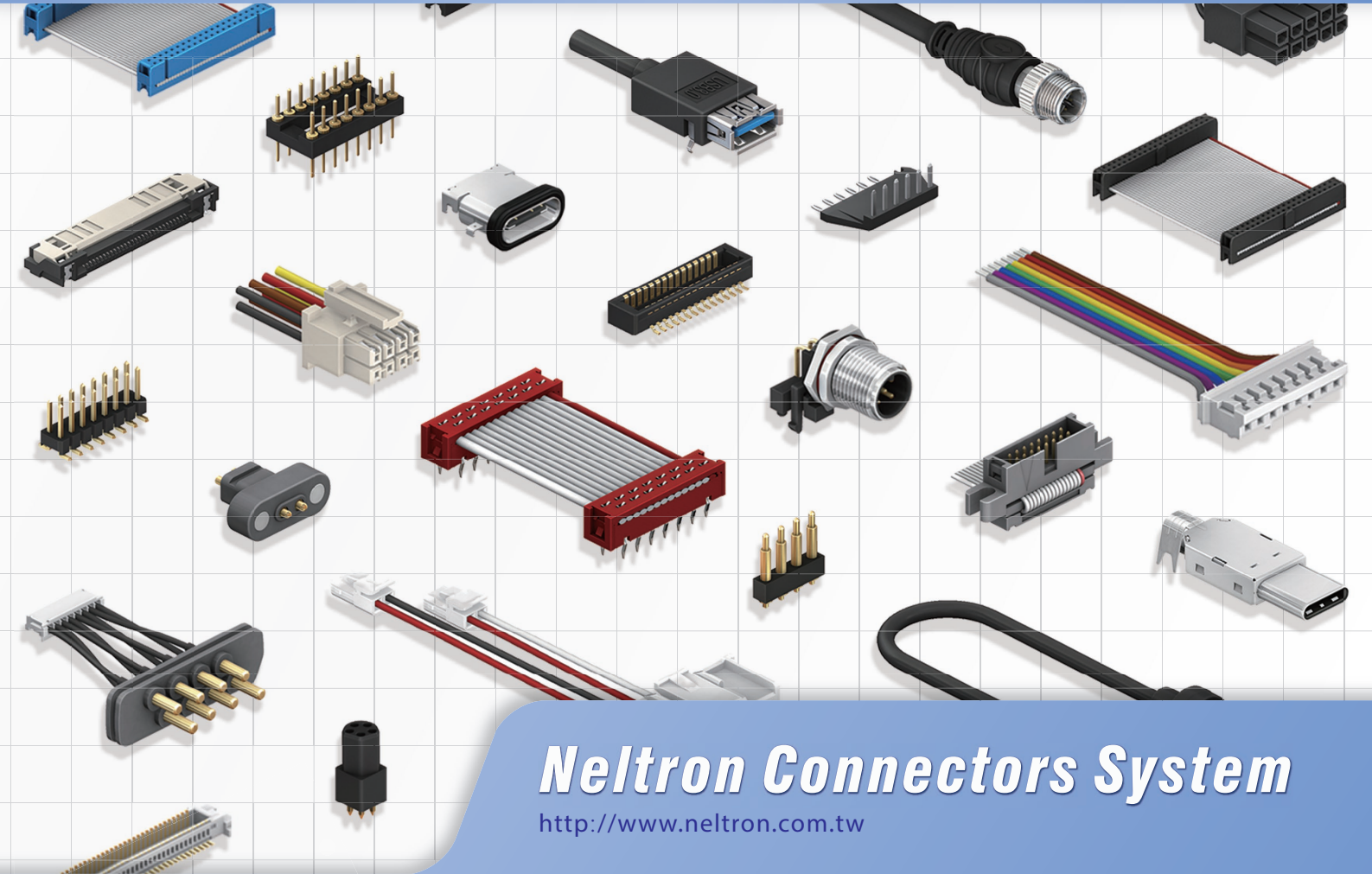




Neltron Industrial Co., Ltd.



Neltron Connectors System

<http://www.neltron.com.tw>

Board To Board Series
M Series Circular Connector
M Series Circular Cable Assembly
& Wire Harness
USB Type-C Series
USB Series
USB Cable & Adapter
Insert Mold Technology
Pin Header & PCB Socket Series
Press-Fit Series

Box & Shrouded Header Series
IDC Series
IDC Flat Cable Assembly
Wire To Board Series
Wire To Wire Series
Multi-Color Wire Harness
FPC / FFC Connector Series
Machine Pin Series
Pogo Pin Series
Cable Assembly

CATALOG

Board To Board Series

0.40mm	1
0.50mm	1-4
0.635mm	4-5
0.80mm	5-7
1.00mm	7-9
1.27mm	9-12

M Series Circular Connector

M5	13
M8	13-14
M12	14-16
M16	16
M20	16-17
M Series Mating View	17

M Series Circular Cable Assembly & Wire Harness

M5	18
M8	18
M12	18-19
M16	19
M20	19
M5 / M8 / M12 / M16 / M20 Wire Harness	20

USB Type-C Series

Right Angle Type	21-22
Straight Type	22-23
Clip Type	23
UP-Right Angle Type	23
Type-C & Type-A Straight Type	23

USB Series

Type-A USB	24
Type-B USB	25
Mini USB	25
Micro USB	25

USB Cable & Adapter

USB Adapter	26
USB Type-C Cable	26
USB Type-A / Type-B / Type-C / Micro / HDMI Cable	27-28

Insert Mold Technology

Insert Mold Technology	29-30
------------------------	-------

Pin Header & PCB Socket Series

1.00mm	31
1.27mm	31-32
1.27x2.54mm	33-34
2.00mm	34-38
2.2x3.8mm	38
2.4x3.5mm	38
2.50mm	38-39
2.54mm	39-45
3.96mm	45

Press-Fit Series

2.54mm	46-48
3.50mm	47
4.00mm	47-48

Box & Shrouded Header Series

1.27X1.27mm	49-50
1.27X2.54mm	50
2.00mm	50-52
2.54mm	52-54

IDC Series

1.27mm	55
2.00mm	55
2.54mm	56-58

IDC Flat Cable Assembly

1.27mm	59
2.00mm	59
2.54mm	59

Wire To Board Series

0.80mm	60
1.00mm	60
1.20mm	61
1.25mm	61-62
1.50mm	62
2.00mm	62-65
2.20mm	65
2.50mm	65-68
2.54mm	68-70
3.00mm	70
3.50mm	71
3.96mm	71-72
4.00mm	72
4.20mm	72-73
5.00mm	73
5.08mm	73-74
5.70mm	74
5.0-7.5mm	74
8.0-10.0mm	74
10.0mm	75

CATALOG

Wire to Wire Series

1.30 / 1.58 / 2.00 / 2.36mm (Dia.)	76
2.50mm	77
5.00mm	77
5.08mm	77
6.00mm	77
6.35mm	77-78
10.00mm	78

Multi-Color Wire Harness

2.00mm	79
2.50mm	79
2.54mm	79

FPC / FFC Connector Series

0.50mm	80
1.00mm	80
1.25mm	80-81

Machine Pin Series

1.00mm	82
1.27mm	82-83
1.778mm	83,85
2.00mm	83
2.54mm	84-85

Pogo Pin Series

Double Springs Type	86
Through Hole Type	86
SMT Type	86-87
Solder Type	86-87

Cable Assembly

Cable Assembly	88-91
----------------	-------

Board To Board Series

0.40 / 0.50mm

UNIT : mm

2004P-XXG-H09		2004S-XXG-H09	
RoHS Compliant	RoHS Compliant	Mating Height Drawing (Ref)	

2004P-XXG-H09
No. of Contacts
Plug Type

2004S-XXG-H09
No. of Contacts
Socket Type

2004P & 2004S Series:
0.40mm Board To Board Plug &
Socket Connector.

Application:
0.40mm Board To Board Plug &
Socket Mating Height 0.90mm
SMD Type.

2004P-XXG-A114		2004S-XXG-A145	
RoHS Compliant	RoHS Compliant	Mating Height Drawing (Ref)	

2004P-XXG-A114
114=1.14mm
No. of Contacts
Plug Type

2004S-XXG-A145
145=1.45mm
No. of Contacts
Socket Type

2004P & 2004S Series:
0.40mm Board To Board Plug &
Socket Connector A Type.

Application:
0.40mm Board To Board Plug &
Socket Mating Height 1.50mm
SMD A Type.

2004P-XXG-A114		2004S-XXG-A195	
RoHS Compliant	RoHS Compliant	Mating Height Drawing (Ref)	

2004P-XXG-A114
114=1.14mm
No. of Contacts
Plug Type

2004S-XXG-A195
195=1.95mm
No. of Contacts
Socket Type

2004P & 2004S Series:
0.40mm Board To Board Plug &
Socket Connector A Type.

Application:
0.40mm Board To Board Plug &
Socket Mating Height 2.00mm
SMD A Type.

2000P-XXG-240-020		2001S-XXG-220-020	
RoHS Compliant	RoHS Compliant	Mating Height Drawing (Ref)	

2000P-XXG-240-020
Product Code
Total Height
240=2.40mm
No. of Contacts
Plug Type

2001S-XXG-220-020
Product Code
Total Height
220=2.20mm
No. of Contacts
Socket Type

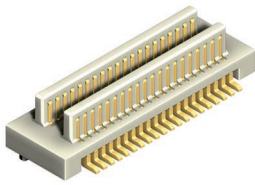
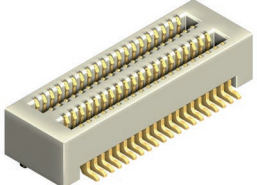
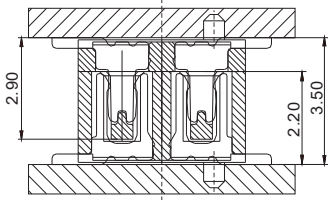
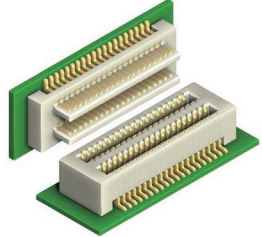
2000P & 2001S Series:
0.50mm Board To Board Plug &
Socket Connector 020 Type.

Application:
0.50mm Board To Board Plug &
Socket Mating Height 3.00mm
SMD 020 Type.

Board To Board Series

0.50mm

UNIT : mm

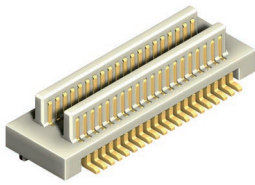
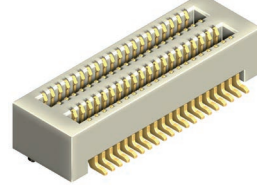
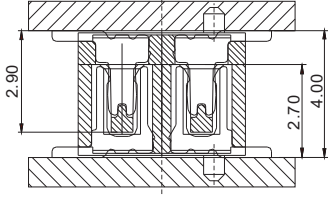
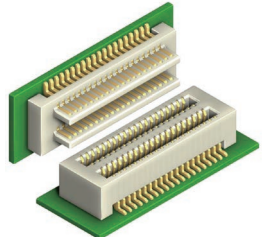
2000P-XXG-290-020	2001S-XXG-220-020		
			
RoHS Compliant	RoHS Compliant	Mating Height Drawing (Ref)	

2000P-XXG-290-020
 Product Code
 Total Height
 290=2.90mm
 No. of Contacts
 Plug Type

2001S-XXG-220-020
 Product Code
 Total Height
 220=2.20mm
 No. of Contacts
 Socket Type

2000P & 2001S Series:
 0.50mm Board To Board Plug &
 Socket Connector 020 Type.

Application:
 0.50mm Board To Board Plug &
 Socket Mating Height 3.50mm
 SMD 020 Type.

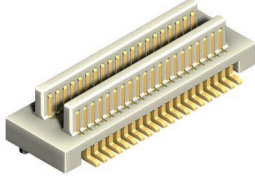
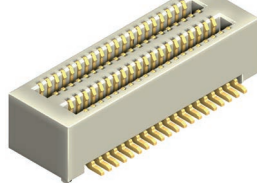
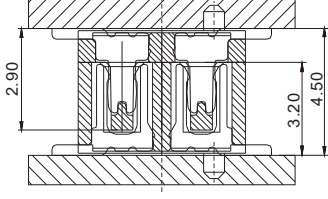
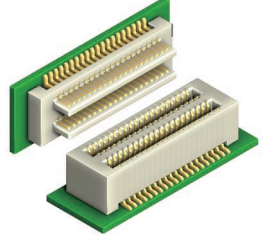
2000P-XXG-290-020	2001S-XXG-270-020		
			
RoHS Compliant	RoHS Compliant	Mating Height Drawing (Ref)	

2000P-XXG-290-020
 Product Code
 Total Height
 290=2.90mm
 No. of Contacts
 Plug Type

2001S-XXG-270-020
 Product Code
 Total Height
 270=2.70mm
 No. of Contacts
 Socket Type

2000P & 2001S Series:
 0.50mm Board To Board Plug &
 Socket Connector 020 Type.

Application:
 0.50mm Board To Board Plug &
 Socket Mating Height 4.00mm
 SMD 020 Type.

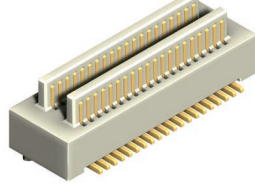
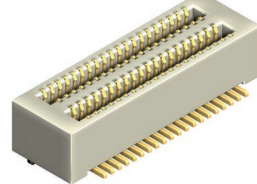
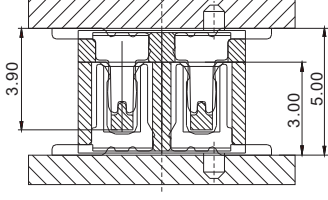
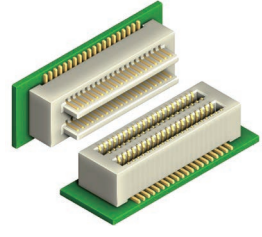
2000P-XXG-290-020	2001S-XXG-320-020		
			
RoHS Compliant	RoHS Compliant	Mating Height Drawing (Ref)	

2000P-XXG-290-020
 Product Code
 Total Height
 290=2.90mm
 No. of Contacts
 Plug Type

2001S-XXG-320-020
 Product Code
 Total Height
 320=3.20mm
 No. of Contacts
 Socket Type

2000P & 2001S Series:
 0.50mm Board To Board Plug &
 Socket Connector 020 Type.

Application:
 0.50mm Board To Board Plug &
 Socket Mating Height 4.50mm
 SMD 020 Type.

2000P-XXG-390-020	2001S-XXG-300-020		
			
RoHS Compliant	RoHS Compliant	Mating Height Drawing (Ref)	

2000P-XXG-390-020
 Product Code
 Total Height
 390=3.90mm
 No. of Contacts
 Plug Type

2001S-XXG-300-020
 Product Code
 Total Height
 300=3.00mm
 No. of Contacts
 Socket Type

2000P & 2001S Series:
 0.50mm Board To Board Plug &
 Socket Connector 020 Type.

Application:
 0.50mm Board To Board Plug &
 Socket Mating Height 5.00mm
 SMD 020 Type.

Board To Board Series

0.50mm

UNIT : mm

2000P-XXG-440-020	2001S-XXG-300-020		
RoHS Compliant	RoHS Compliant	Mating Height Drawing (Ref)	

2000P-XXG-440-020
 Product Code
 Total Height
 440=4.40mm
 No. of Contacts
 Plug Type

2001S-XXG-300-020
 Product Code
 Total Height
 300=3.00mm
 No. of Contacts
 Socket Type

2000P & 2001S Series:
 0.50mm Board To Board Plug &
 Socket Connector 020 Type.

Application:
 0.50mm Board To Board Plug &
 Socket Mating Height 5.50mm
 SMD 020 Type.

2000P-XXG-440-020	2001S-XXG-350-020		
RoHS Compliant	RoHS Compliant	Mating Height Drawing (Ref)	

2000P-XXG-440-020
 Product Code
 Total Height
 440=4.40mm
 No. of Contacts
 Plug Type

2001S-XXG-350-020
 Product Code
 Total Height
 350=3.50mm
 No. of Contacts
 Socket Type

2000P & 2001S Series:
 0.50mm Board To Board Plug &
 Socket Connector 020 Type.

Application:
 0.50mm Board To Board Plug &
 Socket Mating Height 6.00mm
 SMD 020 Type.

2000P-XXG-440-020	2001S-XXG-450-020		
RoHS Compliant	RoHS Compliant	Mating Height Drawing (Ref)	

2000P-XXG-440-020
 Product Code
 Total Height
 440=4.40mm
 No. of Contacts
 Plug Type

2001S-XXG-450-020
 Product Code
 Total Height
 450=4.50mm
 No. of Contacts
 Socket Type

2000P & 2001S Series:
 0.50mm Board To Board Plug &
 Socket Connector 020 Type.

Application:
 0.50mm Board To Board Plug &
 Socket Mating Height 7.00mm
 SMD Type..

2000P-XXG-440-020	2001S-XXG-550-020		
RoHS Compliant	RoHS Compliant	Mating Height Drawing (Ref)	

2000P-XXG-440-020
 Product Code
 Total Height
 440=4.40mm
 No. of Contacts
 Plug Type

2001S-XXG-550-020
 Product Code
 Total Height
 550=5.50mm
 No. of Contacts
 Socket Type

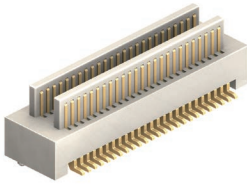
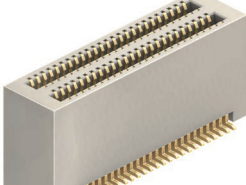
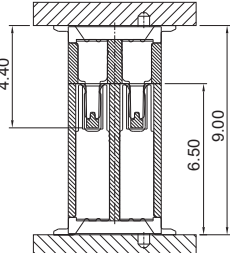
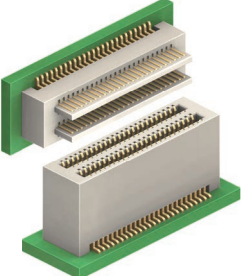
2000P & 2001S Series:
 0.50mm Board To Board Plug &
 Socket Connector 020 Type.

Application:
 0.50mm Board To Board Plug &
 Socket Mating Height 8.00mm
 SMD Type.

Board To Board Series

0.50 / 0.635mm

UNIT : mm

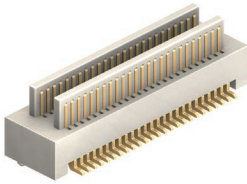
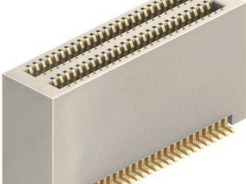
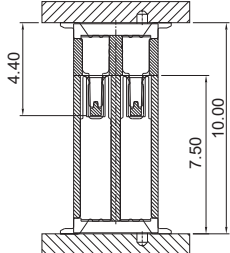
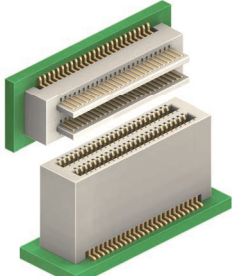
2000P-XXG-440-020	2001S-XXG-650-020		
			
RoHS Compliant	RoHS Compliant	Mating Height Drawing (Ref)	

2000P-XXG-440-020
 Product Code
 Total Height
 440=4.40mm
 No. of Contacts
 Plug Type

2001S-XXG-650-020
 Product Code
 Total Height
 650=6.50mm
 No. of Contacts
 Socket Type

2000P & 2001S Series:
 0.50mm Board To Board Plug &
 Socket Connector 020 Type.

Application:
 0.50mm Board To Board Plug &
 Socket Mating Height 9.00mm
 SMD 020 Type.

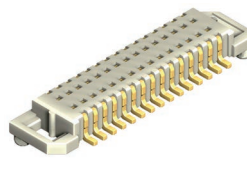
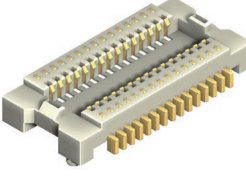
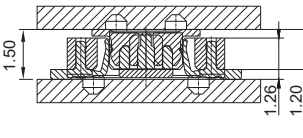
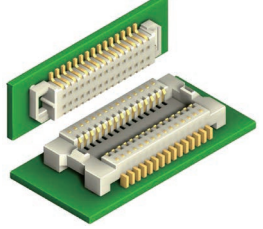
2000P-XXG-440-020	2001S-XXG-750-020		
			
RoHS Compliant	RoHS Compliant	Mating Height Drawing (Ref)	

2000P-XXG-440-020
 Product Code
 Total Height
 440=4.40mm
 No. of Contacts
 Plug Type

2001S-XXG-750-020
 Product Code
 Total Height
 750=7.50mm
 No. of Contacts
 Socket Type

2000P & 2001S Series:
 0.50mm Board To Board Plug &
 Socket Connector 020 Type.

Application:
 0.50mm Board To Board Plug &
 Socket Mating Height 10.00mm
 SMD 020 Type.

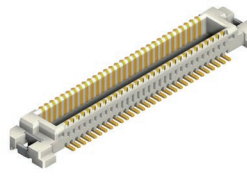

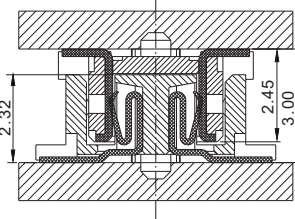
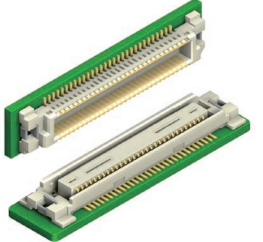
2000P-XXG-120	2001S-XXG-126		
			
RoHS Compliant	RoHS Compliant	Mating Height Drawing (Ref)	

2000P-XXG-120
 Total Height
 120=1.20mm
 No. of Contacts
 Plug Type

2001S-XXG-126
 Total Height
 126=1.26mm
 No. of Contacts
 Socket Type

2000P & 2001S Series:
 0.50mm Board To Board Plug &
 Socket Connector Type.

Application:
 0.50mm Board To Board Plug &
 Socket Mating Height 1.50mm
 SMD Type..

2063P-XXG-245	2063S-XXG-232		
			
RoHS Compliant	RoHS Compliant	Mating Height Drawing (Ref)	

2063P-XXG-245
 Total Height
 245=2.45mm
 No. of Contacts
 Plug Type

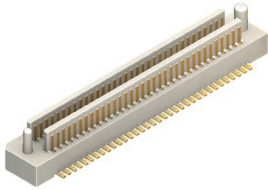
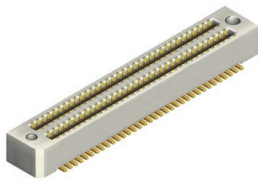
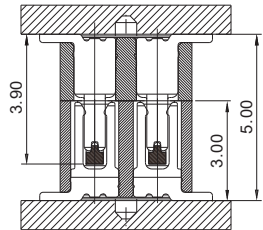
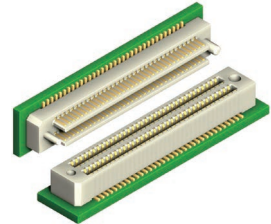
2063S-XXG-232
 Total Height
 232=2.32mm
 No. of Contacts
 Socket Type

2063P & 2063S Series:
 0.635mm Board To Board Plug &
 Socket Connector.

Application:
 0.635mm Board To Board Plug &
 Socket Mating Height 3.00mm
 SMD Type.

0.635 / 0.80mm

UNIT : mm

2063P-XXSG-390020APG	2063S-XXSG300020AHEM		
			
RoHS Compliant	RoHS Compliant	Mating Height Drawing (Ref)	

2063P-XXSG-390020APG

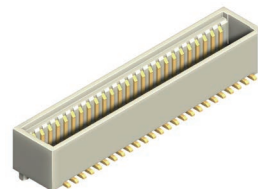
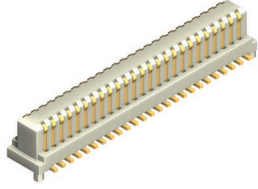
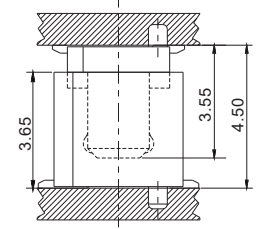
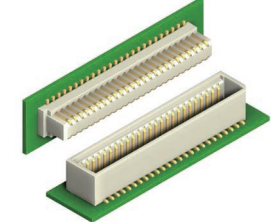
- With Peg
- Terminal T: 0.30mm
- 020 Type
- Height 3.9mm
- Selective Gold Plated
- No. of Contacts
- Plug Type

2063S-XXSG300020AHEM

- M:With Capton
- Terminal T: 0.30mm
- 020 Type
- Height 3.00mm
- Selective Gold Plated
- No. of Contacts
- Socket Type

2063P & 2063S Series:
0.635mm Board To Board Plug & Socket Connector.

Application:
0.635mm Board To Board Plug & Socket Mating Height 5.00mm SMD Type.

2011-XXG-365	2010-XXG-355		
			
RoHS Compliant	RoHS Compliant	Mating Height Drawing (Ref)	

2011-XXG-365

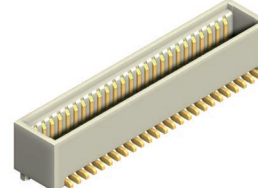
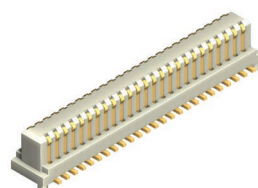
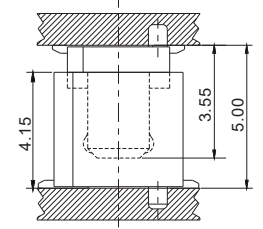
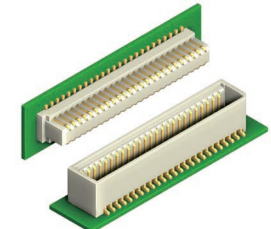
- Total Height 365=3.65mm
- No. of Contacts
- Plug Type

2010-XXG-355

- Total Height 355=3.55mm
- No. of Contacts
- Socket Type

2011 & 2010 Series:
0.80mm Board To Board Plug & Socket Connector.

Application:
0.80mm Board To Board Plug & Socket Mating Height 4.50mm SMD Type.

2011-XXG-415	2010-XXG-355		
			
RoHS Compliant	RoHS Compliant	Mating Height Drawing (Ref)	

2011-XXG-415

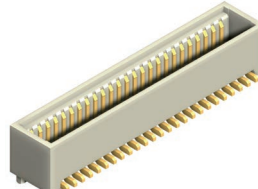
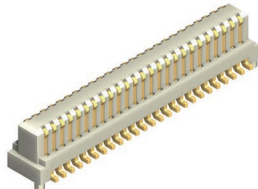
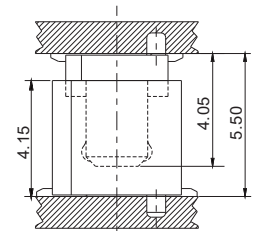
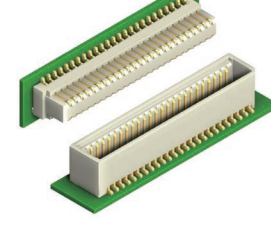
- Total Height 415=4.15mm
- No. of Contacts
- Plug Type

2010-XXG-355

- Total Height 355=3.55mm
- No. of Contacts
- Socket Type

2011 & 2010 Series:
0.80mm Board To Board Plug & Socket Connector.

Application:
0.80mm Board To Board Plug & Socket Mating Height 5.00mm SMD Type.

2011-XXG-415	2010-XXG-405		
			
RoHS Compliant	RoHS Compliant	Mating Height Drawing (Ref)	

2011-XXG-415

- Total Height 415=4.15mm
- No. of Contacts
- Plug Type

2010-XXG-405

- Total Height 405=4.05mm
- No. of Contacts
- Socket Type

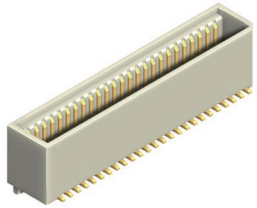
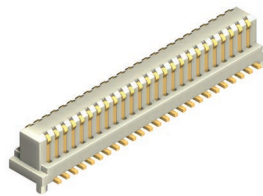
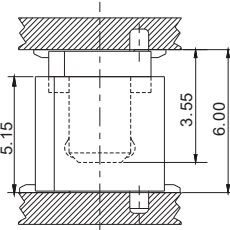
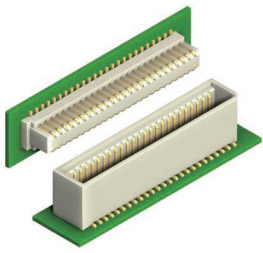
2011 & 2010 Series:
0.80mm Board To Board Plug & Socket Connector.

Application:
0.80mm Board To Board Plug & Socket Mating Height 5.50mm SMD Type.

Board To Board Series

0.80mm

UNIT : mm

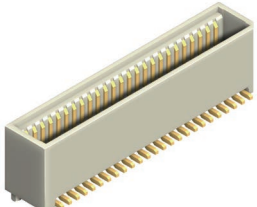
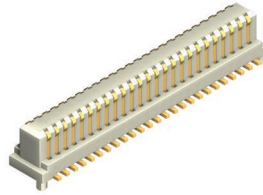
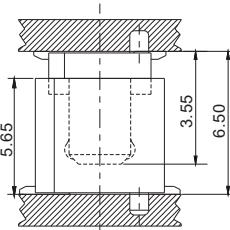
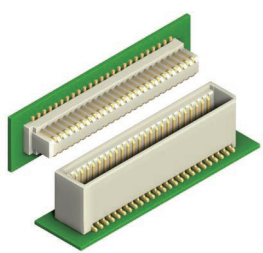
2011-XXG-515	2010-XXG-355		
			
RoHS Compliant	RoHS Compliant	Mating Height Drawing (Ref)	

2011-XXG-515
 Total Height 515=5.15mm
 No. of Contacts
 Plug Type

2010-XXG-355
 Total Height 355=3.55mm
 No. of Contacts
 Socket Type

2011 & 2010 Series:
 0.80mm Board To Board Plug & Socket Connector.

Application:
 0.80mm Board To Board Plug & Socket Mating Height 6.00mm SMD Type.

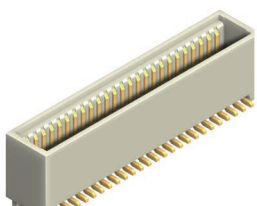
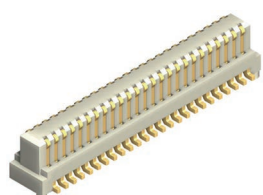
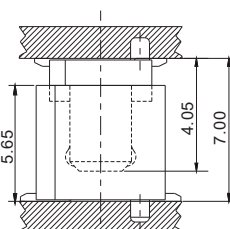
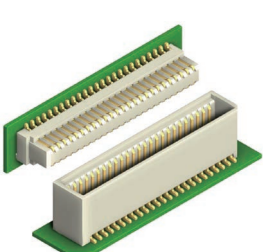
2011-XXG-565	2010-XXG-355		
			
RoHS Compliant	RoHS Compliant	Mating Height Drawing (Ref)	

2011-XXG-565
 Total Height 565=5.65mm
 No. of Contacts
 Plug Type

2010-XXG-355
 Total Height 355=3.55mm
 No. of Contacts
 Socket Type

2011 & 2010 Series:
 0.80mm Board To Board Plug & Socket Connector.

Application:
 0.80mm Board To Board Plug & Socket Mating Height 6.50mm SMD Type.

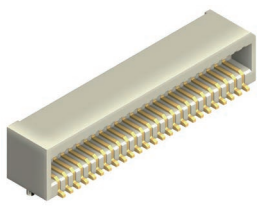
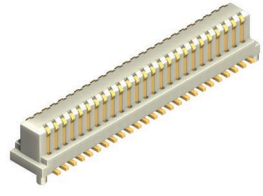
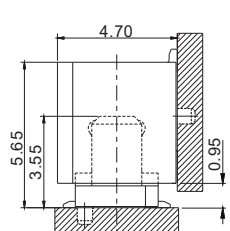
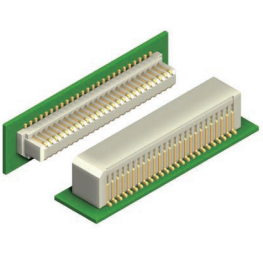
2011-XXG-565	2010-XXG-405		
			
RoHS Compliant	RoHS Compliant	Mating Height Drawing (Ref)	

2011-XXG-565
 Total Height 565=5.65mm
 No. of Contacts
 Plug Type

2010-XXG-405
 Total Height 405=4.05mm
 No. of Contacts
 Socket Type

2011 & 2010 Series:
 0.80mm Board To Board Plug & Socket Connector.

Application:
 0.80mm Board To Board Plug & Socket Mating Height 7.00mm SMD Type.

2011R-XXG-470-PC	2010-XXG-355		
			
RoHS Compliant	RoHS Compliant	Mating Height Drawing (Ref)	

2011R-XXG-470-PC
 Blank: Without Post
 PC: Post In The Center
 Total Height 470=4.70mm
 No. of Contacts
 Plug Right Angle Type

2010-XXG-355
 Total Height 355=3.55mm
 No. of Contacts
 Socket Type

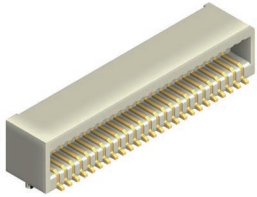
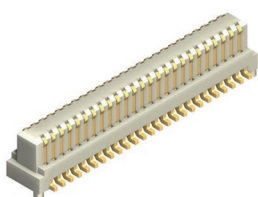
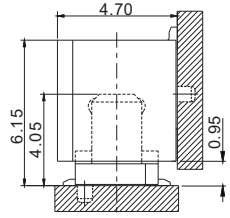
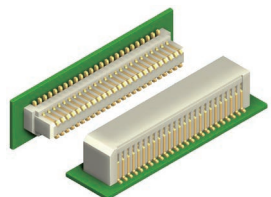
2011R & 2010 Series:
 0.80mm Board To Board Plug & Socket Connector.

Application:
 0.80mm Board To Board Plug & Socket Mating Height 5.65mm SMD Type.

Board To Board Series

0.80 / 1.00mm

UNIT : mm

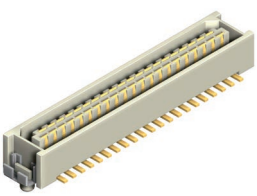
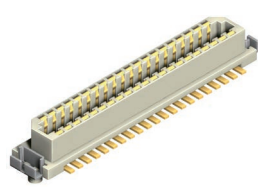
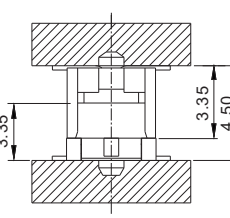

2011R-XXG-470-PC		2010-XXG-405	
			
RoHS Compliant	RoHS Compliant	Mating Height Drawing (Ref)	

2011R-XXG-470-PC
 Blank: Without Post
 PC: Post In The Center
 Total Height
 470=4.70mm
 No. of Contacts
 Plug Right Angle Type

2010-XXG-405
 Total Height
 405=4.05mm
 No. of Contacts
 Socket Type

2011R & 2010 Series:
 0.80mm Board To Board Plug &
 Socket Connector.

Application:
 0.80mm Board To Board Plug &
 Socket Mating Height 6.15mm
 SMD Type.

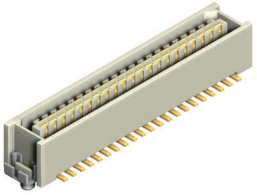
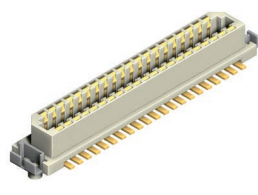
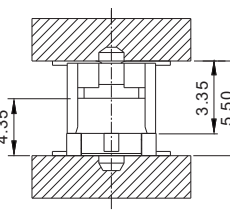
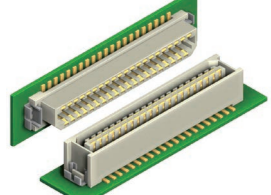
2005P-XXG-335		2005S-XXG-335	
			
RoHS Compliant	RoHS Compliant	Mating Height Drawing (Ref)	

2005P-XXG-335
 Total Height
 335=3.35mm
 No. of Contacts
 Plug Type

2005S-XXG-335
 Total Height
 335=3.35mm
 No. of Contacts
 Socket Type

2005P & 2005S Series:
 1.00mm Board To Board Plug &
 Socket Connector.

Application:
 1.00mm Board To Board Plug &
 Socket Mating Height 4.50mm
 SMD Type.

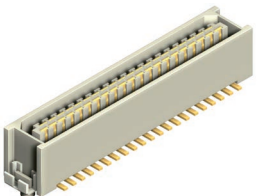
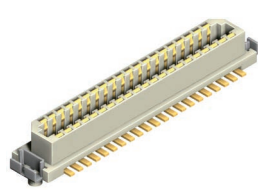
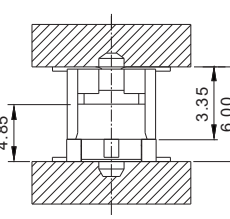
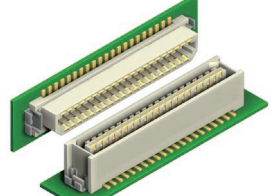
2005P-XXG-435		2005S-XXG-335	
			
RoHS Compliant	RoHS Compliant	Mating Height Drawing (Ref)	

2005P-XXG-435
 Total Height
 435=4.35mm
 No. of Contacts
 Plug Type

2005S-XXG-335
 Total Height
 335=3.35mm
 No. of Contacts
 Socket Type

2005P & 2005S Series:
 1.00mm Board To Board Plug &
 Socket Connector.

Application:
 1.00mm Board To Board Plug &
 Socket Mating Height 5.50mm
 SMD Type.

2005P-XXG-485		2005S-XXG-335	
			
RoHS Compliant	RoHS Compliant	Mating Height Drawing (Ref)	

2005P-XXG-485
 Total Height
 485=4.85mm
 No. of Contacts
 Plug Type

2005S-XXG-335
 Total Height
 335=3.35mm
 No. of Contacts
 Socket Type

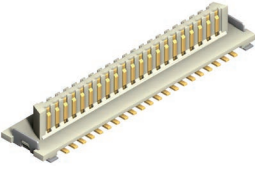
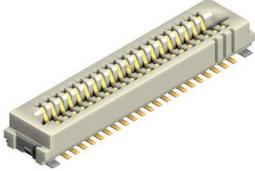
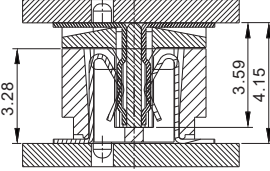
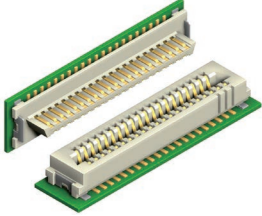
2005P & 2005S Series:
 1.00mm Board To Board Plug &
 Socket Connector.

Application:
 1.00mm Board To Board Plug &
 Socket Mating Height 6.00mm
 SMD Type.

Board To Board Series

1.00mm

UNIT : mm

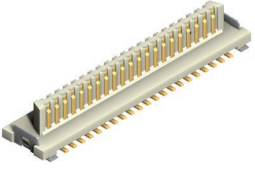
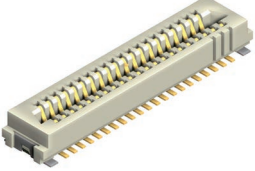
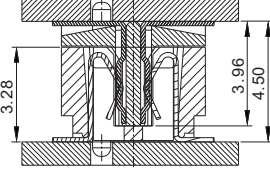
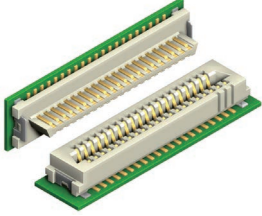
2005P-XXG-359	2005S-XXG-328		
			
RoHS Compliant	RoHS Compliant	Mating Height Drawing (Ref)	

2005P-XXG-359
 Total Height 359=3.59mm
 No. of Contacts
 Plug Type

2005S-XXG-328
 Total Height 328=3.28mm
 No. of Contacts
 Socket Type

2005P & 2005S Series:
 1.00mm Board To Board Plug & Socket Connector.

Application:
 1.00mm Board To Board Plug & Socket Mating Height 4.15mm SMD Type.

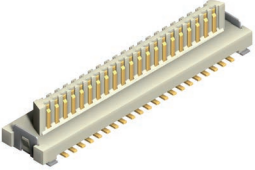
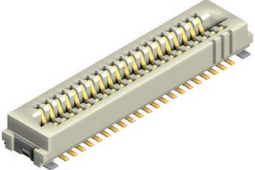
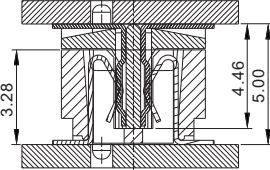
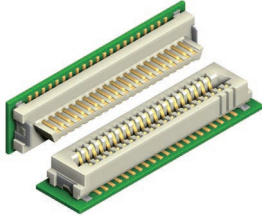
2005P-XXG-396	2005S-XXG-328		
			
RoHS Compliant	RoHS Compliant	Mating Height Drawing (Ref)	

2005P-XXG-396
 Total Height 396=3.96mm
 No. of Contacts
 Plug Type

2005S-XXG-328
 Total Height 328=3.28mm
 No. of Contacts
 Socket Type

2005P & 2005S Series:
 1.00mm Board To Board Plug & Socket Connector.

Application:
 1.00mm Board To Board Plug & Socket Mating Height 4.50mm SMD Type.

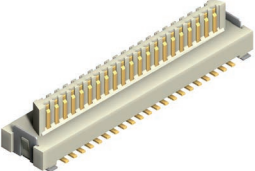
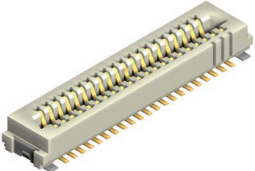
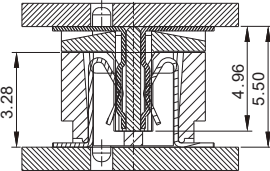
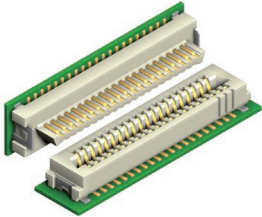
2005P-XXG-446	2005S-XXG-328		
			
RoHS Compliant	RoHS Compliant	Mating Height Drawing (Ref)	

2005P-XXG-446
 Total Height 446=4.46mm
 No. of Contacts
 Plug Type

2005S-XXG-328
 Total Height 328=3.28mm
 No. of Contacts
 Socket Type

2005P & 2005S Series:
 1.00mm Board To Board Plug & Socket Connector.

Application:
 1.00mm Board To Board Plug & Socket Mating Height 5.00mm SMD Type.

2005P-XXG-496	2005S-XXG-328		
			
RoHS Compliant	RoHS Compliant	Mating Height Drawing (Ref)	

2005P-XXG-496
 Total Height 496=4.96mm
 No. of Contacts
 Plug Type

2005S-XXG-328
 Total Height 328=3.28mm
 No. of Contacts
 Socket Type

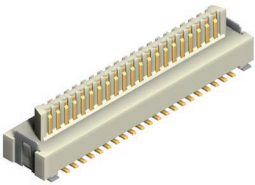
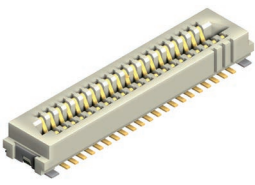
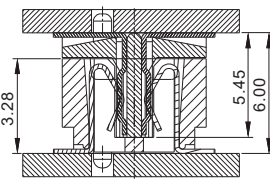
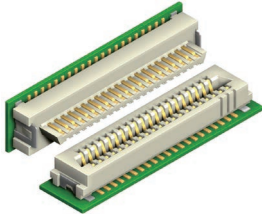
2005P & 2005S Series:
 1.00mm Board To Board Plug & Socket Connector.

Application:
 1.00mm Board To Board Plug & Socket Mating Height 5.50mm SMD Type.

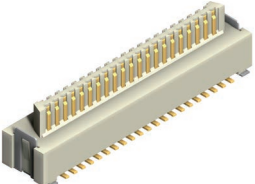
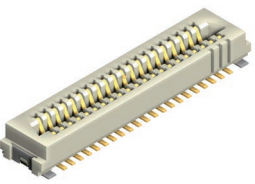
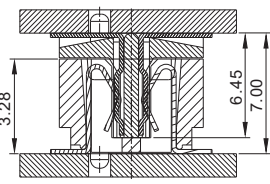
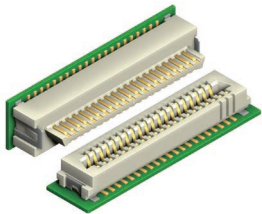
Board To Board Series

1.00 / 1.27mm

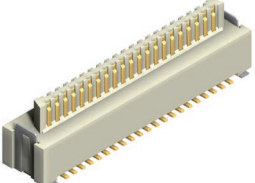
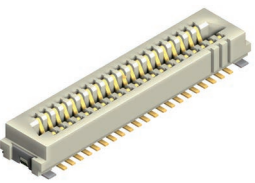
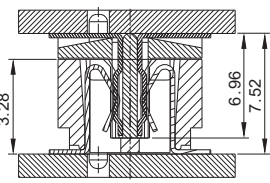
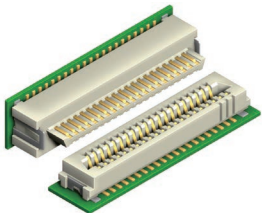
UNIT : mm

2005P-XXG-545	2005S-XXG-328		
			
RoHS Compliant	RoHS Compliant	Mating Height Drawing (Ref)	



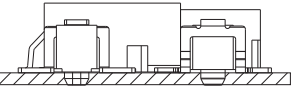

<p>2005P-XXG-545</p> <ul style="list-style-type: none"> — Total Height 545=5.45mm — No. of Contacts — Plug Type 	<p>2005S-XXG-328</p> <ul style="list-style-type: none"> — Total Height 328=3.28mm — No. of Contacts — Socket Type 	<p>2005P & 2005S Series: 1.00mm Board To Board Plug & Socket Connector.</p>	<p>Application: 1.00mm Board To Board Plug & Socket Mating Height 6.00mm SMD Type.</p>
--	--	---	--

2005P-XXG-645	2005S-XXG-328		
			
RoHS Compliant	RoHS Compliant	Mating Height Drawing (Ref)	

<p>2005P-XXG-645</p> <ul style="list-style-type: none"> — Total Height 645=6.45mm — No. of Contacts — Plug Type 	<p>2005S-XXG-328</p> <ul style="list-style-type: none"> — Total Height 328=3.28mm — No. of Contacts — Socket Type 	<p>2005P & 2005S Series: 1.00mm Board To Board Plug & Socket Connector.</p>	<p>Application: 1.00mm Board To Board Plug & Socket Mating Height 7.00mm SMD Type.</p>
--	--	---	--

2005P-XXG-696	2005S-XXG-328		
			
RoHS Compliant	RoHS Compliant	Mating Height Drawing (Ref)	

<p>2005P-XXG-696</p> <ul style="list-style-type: none"> — Total Height 696=6.96mm — No. of Contacts — Plug Type 	<p>2005S-XXG-328</p> <ul style="list-style-type: none"> — Total Height 328=3.28mm — No. of Contacts — Socket Type 	<p>2005P & 2005S Series: 1.00mm Board To Board Plug & Socket Connector.</p>	<p>Application: 1.00mm Board To Board Plug & Socket Mating Height 7.52mm SMD Type.</p>
--	--	---	--

2127P-XXG-SMR-TR	2127S-XXG-SMR-TR		
			
RoHS Compliant	RoHS Compliant	Mating Height Drawing (Ref)	

<p>2127P-XXG-SMR-TR</p> <ul style="list-style-type: none"> — SMD R/A Type — No. of Contacts — Plug Type 	<p>2127S-XXG-SMR-TR</p> <ul style="list-style-type: none"> — SMD R/A Type — No. of Contacts — Socket Type 	<p>2127P & 2127S Series: 1.27mm Board To Board Plug & Socket Connector.</p>	<p>Application: 1.27mm Board To Board Plug & Socket Mating SMD R/A Type.</p>
--	--	---	--

Board To Board Series

1.27mm

UNIT : mm

2127P-XXG-SM-675-CR	2127S-XXG-SM-625-CR		
RoHS Compliant	RoHS Compliant	Mating Height Drawing (Ref)	

2127P-XXG-SM-675-CR
 Height 675=6.75mm
 No. of Contacts
 Plug Type

2127S-XXG-SM-625-CR
 Height 625=6.25mm
 No. of Contacts
 Socket Type

2127P & 2127S Series:
 1.27mm Board To Board Plug & Socket Connector.

Application:
 1.27mm Board To Board Plug & Socket Mating Height 8.0mm SMD Type.

2127P-XXG-SM-825-CR	2127S-XXG-SM-625-CR		
RoHS Compliant	RoHS Compliant	Mating Height Drawing (Ref)	

2127P-XXG-SM-825-CR
 Height 825=8.25mm
 No. of Contacts
 Plug Type

2127S-XXG-SM-625-CR
 Height 625=6.25mm
 No. of Contacts
 Socket Type

2127P & 2127S Series:
 1.27mm Board To Board Plug & Socket Connector.

Application:
 1.27mm Board To Board Plug & Socket Mating Height 9.5mm SMD Type.

2127P-XXG-SM-675-CR	2127S-XXG-SM-905-CR		
RoHS Compliant	RoHS Compliant	Mating Height Drawing (Ref)	

2127P-XXG-SM-675-CR
 Height 675=6.75mm
 No. of Contacts
 Plug Type

2127S-XXG-SM-905-CR
 Height 905=9.05mm
 No. of Contacts
 Socket Type

2127P & 2127S Series:
 1.27mm Board To Board Plug & Socket Connector.

Application:
 1.27mm Board To Board Plug & Socket Mating Height 10.8mm SMD Type.

2127P-XXG-SM-985-CR	2127S-XXG-SM-625-CR		
RoHS Compliant	RoHS Compliant	Mating Height Drawing (Ref)	

2127P-XXG-SM-985-CR
 Height 985=9.85mm
 No. of Contacts
 Plug Type

2127S-XXG-SM-625-CR
 Height 625=6.25mm
 No. of Contacts
 Socket Type

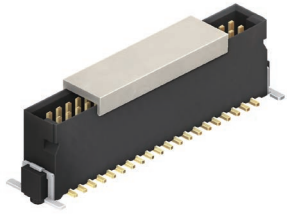
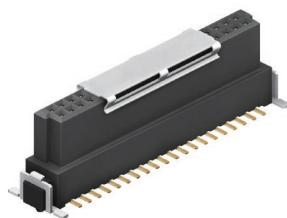
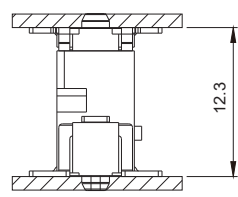
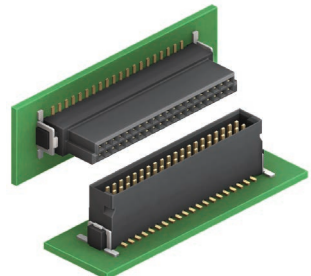
2127P & 2127S Series:
 1.27mm Board To Board Plug & Socket Connector.

Application:
 1.27mm Board To Board Plug & Socket Mating Height 11.1mm SMD Type.

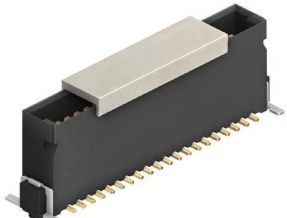
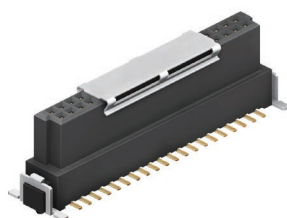
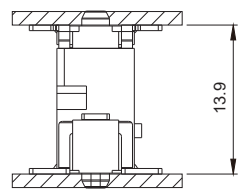
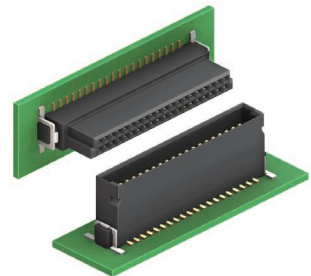
Board To Board Series

1.27mm

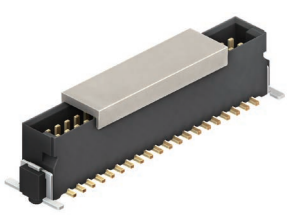
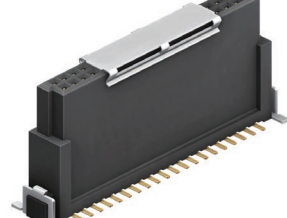
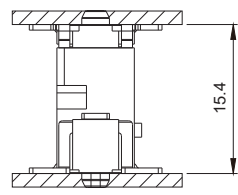
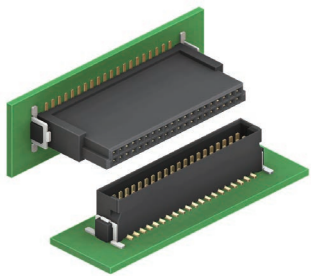
UNIT : mm

2127P-XXG-SM-825-CR		2127S-XXG-SM-905-CR			
					
RoHS Compliant	RoHS Compliant	Mating Height Drawing (Ref)			

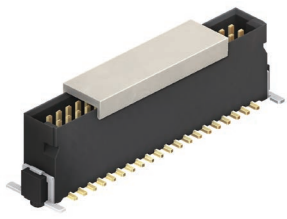
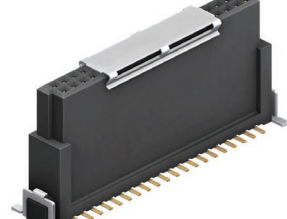
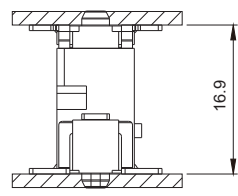
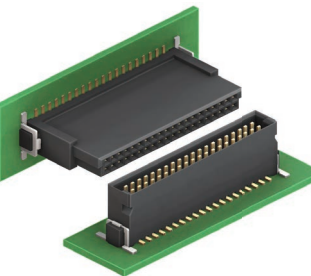
2127P-XXG-SM-825-CR Height 825=8.25mm No. of Contacts Plug Type	2127S-XXG-SM-905-CR Height 905=9.05mm No. of Contacts Socket Type	2127P & 2127S Series: 1.27mm Board To Board Plug & Socket Connector.	Application: 1.27mm Board To Board Plug & Socket Mating Height 12.3mm SMD Type.
--	--	---	--

2127P-XXG-SM-985-CR		2127S-XXG-SM-905-CR			
					
RoHS Compliant	RoHS Compliant	Mating Height Drawing (Ref)			

2127P-XXG-SM-985-CR Height 985=9.85mm No. of Contacts Plug Type	2127S-XXG-SM-905-CR Height 905=9.05mm No. of Contacts Socket Type	2127P & 2127S Series: 1.27mm Board To Board Plug & Socket Connector.	Application: 1.27mm Board To Board Plug & Socket Mating Height 13.9mm SMD Type.
--	--	---	--

2127P-XXG-SM-675-CR		2127S-XXG-SM-1365-CR			
					
RoHS Compliant	RoHS Compliant	Mating Height Drawing (Ref)			

2127P-XXG-SM-675-CR Height 675=6.75mm No. of Contacts Plug Type	2127S-XXG-SM-1365-CR Height 1365=13.65mm No. of Contacts Socket Type	2127P & 2127S Series: 1.27mm Board To Board Plug & Socket Connector.	Application: 1.27mm Board To Board Plug & Socket Mating Height 15.4mm SMD Type.
--	---	---	--

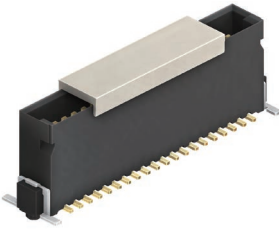

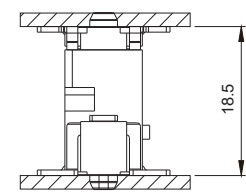
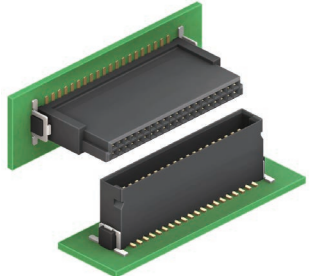
2127P-XXG-SM-825-CR		2127S-XXG-SM-1365-CR			
					
RoHS Compliant	RoHS Compliant	Mating Height Drawing (Ref)			

2127P-XXG-SM-825-CR Height 825=8.25mm No. of Contacts Plug Type	2127S-XXG-SM-1365-CR Height 1365=13.65mm No. of Contacts Socket Type	2127P & 2127S Series: 1.27mm Board To Board Plug & Socket Connector.	Application: 1.27mm Board To Board Plug & Socket Mating Height 16.9mm SMD Type.
--	---	---	--

Board To Board Series

1.27mm

UNIT : mm

2127P-XXG-SM-985-CR	2127S-XXG-SM-1365-CR		
 <p style="text-align: center; color: green;">RoHS Compliant</p>	 <p style="text-align: center; color: green;">RoHS Compliant</p>	 <p style="text-align: center;">Mating Height Drawing (Ref)</p>	
<p>2127P-XXG-SM-985-CR</p> <ul style="list-style-type: none"> — Height 985=9.85mm — No. of Contacts — Plug Type 	<p>2127S-XXG-SM-1365-CR</p> <ul style="list-style-type: none"> — Height 1365=13.65mm — No. of Contacts — Socket Type 	<p>2127P & 2127S Series: 1.27mm Board To Board Plug & Socket Connector.</p> <p>Application: 1.27mm Board To Board Plug & Socket Mating Height 18.5mm SMD Type.</p>	

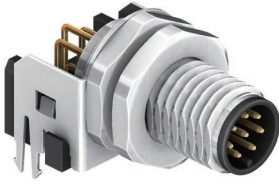
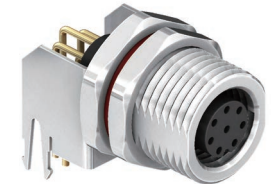






M Series Circular Connector

M5 / M8
UNIT : mm

<p>120505-XXP-FA-PM</p>  <p>RoHS Compliant</p>	<p>120505-XXS-FA-PM</p>  <p>RoHS Compliant</p>	<p>120505-XXP-FA-PB</p>  <p>RoHS Compliant</p>	<p>120505-XXS-FA-PB</p>  <p>RoHS Compliant</p>
<p>120505-XXP-FA-PM</p> <ul style="list-style-type: none"> Panel Mount Solder A Coding Front Fastened Plug No. of Contacts 05:M5 Series 	<p>120505-XXS-FA-PM</p> <ul style="list-style-type: none"> Panel Mount Solder A Coding Front Fastened Socket No. of Contacts 05:M5 Series 	<p>120505-XXP-FA-PB</p> <ul style="list-style-type: none"> Panel Mount PCB Dip A Coding Front Fastened Plug No. of Contacts 05:M5 Series 	<p>120505-XXS-FA-PB</p> <ul style="list-style-type: none"> Panel Mount PCB Dip A Coding Front Fastened Socket No. of Contacts 05:M5 Series
<p>120505-XXP-FA-PBS</p>  <p>RoHS Compliant</p>	<p>120505-XXS-FA-PBS</p>  <p>RoHS Compliant</p>	<p>120505-XXP-RA-PM</p>  <p>RoHS Compliant</p>	<p>120505-XXS-RA-PM</p>  <p>RoHS Compliant</p>
<p>120505-XXP-FA-PBS</p> <ul style="list-style-type: none"> Panel Mount PCB Dip With Shielding A Coding Front Fastened Plug No. of Contacts 05:M5 Series 	<p>120505-XXS-FA-PBS</p> <ul style="list-style-type: none"> Panel Mount PCB Dip With Shielding A Coding Front Fastened Socket No. of Contacts 05:M5 Series 	<p>120505-XXP-RA-PM</p> <ul style="list-style-type: none"> Panel Mount Solder A Coding Rear Fastened Plug No. of Contacts 05:M5 Series 	<p>120505-XXS-RA-PM</p> <ul style="list-style-type: none"> Panel Mount Solder A Coding Rear Fastened Socket No. of Contacts 05:M5 Series
<p>120508-XXP-FX-PM</p>  <p>RoHS Compliant</p>	<p>120508-XXP-FX-PM4</p>  <p>RoHS Compliant</p>	<p>120508-XXS-FX-PM4</p>  <p>RoHS Compliant</p>	<p>120508-XXP-FX-PB</p>  <p>RoHS Compliant</p>
<p>120508-XXP-FX-PM</p> <ul style="list-style-type: none"> Panel Mount Solder A Coding, B Coding Front Fastened Plug No. of Contacts 08:M8 Series 	<p>120508-XXP-FX-PM4</p> <ul style="list-style-type: none"> Panel Mount Solder A Coding, B Coding Front Fastened Plug No. of Contacts 08:M8 Series 	<p>120508-XXS-FX-PM4</p> <ul style="list-style-type: none"> Panel Mount Solder A Coding, B Coding Front Fastened Socket No. of Contacts 08:M8 Series 	<p>120508-XXP-FX-PB</p> <ul style="list-style-type: none"> Panel Mount PCB Dip A Coding, B Coding Front Fastened Plug No. of Contacts 08:M8 Series
<p>120508-XXP-FX-PB4</p>  <p>RoHS Compliant</p>	<p>120508-XXS-FX-PB4</p>  <p>RoHS Compliant</p>	<p>120508-XXP-RX-PM</p>  <p>RoHS Compliant</p>	<p>120508-XXS-RX-PM</p>  <p>RoHS Compliant</p>
<p>120508-XXP-FX-PB4</p> <ul style="list-style-type: none"> Panel Mount PCB Dip A Coding, B Coding Front Fastened Plug No. of Contacts 08:M8 Series 	<p>120508-XXS-FX-PB4</p> <ul style="list-style-type: none"> Panel Mount PCB Dip A Coding, B Coding Front Fastened Socket No. of Contacts 08:M8 Series 	<p>120508-XXP-RX-PM</p> <ul style="list-style-type: none"> Panel Mount Solder A Coding, B Coding Rear Fastened Plug No. of Contacts 08:M8 Series 	<p>120508-XXS-RX-PM</p> <ul style="list-style-type: none"> Panel Mount Solder A Coding, B Coding Rear Fastened Socket No. of Contacts 08:M8 Series

M Series Circular Connector

M8 / M12
UNIT : mm

<p>120508R-XXP-FX-PBS</p>  <p>RoHS Compliant</p>	<p>120508R-XXS-FX-PBS</p>  <p>RoHS Compliant</p>	<p>120508-XXP-X-MM</p>  <p>RoHS Compliant</p>	<p>120508-XXS-X-MM</p>  <p>RoHS Compliant</p>
<p>120508R-XXP-FX-PBS</p> <ul style="list-style-type: none"> Panel Mount PCB Dip With Shielding A Coding, B Coding Front Fastened Plug No. of Contacts Right Angle 08:M8 Series 	<p>120508R-XXS-FX-PBS</p> <ul style="list-style-type: none"> Panel Mount PCB Dip With Shielding A Coding, B Coding Front Fastened Socket No. of Contacts Right Angle 08:M8 Series 	<p>120508-XXP-X-MM</p> <ul style="list-style-type: none"> Solder Molded Type A Coding, B Coding Plug No. of Contacts 08:M8 Series 	<p>120508-XXS-X-MM</p> <ul style="list-style-type: none"> Solder Molded Type A Coding, B Coding Socket No. of Contacts 08:M8 Series
<p>120508-03S-A-PB15-TR</p>  <p>RoHS Compliant</p>	<p>120508-04S-A-PB15-TR</p>  <p>RoHS Compliant</p>	<p>120508-05S-B-PB15-TR</p>  <p>RoHS Compliant</p>	<p>120508R-XXP-A-AC</p>  <p>RoHS Compliant</p>
<p>120508-03S-A-PB15-TR</p> <ul style="list-style-type: none"> Tape & Reel 15u"Gold Plated PCB Dip A Coding Socket No. of Contacts 08:M8 Series 	<p>120508-04S-A-PB15-TR</p> <ul style="list-style-type: none"> Tape & Reel 15u"Gold Plated PCB Dip A Coding Socket No. of Contacts 08:M8 Series 	<p>120508-05S-B-PB15-TR</p> <ul style="list-style-type: none"> Tape & Reel 15u"Gold Plated PCB Dip B Coding Socket No. of Contacts 08:M8 Series 	<p>120508R-XXP-A-AC</p> <ul style="list-style-type: none"> Assembly Crimp A Coding Plug No. of Contacts 08:M8 Series
<p>120508R-XXS-A-AC</p>  <p>RoHS Compliant</p>	<p>120508-XXP-A-AC</p>  <p>RoHS Compliant</p>	<p>120508-XXS-A-AC</p>  <p>RoHS Compliant</p>	<p>805-120508PXX</p>  <p>RoHS Compliant</p>
<p>120508R-XXS-A-AC</p> <ul style="list-style-type: none"> Assembly Crimp A Coding Socket No. of Contacts 08:M8 Series 	<p>120508-XXP-A-AC</p> <ul style="list-style-type: none"> Assembly Crimp A Coding Plug No. of Contacts 08:M8 Series 	<p>120508-XXS-A-AC</p> <ul style="list-style-type: none"> Assembly Crimp A Coding Socket No. of Contacts 08:M8 Series 	<p>805-120508PXX</p> <ul style="list-style-type: none"> Blank With Tie 01:Without Tie Plug 08:M8 Series
<p>805-120508SXX</p>  <p>RoHS Compliant</p>	<p>120512-XXP-FX-PBSX</p>  <p>RoHS Compliant</p>	<p>120512-XXS-FX-PBSX</p>  <p>RoHS Compliant</p>	<p>120512-XXP-FX-PBX</p>  <p>RoHS Compliant</p>
<p>805-120508SXX</p> <ul style="list-style-type: none"> Blank With Tie 01:Without Tie Socket 08:M8 Series 	<p>120512-XXP-FX-PBSX</p> <ul style="list-style-type: none"> 1:PG9 2:M16 Panel Mount PCB Dip With Shielding A Coding, D Coding Front Fastened Plug No. of Contacts 12: M12 Series 	<p>120512-XXS-FX-PBSX</p> <ul style="list-style-type: none"> 1:PG9 2:M16 Panel Mount PCB Dip With Shielding A Coding, D Coding Front Fastened Socket No. of Contacts 12:M12 Series 	<p>120512-XXP-FX-PBX</p> <ul style="list-style-type: none"> 1:PG9 2:M16 Panel Mount PCB Dip A Coding, D Coding Front Fastened Plug No. of Contacts 12:M12 Series

M Series Circular Connector

M12

UNIT : mm

120512-XXS-FX-PBX	120512-XXP-FX-PMX	120512-XXS-FX-PMX	120512-XXP-RX-PMX
			
RoHS Compliant	RoHS Compliant	RoHS Compliant	RoHS Compliant
120512-XXS-FX-PBX 1:PG9 2:M16 Panel Mount PCB Dip A Coding, D Coding Front Fastened Socket No. of Contacts 12:M12 Series	120512-XXP-FX-PMX 1:PG9 2:M16 Panel Mount Solder A Coding, D Coding Front Fastened Plug No. of Contacts 12: M12 Series	120512-XXS-FX-PMX 1:PG9 2:M16 Panel Mount Solder A Coding, D Coding Front Fastened Socket No. of Contacts 12: M12 Series	120512-XXP-RX-PMX 1:PG9 2:M16 Panel Mount Solder A Coding, D Coding Rear Fastened Plug No. of Contacts 12: M12 Series
120512-XXS-RX-PMX	120512-08S-FX-PBSX	120512-08S-FX-PMSX	120512R-08S-FX-PBS
			
RoHS Compliant	RoHS Compliant	RoHS Compliant	RoHS Compliant
120512-XXS-RX-PMX 1:PG9 2:M16 Panel Mount Solder A Coding, D Coding Rear Fastened Socket No. of Contacts 12: M12 Series	120512-08S-FX-PBSX With Shielding Panel Mount PCB Dip X Coding Front Fastend Socket No. of Contacts 12: M12 Series	120512-08S-FX-PMSX With Shielding Panel Mount Solder X Coding Front Fastend Socket No. of Contacts 12: M12 Series	120512R-08S-FX-PBS With Shielding Panel Mount PCB Dip X Coding Front Fastend Socket No. of Contacts Right Angle 12: M12 Series
120512R-XXP-FX-PB	120512R-XXS-FX-PB	120512-XXS-A-PB15	120512-XXS-X-SM30-TR
			
RoHS Compliant	RoHS Compliant	RoHS Compliant	RoHS Compliant
120512R-XXP-FX-PB Panel Mount PCB Dip A Coding, D Coding Front Fastened Plug No. of Contacts Right Angle 12:M12 Series	120512R-XXS-FX-PB Panel Mount PCB Dip A Coding, D Coding Front Fastened Socket No. of Contacts Right Angle 12:M12 Series	120512-XXS-A-PB15 15u"Gold Plated PCB Dip A Coding Socket No. of Contacts 12:M12 Series	120512-XXS-X-SM30-TR Tape & Reel 30u" Gold Plated A Coding, D Coding Socket No. of Contacts 12:M12 Series
120512R-XXS-X-AE	120512-XXP-X-AS	120512-XXS-X-AS	120512-XXP-X-AE4
			
RoHS Compliant	RoHS Compliant	RoHS Compliant	RoHS Compliant
120512R-XXS-X-AE Assembly Screw A Coding, D Coding Socket No. of Contacts 12:M12 Series	120512-XXP-X-AS Assembly Solder A Coding, D Coding Plug No. of Contacts 12:M12 Series	120512-XXS-X-AS Assembly Solder A Coding, D Coding Socket No. of Contacts 12:M12 Series	120512-XXP-X-AE4 4:M10 Assembly Screw A Coding, D Coding Plug No. of Contacts 12:M12 Series

M Series Circular Connector

M12 / M16 / M20

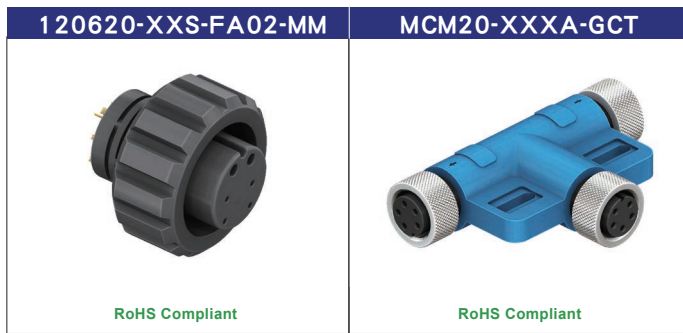
UNIT : mm

<p>120512-XXS-X-AE4</p>  <p>RoHS Compliant</p>	<p>120512-XXP-X04-AC</p>  <p>RoHS Compliant</p>	<p>120512-XXS-X04-AC</p>  <p>RoHS Compliant</p>	<p>120512-XXP-X04-AS</p>  <p>RoHS Compliant</p>
<p>120512-XXS-X-AE4 4:M10 Assembly Screw A Coding, D Coding Socket No. of Contacts 12:M12 Series</p>	<p>120512-XXP-X04-AC Assembly Crimp 04:Full-Metal Shells A Coding, D Coding Plug No. of Contacts 12:M12 Series</p>	<p>120512-XXS-X04-AC Assembly Crimp 04:Full-Metal Shells A Coding, D Coding Socket No. of Contacts 12:M12 Series</p>	<p>120512-XXP-X04-AS Assembly Solder 04:Full-Metal Shells A Coding, D Coding Plug No. of Contacts 12:M12 Series</p>
<p>120512-XXS-X04-AS</p>  <p>RoHS Compliant</p>	<p>120512-08P-X-AC</p>  <p>RoHS Compliant</p>	<p>120512-08P-X-MMS</p>  <p>RoHS Compliant</p>	<p>805-120512PXX</p>  <p>RoHS Compliant</p>
<p>120512-XXS-X04-AS Assembly Solder 04:Full-Metal Shells A Coding, D Coding Socket No. of Contacts 12:M12 Series</p>	<p>120512-08P-X-AC Assembly Crimp X Coding Plug No. of Contacts 12:M12 Series</p>	<p>120512-08P-X-MMS With Shielding Solder Molded X Coding Plug No. of Contacts 12:M12 Series</p>	<p>805-120512PXX Blank with Tie 01:w/o Tie Plug 12:M12 Series</p>
<p>805-120512SXX</p>  <p>RoHS Compliant</p>	<p>MCM12-XXX-GCY</p>  <p>RoHS Compliant</p>	<p>MCM12-XXX-GCT</p>  <p>RoHS Compliant</p>	<p>120516-XXP-FA-PM3</p>  <p>RoHS Compliant</p>
<p>805-120512SXX Blank with Tie 01:w/o Tie Socket 12:M12 Series</p>	<p>MCM12-XXX-GCY Y Type Gender Changer A Coding, D Coding No. of Contacts 12:M12 Series</p>	<p>MCM12-XXX-GCT T Type Gender Changer A Coding, D Coding No. of Contacts 12:M12 Series</p>	<p>120516-XXP-FA-PM3 3:M19 Panel Mount Solder A Coding Front Fastened Plug No. of Contacts 16: M16 Series</p>
<p>120516-XXS-FA-PM3</p>  <p>RoHS Compliant</p>	<p>120516-XXP-FA-PB9</p>  <p>RoHS Compliant</p>	<p>120520-XXP-RA-PM</p>  <p>RoHS Compliant</p>	<p>120620-XXP-FA02-PM</p>  <p>RoHS Compliant</p>
<p>120516-XXS-FA-PM3 3:M19 Panel Mount Solder A Coding Front Fastened Socket No. of Contacts 16: M16 Series</p>	<p>120516-XXP-FA-PB9 9:M18 Panel Mount PCB Dip A Coding Front Fastened Plug No. of Contacts 16:M16 Series</p>	<p>120520-XXP-RA-PM Panel Mount Solder A Coding Rear Fastened Plug No. of Contacts 20:M20 Series</p>	<p>120620-XXP-FA02-PM Panel Mount Solder Quick Lock A Coding Front Fastened Plug No. of Contacts 20:M20 Series</p>

M Series Circular Connector

M20

UNIT : mm



120620-XXS-FA02-MM
 Molding
 Quick Lock
 A Coding
 Front Fastened
 Socket
 No. of Contacts
 20:M20 Series

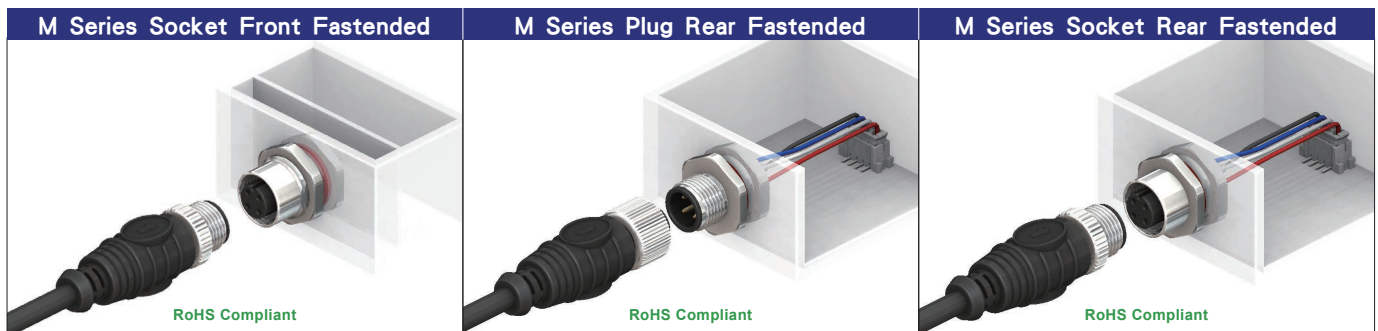
MCM20-XXXA-GCT
 T Type
 Gender Changer
 A Coding
 No. of Contacts
 20:M20 Series



Application:
 M12 Right Angle Plug PCB Type &
 M12 Straight Molding Socket Cable
 120512R-XXP-FX-PB Mating
 MCM12-XXSXS

Application:
 M12 Right Angle Socket PCB Type &
 M12 Straight Molding Plug Cable
 120512R-XXS-FX-PB Mating
 MCM12-XXPXS

Application:
 M12 Straight Plug PCB Type &
 M12 Straight Molding Socket Cable
 120512-XXP-FX-PB1 Mating
 MCM12-XXSXS



Application:
 M12 Straight Socket PCB Type &
 M12 Straight Molding Plug Cable
 120512-XXS-FX-PB1 Mating
 MCM12-XXPXS

Application:
 M12 Straight Plug Solder Type &
 M12 Straight Molding Socket Cable
 120512-XXP-RX-PM1 Mating
 MCM12-XXSXS

Application:
 M12 Straight Socket Solder Type &
 M12 Straight Molding Plug Cable
 120512-XXS-RX-PM1 Mating
 MCM12-XXPXS



Application:
 M12 Straight Plug Solder Type &
 M12 Straight Molding Socket Cable
 120512-XXP-FX-PM1 Mating
 MCM12-XXSXS

Application:
 M12 Straight Socket Solder Type &
 M12 Straight Molding Plug Cable
 120512-XXS-FX-PM1 Mating
 MCM12-XXPXS

Application:
 M12 Straight Plug & Socket Cable
 MCM12-XXPXS Mating MCM12-XXSXS

M Series Circular Cable Assembly

M5 / M8 / M12



Neltron Industrial Co., Ltd.

UNIT : mm

<p>MCM05-XXPAS</p>  <p>RoHS Compliant</p>	<p>MCM05-XXSAS</p>  <p>RoHS Compliant</p>	<p>MCM05-XXPASS</p>  <p>RoHS Compliant</p>	<p>MCM05-XXSASS</p>  <p>RoHS Compliant</p>
<p>MCM05-XXPAS <ul style="list-style-type: none"> — Straight Type — A Coding — Plug — No. of Contacts — 05: M5 Series </p>	<p>MCM05-XXSAS <ul style="list-style-type: none"> — Straight Type — A Coding — Socket — No. of Contacts — 05: M5 Series </p>	<p>MCM05-XXPASS <ul style="list-style-type: none"> — Shielded — Straight Type — A Coding — Plug — No. of Contacts — 05: M5 Series </p>	<p>MCM05-XXSASS <ul style="list-style-type: none"> — Shielded — Straight Type — A Coding — Socket — No. of Contacts — 05: M5 Series </p>
<p>MCM05-XXPAR</p>  <p>RoHS Compliant</p>	<p>MCM05-XXSAR</p>  <p>RoHS Compliant</p>	<p>MCM08-XXPXS</p>  <p>RoHS Compliant</p>	<p>MCM08-XXSXS</p>  <p>RoHS Compliant</p>
<p>MCM05-XXPAR <ul style="list-style-type: none"> — R/A Type — A Coding — Plug — No. of Contacts — 05: M5 Series </p>	<p>MCM05-XXSAR <ul style="list-style-type: none"> — R/A Type — A Coding — Socket — No. of Contacts — 05: M5 Series </p>	<p>MCM08-XXPXS <ul style="list-style-type: none"> — Straight Type — A Coding, B Coding — Plug — No. of Contacts — 08: M8 Series </p>	<p>MCM08-XXSXS <ul style="list-style-type: none"> — Straight Type — A Coding, B Coding — Socket — No. of Contacts — 08: M8 Series </p>
<p>MCM08-XXPXSS</p>  <p>RoHS Compliant</p>	<p>MCM08-XXSXSS</p>  <p>RoHS Compliant</p>	<p>MCM08-XXPXR</p>  <p>RoHS Compliant</p>	<p>MCM08-XXSXR</p>  <p>RoHS Compliant</p>
<p>MCM08-XXPXSS <ul style="list-style-type: none"> — Shielded — Straight Type — A Coding, B Coding — Plug — No. of Contacts — 08: M8 Series </p>	<p>MCM08-XXSXSS <ul style="list-style-type: none"> — Shielded — Straight Type — A Coding, B Coding — Socket — No. of Contacts — 08: M8 Series </p>	<p>MCM08-XXPXR <ul style="list-style-type: none"> — R/A Type — A Coding, B Coding — Plug — No. of Contacts — 08: M8 Series </p>	<p>MCM08-XXSXR <ul style="list-style-type: none"> — R/A Type — A Coding, B Coding — Socket — No. of Contacts — 08: M8 Series </p>
<p>MCM08-XXPXR</p>  <p>RoHS Compliant</p>	<p>MCM08-XXSXR</p>  <p>RoHS Compliant</p>	<p>MCM12-XXPXS</p>  <p>RoHS Compliant</p>	<p>MCM12-XXSXS</p>  <p>RoHS Compliant</p>
<p>MCM08-XXPXR <ul style="list-style-type: none"> — Shielded — R/A Type — A Coding, B Coding — Plug — No. of Contacts — 08: M8 Series </p>	<p>MCM08-XXSXR <ul style="list-style-type: none"> — Shielded — R/A Type — A Coding, B Coding — Socket — No. of Contacts — 08: M8 Series </p>	<p>MCM12-XXPXS <ul style="list-style-type: none"> — Straight Type — A Coding, D Coding — Plug — No. of Contacts — 12: M12 Series </p>	<p>MCM12-XXSXS <ul style="list-style-type: none"> — Straight Type — A Coding, D Coding — Socket — No. of Contacts — 12: M12 Series </p>

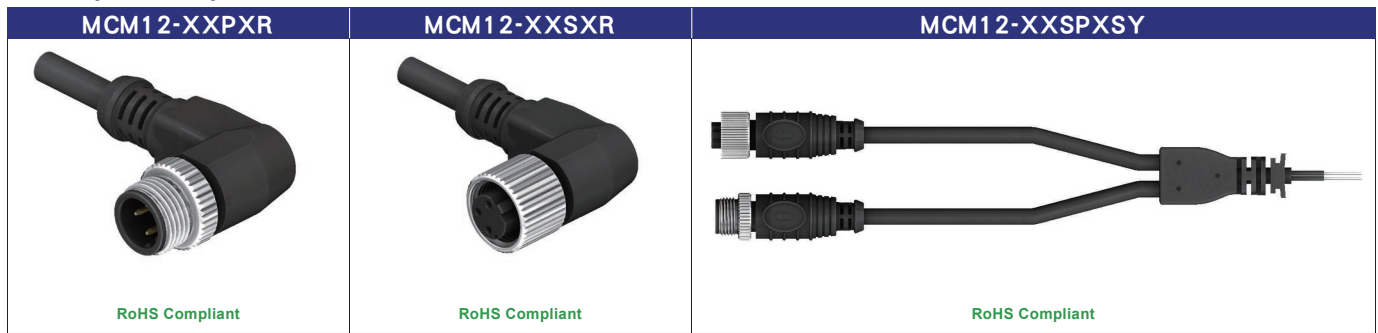
M Series Circular Cable Assembly

M12 / M16 / M20



Neltron Industrial Co., Ltd.

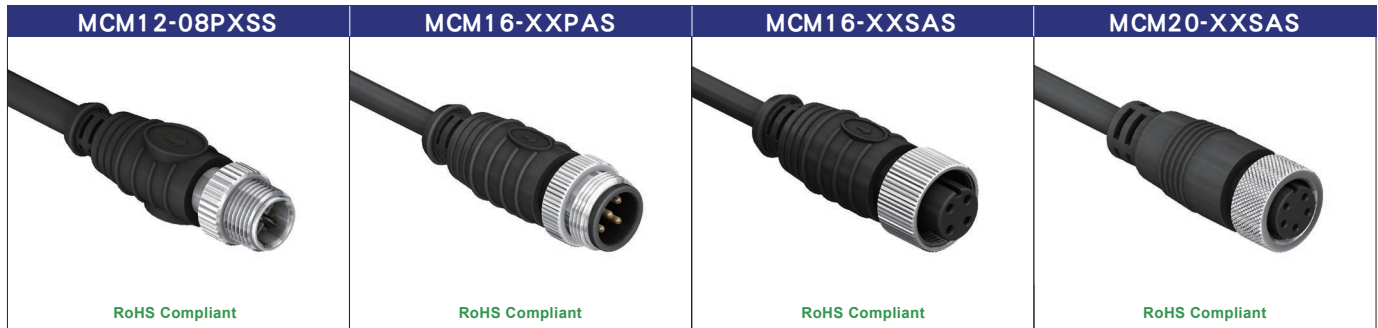
UNIT : mm



MCM12-XXPXR
 Right Angle
 A Coding, D Coding
 Plug
 No. of Contacts
 12: M12 Series

MCM12-XXSXR
 Right Angle
 A Coding, D Coding
 Socket
 No. of Contacts
 12: M12 Series

MCM12-XXSPXSY
 Y Type
 Shielding
 A Coding, D Coding
 Plug
 Socket
 No. of Contacts
 12: M12 Series

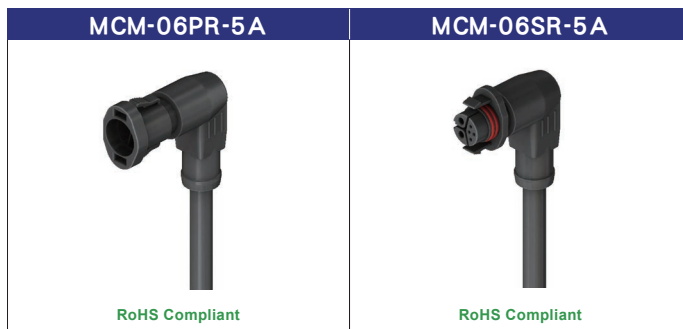


MCM12-08PXSS
 Shielded
 Straight Type
 X Coding
 Plug
 No. of Contacts
 12: M12 Series

MCM16-XXPAS
 Straight Type
 A Coding
 Plug
 No. of Contacts
 16: M16 Series

MCM16-XXSAS
 Straight Type
 A Coding
 Socket
 No. of Contacts
 16: M16 Series

MCM20-XXSAS
 Straight Type
 A Coding
 Socket
 No. of Contacts
 20: M20 Series



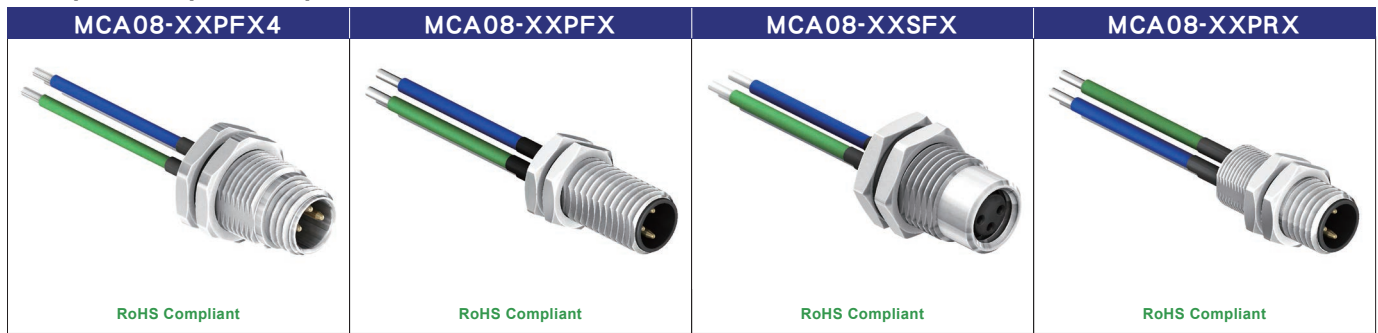
MCM-06PR-5A
 5A: 5Amp
 Right Angle
 Plug
 No. of Contacts

MCM-06SR-5A
 5A: 5Amp
 Right Angle
 Socket
 No. of Contacts

M Series Circular Wire Harness

M8 / M12 / M16 / M20

UNIT : mm



MCA08-XXPFX4
 Panel Lock Thread
 A Coding, B Coding
 Front Fastened
 Plug
 No. of Contacts
 08: M8 Series

MCA08-XXPFX
 A Coding, B Coding
 Front Fastened
 Plug
 No. of Contacts
 08: M8 Series

MCA08-XXSFX
 A Coding, B Coding
 Front Fastened
 Socket
 No. of Contacts
 08: M8 Series

MCA08-XXPRX
 A Coding, B Coding
 Rear Fastened
 Plug
 No. of Contacts
 08: M8 Series

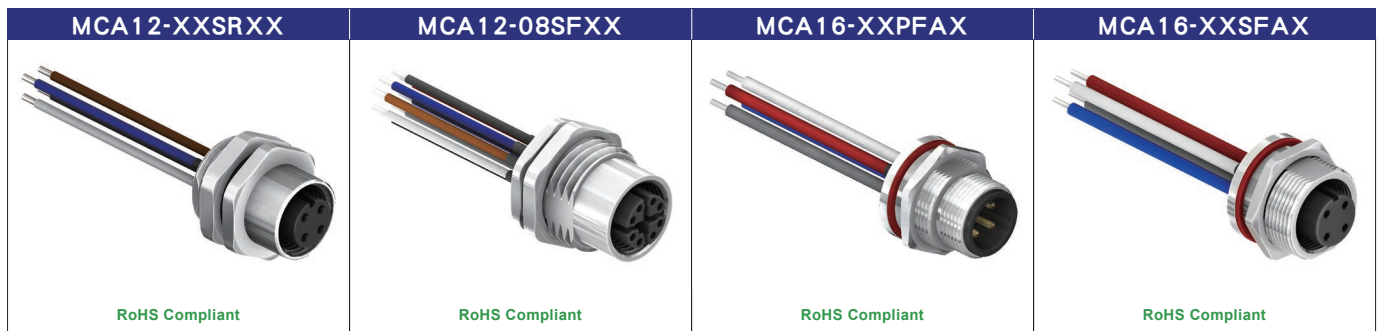


MCA08-XXSRX
 A Coding, B Coding
 Rear Fastened
 Socket
 No. of Contacts
 08: M8 Series

MCA12-XXPFXX
 1:PG9, 2:M16
 A Coding, D Coding
 Front Fastened
 Plug
 No. of Contacts
 12: M12 Series

MCA12-XXSFXX
 1:PG9, 2:M16
 A Coding, D Coding
 Front Fastened
 Socket
 No. of Contacts
 12: M12 Series

MCA12-XXPRXX
 1:PG9, 2:M16
 A Coding, D Coding
 Rear Fastened
 Plug
 No. of Contacts
 12: M12 Series



MCA12-XXSRXX
 1:PG9, 2:M16
 A Coding, D Coding
 Rear Fastened
 Socket
 No. of Contacts
 12: M12 Series

MCA12-08SFXX
 1:PG9, 2:M16
 X Coding
 Front Fastened
 Socket
 No. of Contacts
 12: M12 Series

MCA16-XXPFAX
 3:M19, 9:M18
 A Coding
 Front Fastened
 Plug
 No. of Contacts
 16: M16 Series

MCA16-XXSFAX
 3:M19, 9:M18
 A Coding
 Front Fastened
 Socket
 No. of Contacts
 16: M16 Series



MCA20-XXPRA
 A Coding
 Rear Fastened
 Plug
 No. of Contacts
 20: M20 Series












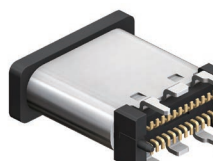
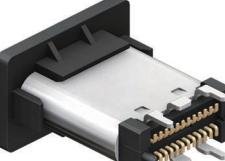



Right Angle Type

UNIT : mm

5077CR-24-SMC3-BK-TR  RoHS Compliant	5077CR-24-SMB1-BK-TR  RoHS Compliant	5077CR-24-SMD1-BK-TR  RoHS Compliant	5077CR-24-SM-BK-TR  RoHS Compliant
5077CR-24-SMC3-BK-TR Tape & Reel BK:Black SMD No. of Contacts C Type Right Angle	5077CR-24-SMB1-BK-TR Tape & Reel BK:Black SMD No. of Contacts C Type Right Angle	5077CR-24-SMD1-BK-TR Tape & Reel BK:Black SMD No. of Contacts C Type Right Angle	5077CR-24-SM-BK-TR Tape & Reel BK:Black SMD No. of Contacts C Type Right Angle
5077CR-24-SMA3-BK-TR  RoHS Compliant	5077CR-24-SMC7-BK-TR  RoHS Compliant	5077CR-24-SMC6-BK-TR  RoHS Compliant	5077CR-24-SM1-BK-TR  RoHS Compliant
5077CR-24-SMA3-BK-TR Tape & Reel BK:Black SMD No. of Contacts C Type Right Angle	5077CR-24-SMC7-BK-TR Tape & Reel BK:Black SMD No. of Contacts C Type Right Angle	5077CR-24-SMC6-BK-TR Tape & Reel BK:Black SMD No. of Contacts C Type Right Angle	5077CR-24-SM1-BK-TR Tape & Reel BK:Black SMD No. of Contacts C Type Right Angle
5077CR-24-SMZX-BK-TR  RoHS Compliant	5077CR-24-SMMA-BK-TR  RoHS Compliant	5077CR-24-SMM9-BK-TR  RoHS Compliant	5077CR-24-SMM4-BK-TR  RoHS Compliant
5077CR-24-SMZX-BK-TR Tape & Reel BK:Black SMD No. of Contacts C Type Right Angle	5077CR-24-SMMA-BK-TR Tape & Reel BK:Black SMD No. of Contacts C Type Right Angle	5077CR-24-SMM9-BK-TR Tape & Reel BK:Black SMD No. of Contacts C Type Right Angle	5077CR-24-SMM4-BK-TR Tape & Reel BK:Black SMD No. of Contacts C Type Right Angle
5077CR-24-SMM8-BK-WP-TR  RoHS Compliant	5077CR-24-SMC13-BK-WP-TR  RoHS Compliant	5077CR-24-SMC12-BK-WP-TR  RoHS Compliant	5077CR-06-SM-BK-TR  RoHS Compliant
5077CR-24-SMM8-BK-WP-TR Tape & Reel Waterproof BK:Black SMD No. of Contacts C Type Right Angle	5077CR-24-SMC13-BK-WP-TR Tape & Reel Waterproof BK:Black SMD No. of Contacts C Type Right Angle	5077CR-24-SMC12-BK-WP-TR Tape & Reel Waterproof BK:Black SMD No. of Contacts C Type Right Angle	5077CR-06-SM-BK-TR Tape & Reel BK:Black SMD No. of Contacts C Type Right Angle

Right Angle / Straight Type





UNIT : mm

<p>5077CR-14-SM-BK-TR</p>  <p>RoHS Compliant</p>	<p>5077CR-16-SM-BK-TR</p>  <p>RoHS Compliant</p>	<p>5077CR-16-SMA2-BK-TR</p>  <p>RoHS Compliant</p>	<p>5077CR-16-SMC2-BK-TR</p>  <p>RoHS Compliant</p>
<p>5077CR-14-SM-BK-TR Tape & Reel BK:Black SMD No. of Contacts C Type Right Angle</p>	<p>5077CR-16-SM-BK-TR Tape & Reel BK:Black SMD No. of Contacts C Type Right Angle</p>	<p>5077CR-16-SMA2-BK-TR Tape & Reel BK:Black SMD No. of Contacts C Type Right Angle</p>	<p>5077CR-16-SMC2-BK-TR Tape & Reel BK:Black SMD No. of Contacts C Type Right Angle</p>
<p>5077CR-16-SMC2A-BK-TR</p>  <p>RoHS Compliant</p>	<p>5077CR-16-SMC2B-BK-TR</p>  <p>RoHS Compliant</p>	<p>5077CR-16-SMS43-BK-TR</p>  <p>RoHS Compliant</p>	<p>5077CR-16-SMM1-BK-TR</p>  <p>RoHS Compliant</p>
<p>5077CR-16-SMC2A-BK-TR Tape & Reel BK:Black SMD No. of Contacts C Type Right Angle</p>	<p>5077CR-16-SMC2B-BK-TR Tape & Reel BK:Black SMD No. of Contacts C Type Right Angle</p>	<p>5077CR-16-SMS43-BK-TR Tape & Reel BK:Black SMD No. of Contacts C Type Right Angle</p>	<p>5077CR-16-SMM1-BK-TR Tape & Reel BK:Black SMD No. of Contacts C Type Right Angle</p>
<p>5077CR-16-SMM2-BK-TR</p>  <p>RoHS Compliant</p>	<p>5077CR-16-SMM3-BK-TR</p>  <p>RoHS Compliant</p>	<p>5077CR-24-SMC4-BK-TR</p>  <p>RoHS Compliant</p>	<p>5077CS-24-SMC2-BK-CR</p>  <p>RoHS Compliant</p>
<p>5077CR-16-SMM2-BK-TR Tape & Reel BK:Black SMD No. of Contacts C Type Right Angle</p>	<p>5077CR-16-SMM3-BK-TR Tape & Reel BK:Black SMD No. of Contacts C Type Right Angle</p>	<p>5077CR-24-SMC4-BK-TR Tape & Reel BK:Black SMD No. of Contacts C Type Right Angle</p>	<p>5077CS-24-SMC2-BK-CR Cap & Tape & Reel BK:Black SMD No. of Contacts C Type Straight</p>
<p>5077CS-24-SMC1-BK-CR</p>  <p>RoHS Compliant</p>	<p>5077CS-24-SMC2-BK</p>  <p>RoHS Compliant</p>	<p>5077CS-24-C1-BK</p>  <p>RoHS Compliant</p>	<p>5077CS-24-C2-BK</p>  <p>RoHS Compliant</p>
<p>5077CS-24-SMC1-BK-CR Cap & Tape & Reel BK:Black SMD No. of Contacts C Type Straight</p>	<p>5077CS-24-SMC2-BK BK: Black No. of Contacts C Type Straight</p>	<p>5077CS-24-C1-BK BK:Black No. of Contacts C Type Straight</p>	<p>5077CS-24-C2-BK BK:Black No. of Contacts C Type Straight</p>

USB Type-C Series

Straight / Clip / Up-Right Angle Type Type-C & Type-A Connector Straight Type

UNIT : mm





5077CS-24-C4-BK	5077CS-24-C6-BK	5077CP-24-02-02	5077CP-24-C5-BK
			
RoHS Compliant	RoHS Compliant	RoHS Compliant	RoHS Compliant

5077CS-24-C4-BK
 BK:Black
 No. of Contacts
 C Type Straight

5077CS-24-C6-BK
 BK:Black
 No. of Contacts
 C Type Straight

5077CP-24-02-02
 With Shield Shell
 Solder
 No. of Contacts
 C Type

5077CP-24-C5-BK
 BK:Black
 No. of Contacts
 C Type

5077CP-24-C8-BK	5077CP-02-02	5077CUR-14-BK	5077CAS-1404
			
RoHS Compliant	RoHS Compliant	RoHS Compliant	RoHS Compliant

5077CP-24-C8-BK
 BK:Black
 No. of Contacts
 C Type



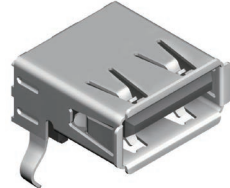
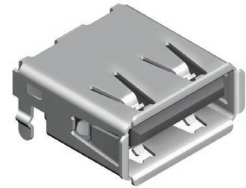







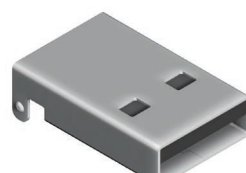




5077CP-02-02
 With Shield Shell
 Solder
 C Type

5077CUR-14-BK
 BK:Black
 No. of Contacts
 C Type Up Right Angle

5077CAS-1404
 A Type 4P
 C Type 14P
 C and A Type Female Straight


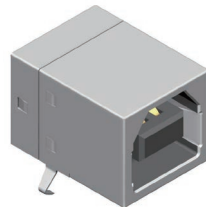


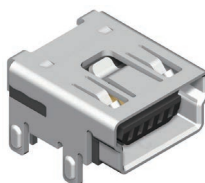



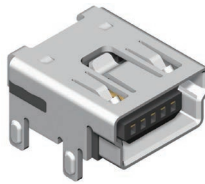
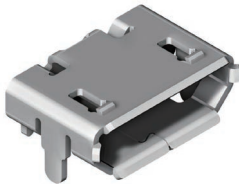
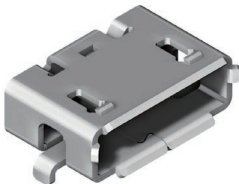
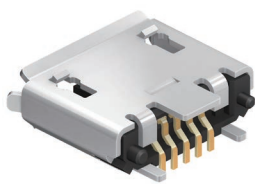

Type-A USB

UNIT : mm

<p>5075AS-04-XX</p>  <p>RoHS Compliant</p>	<p>5075AS-08-XX</p>  <p>RoHS Compliant</p>	<p>5075AR-04-XX</p>  <p>RoHS Compliant</p>	<p>5075AR-04A-XX</p>  <p>RoHS Compliant</p>
<p>5075AS-04-XX WH: White(Standard) BK: Black No. of Contacts A Type Socket Straight</p>	<p>5075AS-08-XX WH: White(Standard) BK: Black No. of Contacts A Type Socket Straight</p>	<p>5075AR-04-XX WH: White(Standard) BK: Black No. of Contacts A Type Socket Right Angle</p>	<p>5075AR-04A-XX WH: White(Standard) BK: Black No. of Contacts A Type Socket Right Angle</p>
<p>5075AR-04-SM7-XX</p>  <p>RoHS Compliant</p>	<p>5075AR-04-SM1-XX</p>  <p>RoHS Compliant</p>	<p>5075AR-08B-XX</p>  <p>RoHS Compliant</p>	<p>5075ARP-04</p>  <p>RoHS Compliant</p>
<p>5075AR-04-SM7-XX WH: White(Standard) BK: Black SM: SMD Type Blank: Dip Type No. of Contacts A Type Socket Right Angle</p>	<p>5075AR-04-SM1-XX WH: White(Standard) BK: Black SMD Type(Metal Shell Dip Type) No. of Contacts A Type Socket Right Angle</p>	<p>5075AR-08B-XX WH: White(Standard) BK: Black No. of Contacts A Type Socket Right Angle</p>	<p>5075ARP-04 No. of Contacts A Type Plug Right Angle</p>
<p>5075ARP-04-SM1</p>  <p>RoHS Compliant</p>	<p>5075ARP-04-SM2-XX</p>  <p>RoHS Compliant</p>	<p>5075ARP-04-SM5</p>  <p>RoHS Compliant</p>	<p>5075ARRP-04</p>  <p>RoHS Compliant</p>
<p>5075ARP-04-SM1 SM: SMD Type Blank: Dip Type No. of Contacts A Type Plug Right Angle</p>	<p>5075ARP-04-SM2-XX BK: Black(Standard) WH: White SM: SMD Type Blank: Dip Type No. of Contacts A Type Plug Right Angle</p>	<p>5075ARP-04-SM5 SM: SMD Type Blank: Dip Type No. of Contacts A Type Plug Right Angle</p>	<p>5075ARRP-04 No. of Contacts A Type Plug Right Angle Reverse</p>
<p>5075ARRP-04-SM1</p>  <p>RoHS Compliant</p>	<p>5075AUR-04-XX</p>  <p>RoHS Compliant</p>	<p>5075AUR-04-XX-PGA</p>  <p>RoHS Compliant</p>	<p>5075BS-04-XX-K0</p>  <p>RoHS Compliant</p>
<p>5075ARRP-04-SM1 SM: SMD Type Blank: Dip Type No. of Contacts A Type Plug Right Angle Reverse</p>	<p>5075AUR-04-XX WH: White(Standard) BK: Black No. of Contacts A Type UP Right Angle Type</p>	<p>5075AUR-04-XX-PGA With Peg WH: White(Standard) BK: Black No. of Contacts Type Socket Frank Right Angle</p>	<p>5075BS-04-XX-K0 Blank: With Kink K0: Without Kink WH: White(Standard) BK: Black No. of Contacts B Type Straight</p>

Type-B / Mini / Micro USB

UNIT : mm

<p>5075BS-04-SM-XX</p>  <p>RoHS Compliant</p>	<p>5075BR-04-XX</p>  <p>RoHS Compliant</p>	<p>5075ABMR-05-SM</p>  <p>RoHS Compliant</p>	<p>5075ABMR-05-SM1</p>  <p>RoHS Compliant</p>
<p>5075BS-04-SM-XX</p> <ul style="list-style-type: none"> BK:Black WH:White SMD Type No. of Contacts B Type Straight 	<p>5075BR-04-XX</p> <ul style="list-style-type: none"> WH: White(Standard) BK: Black No. of Contacts B Type Right Angle 	<p>5075ABMR-05-SM</p> <ul style="list-style-type: none"> SM: SMD Type No. of Contacts Mini AB Type Right Angle 	<p>5075ABMR-05-SM1</p> <ul style="list-style-type: none"> SMD Type (Metal Shell Dip Type) No. of Contacts Mini AB Type Right Angle
<p>5075BMR-05</p>  <p>RoHS Compliant</p>	<p>5075BMR-05B</p>  <p>RoHS Compliant</p>	<p>5075BMR-05D</p>  <p>RoHS Compliant</p>	<p>5075BMR-05-SM</p>  <p>RoHS Compliant</p>
<p>5075BMR-05</p> <ul style="list-style-type: none"> No. of Contacts Mini B Type Right Angle 	<p>5075BMR-05B</p> <ul style="list-style-type: none"> No. of Contacts Mini B Type Right Angle 	<p>5075BMR-05D</p> <ul style="list-style-type: none"> No. of Contacts Mini B Type Right Angle 	<p>5075BMR-05-SM</p> <ul style="list-style-type: none"> SMD Type No. of Contacts Mini B Type Right Angle
<p>5075BMR-05-SM1</p>  <p>RoHS Compliant</p>	<p>5075MABR-05-SM1</p>  <p>RoHS Compliant</p>	<p>5075MBR-05-SM6</p>  <p>RoHS Compliant</p>	<p>5075MBS-05-SM-01</p>  <p>RoHS Compliant</p>
<p>5075BMR-05-SM1</p> <ul style="list-style-type: none"> SMD Type (Metal Shell Dip Type) No. of Contacts Mini B Type Right Angle 	<p>5075MABR-05-SM1</p> <ul style="list-style-type: none"> SMD Type Blank: Dip Type No. of Contacts Micro USB AB Type Right Angle 	<p>5075MBR-05-SM6</p> <ul style="list-style-type: none"> SMD Type No. of Contacts USB B Type Micro USB B Type Right Angle 	<p>5075MBS-05-SM-01</p> <ul style="list-style-type: none"> Blank: With Peg 01 :Without Peg SMD Type No. of Contacts Micro USB B Type Straight
<p>5075MABRR-05-SM-WP</p>  <p>RoHS Compliant</p>			
<p>5075MABRR-05-SM-WP</p> <ul style="list-style-type: none"> Waterproof SMD Type No. of Contacts Right Angle Reverse Micro USB AB Type 			

USB Adapter / USB Type-C Cable

UNIT : mm

ADM-001	ADM-002	ADM-003
		
RoHS Compliant	RoHS Compliant	RoHS Compliant
USB Type-C Female to USB A Male Adapter	USB Type-C Female to USB A Male Adapter	USB Type-C Female to USB A Male Adapter
USBC-001	USBC-002	USBC-003
		
RoHS Compliant	RoHS Compliant	RoHS Compliant
USB Type-C Male to Micro USB 2.0 Male Cable	A Male Micro USB B Male Cable with Changeable Connectors (Type-C Male to Lightning)	USB Type-C Male to USB A Male Cable
USBC-004	USBC-005	USBC-006
		
RoHS Compliant	RoHS Compliant	RoHS Compliant
USB Type-C Female to USB A Male Cable	USB Type-C Male to Micro USB 3.0 Male Cable	USB Type-C Male to Type-C Male Cable
USBC-007	USBC-008	USBC-009
		
RoHS Compliant	RoHS Compliant	RoHS Compliant
USB Type-C Male to USB A Female Cable	USB Type-C Male to USB A Male Cable	USB Type-C Male to Circular Connector Cable
USBC-010	USBC-011	USBC-012
		
RoHS Compliant	RoHS Compliant	RoHS Compliant
USB Type-C Male to Type-C Magnetic Cable	USB Type-C Male Cable	USB Type-C Male to DisplayPort Male Cable

USB Type-A / Type-B / Type-C / Micro / HDMI Cable

UNIT : mm

USBA-001	USBA-002	USBA-003
 <p>RoHS Compliant</p>	 <p>RoHS Compliant</p>	 <p>RoHS Compliant</p>
USB Type-A Male Cable	USB Type-B Male Cable	USB to HDMI Cable
USBA-004	USBA-005	USBA-006
 <p>RoHS Compliant</p>	 <p>RoHS Compliant</p>	 <p>RoHS Compliant</p>
USB to Micro B	USB Type C to Lightning Cable	USB Type-A Male Cable
USBA-007	USBA-008	USBA-009
 <p>RoHS Compliant</p>	 <p>RoHS Compliant</p>	 <p>RoHS Compliant</p>
USB Type-A Female Cable	Desktop Computer USB 3.0 Expansion Board	Desktop Computer USB 3.0 Expansion Board
USBA-010	USBA-011	USBA-012
 <p>RoHS Compliant</p>	 <p>RoHS Compliant</p>	 <p>RoHS Compliant</p>
USB Type-A Female Cable	USB Type-A Right Angle Male Cable	USB Panel-Mount Type A Cable
USBA-013	USBA-014	USBA-015
 <p>RoHS Compliant</p>	 <p>RoHS Compliant</p>	 <p>RoHS Compliant</p>
USB Panel Mount Type-B Micro Male to Female Cable	USB Type-A Male to Micro-B Cable	USB Type-A Male to Micro-B Cable

USB Type-A / Type-B / Type-C / Micro / HDMI Cable

UNIT : mm

USBA-016	USBA-017	USBA-018
 <p>RoHS Compliant</p>	 <p>RoHS Compliant</p>	 <p>RoHS Compliant</p>

USB Type-C to Double Type-A Cable

USB Lightning to Type-A Male Cable




USB Type-A Male to Micro-B Cable

USBA-019	USBA-020	USBA-021
 <p>RoHS Compliant</p>	 <p>RoHS Compliant</p>	 <p>RoHS Compliant</p>

USB Type-A to M Series Cable

USB Type-A to M Series Cable

HDMI to USB Type-A Male and Female Cable

USBA-022	USBA-023	USBA-024
 <p>RoHS Compliant</p>	 <p>RoHS Compliant</p>	 <p>RoHS Compliant</p>

HDMI to HDMI and USB Type-A Male Cable

USB Panel-Mount Two Double Type A Cable

USB Type A Waterproof Cable

USBA-025
 <p>RoHS Compliant</p>

USB Type A Waterproof Cable

Insert Mold Technology

UNIT : mm

<p>9973MRT</p>  <p>RoHS Compliant</p>	<p>9976MRT</p>  <p>RoHS Compliant</p>	<p>9981MRT</p>  <p>RoHS Compliant</p>	<p>801-5075ARP-04-SM2</p>  <p>RoHS Compliant</p>
<p>801-5075MMR-08A2</p>  <p>RoHS Compliant</p>	<p>801-5077CS-24-SMC1-XX</p>  <p>RoHS Compliant</p>	<p>801-5077CR-24-SM1-01</p>  <p>RoHS Compliant</p>	<p>801-5077CR-24-SM1-02</p>  <p>RoHS Compliant</p>
<p>801-5077CR-24-SM1-03</p>  <p>RoHS Compliant</p>	<p>801-5522P-07G30-MD</p>  <p>RoHS Compliant</p>	<p>3512R-08T-PG</p>  <p>RoHS Compliant</p>	<p>9222R-02</p>  <p>RoHS Compliant</p>
<p>9301S-09G</p>  <p>RoHS Compliant</p>	<p>9883S-04N</p>  <p>RoHS Compliant</p>	<p>9977M-05G</p>  <p>RoHS Compliant</p>	<p>9978M-XXX</p>  <p>RoHS Compliant</p>
<p>9979M-XXX</p>  <p>RoHS Compliant</p>	<p>9980M-XXX</p>  <p>RoHS Compliant</p>	<p>9982M-XXX</p>  <p>RoHS Compliant</p>	<p>9983M-XXX</p>  <p>RoHS Compliant</p>

Insert Mold Technology

UNIT : mm

<p>6901MS-02G</p>  <p>RoHS Compliant</p>	<p>6902MS-02G</p>  <p>RoHS Compliant</p>	<p>5517ATP-24SG30-151</p>  <p>RoHS Compliant</p>	<p>ICA-501-008</p>  <p>RoHS Compliant</p>
<p>2004P-XXG-H09</p>  <p>RoHS Compliant</p>	<p>2004S-XXG-H09</p>  <p>RoHS Compliant</p>	<p>2004P-XXG-A114</p>  <p>RoHS Compliant</p>	<p>2004S-XXG-A145</p>  <p>RoHS Compliant</p>
<p>2004S-XXG-A195</p>  <p>RoHS Compliant</p>	<p>2063P-XXG-245</p>  <p>RoHS Compliant</p>		

Pin Header & PCB Socket Series

1.00 / 1.27mm

UNIT : mm

2191SM-XXG-XXXX	2191SMDI-XXG-XXXX	2192SM4-XXG	2199SA-XXG-XXXXXX
RoHS Compliant	RoHS Compliant	RoHS Compliant	RoHS Compliant
1.00mm Pin Header Double Rows SMD Type.	1.00mm Pin Header Double Rows Double Insulators SMD Type.	1.00mm PCB Socket Double Rows SMD Type.	1.27mm Pin Header Single Row Straight Type.
2191SM-XXG-XXXX Special Length No. of Contacts SMD Type	2191SMDI-XXG-XXXX Special Length No. of Contacts Double Insulators SMD Type	2192SM4-XXG No. of Contacts SMD Type	2199SA-XXG-XXXXXX Special Length No. of Contacts Straight Type

2199SADI-XXG-XXXXXX	2199RA-XXG-XXXXXX	2199SA-XXG-SM-BX	2200SA-XXG-XX
RoHS Compliant	RoHS Compliant	RoHS Compliant	RoHS Compliant
1.27mm Pin Header Single Row Double Insulators Straight Type.	1.27mm Pin Header Single Row Right Angle Type.	1.27mm Pin Header Single Row SMD Type.	1.27mm PCB Socket Single Row Straight Type.
2199SADI-XXG-XXXXXX Special Length No. of Contacts Double Insulators Straight Single Row	2199RA-XXG-XXXXXX Special Length No. of Contacts Right Angle Type	2199SA-XXG-SM-BX B1, B2 Type SMD Type No. of Contacts Straight Type	2200SA-XXG-XX Dip Length A1, A2 Type No. of Contacts Straight Type

2200RA-XXG-43	2200SA-XXG-SMX-BX	2200SA-XXG-34	2200SA-XXG-SM-34-BX
RoHS Compliant	RoHS Compliant	RoHS Compliant	RoHS Compliant
1.27mm PCB Socket Single Row Right Angle Type.	1.27mm PCB Socket Single Row SMD Type.	1.27mm PCB Socket Single Row Bottom Closed Straight Type.	1.27mm PCB Socket Single Row Bottom Closed SMD Type.
2200RA-XXG-43 Insulator Height 43=4.30mm No. of Contacts Right Angle Type	2200SA-XXG-SMX-BX B1, B2 Type SM1: Insulator Height 4.5mm SM2: Insulator Height 2.3mm No. of Contacts Straight Type	2200SA-XXG-34 Insulator Height 34=3.40mm No. of Contacts Straight Type	2200SA-XXG-SM-34-BX B1, B2 Type Insulator Height 34=3.40mm SMD Type No. of Contacts Straight Type

Pin Header & PCB Socket Series

1.27mm

UNIT : mm

2199SB-XXG-XXXXXX	2199SBDI-XXG-XXXXXX	2199RX-XXG-XXXXXX	2199SB-XXG-SM-XXXX-XX
1.27mm Pin Header Double Rows Straight Type. RoHS Compliant	1.27mm Pin Header Double Rows Double Insulators Straight Type. RoHS Compliant	1.27mm Pin Header Double Rows Right Angle Type. RoHS Compliant	1.27mm Pin Header Double Rows SMD Type. RoHS Compliant
2199SB-XXG-XXXXXX Special Length No. of Contacts Straight Type	2199SBDI-XXG-XXXXXX Special Length No. of Contacts Double Insulators Straight Type	2199RX-XXG-XXXXXX Special Length No. of Contacts R0, R5 Type	2199SB-XXG-SM-XXXX-XX Blank: Standard PG: With Peg Special Length SMD Type No. of Contacts Straight Type

2199SBDI-XXG-SM-XXXX-XX	2199RB-XXG-SM-XXXX	2200SB-XXG-XX	2200SB-XXG-SM-23-XX
1.27mm Pin Header Double Rows Double Insulators SMD Type. RoHS Compliant	1.27mm Pin Header Double Rows Double Insulators SMD Type. RoHS Compliant	1.27mm PCB Socket Double Rows Straight Type (H=4.5). RoHS Compliant	1.27mm PCB Socket Double Rows SMD Type (H=2.3). RoHS Compliant
2199SBDI-XXG-SM-XXXX-XX Blank: Standard PG: With Peg Special Length SMD Type No. of Contacts Double Insulators Straight Type	2199RB-XXG-SM-XXXX Special Length SMD Type No. of Contacts Right Angle Type	2200SB-XXG-XX Dip Length A1=2.20mm A2=2.75mm A3=1.20mm No. of Contacts Straight Type	2200SB-XXG-SM-23-XX Blank: Standard PG: With Peg Total Height: 2.3mm SMD Type No. of Contacts Straight Type

2200TB-XXG-SM-23-XX	2200SB-XXG-SM-XX-XX	2105XX	2200BR-XXG-XX
1.27mm PCB Socket Double Rows Bottom Entry SMD Type (H=2.3). RoHS Compliant	1.27mm PCB Socket Double Rows SMD Type. RoHS Compliant	1.27mm Mini Jumper. RoHS Compliant	1.27mm PCB Socket Double Rows SMD Type. RoHS Compliant
2200TB-XXG-SM-23-XX Blank: Standard PG: With Peg Total Height: 2.3mm SMD Type No. of Contacts Bottom Entry	2200SB-XXG-SM-XX-XX Blank: Standard PG: With Peg Total Height 36/45=3.6/4.5mm SMD Type No. of Contacts Straight Type	2105XX BG: 3.0mm Height Close Type GG: 5.5mm Height Close Type	2200BR-XXG-XX Blank: Dip Type SM: SMD Type No. of Contacts Horizontal Entry Type

Pin Header & PCB Socket Series

1.27X2.54mm

UNIT : mm

2206PA-XXG-739	2206PADI-XXG-XXXXXX	2206RPA-XXG-XX	2206PA-XXG-SM-BX-XXXX
RoHS Compliant	RoHS Compliant	RoHS Compliant	RoHS Compliant
1.27X2.54mm Pin Header Single Row Straight Dip Type.	1.27X2.54mm Pin Header Single Row Double Insulators Straight Dip Type.	1.27X2.54mm Pin Header Single Row R/A Dip Type.	1.27X2.54mm Pin Header Single Row SMD Type.
2206PA-XXG-739 Special Length No. of Contacts Straight Single Row	2206PADI-XXG-XXXXXX Special Length No. of Contacts Double Insulators Straight Type	2206RPA-XXG-XX Blank: Standard Special Length No. of Contacts Right Angle Type	2206PA-XXG-SM-BX-XXXX Pin Length BX: B1, B2 Type SMD Type No. of Contacts Straight Type

2206PADI-XXG-SM-BX-XXXX	2206SA-XXG-XX	2206PB-XXG-739	2206PBDI-XXG-XXXXXX
RoHS Compliant	RoHS Compliant	RoHS Compliant	RoHS Compliant
1.27X2.54mm Pin Header Single Row Double Insulators SMD Type.	1.27X2.54mm PCB Socket Single Row Straight Dip Type.	1.27X2.54mm Pin Header Double Rows Straight Dip Type.	1.27X2.54mm Pin Header Double Rows Double Insulator Straight Dip Type.
2206PADI-XXG-SM-BX-XXXX Pin Length BX: B1, B2 Type SMD Type No. of Contacts Double Insulators Straight Type	2206SA-XXG-XX Insulator Height 46=4.60mm 85=8.50mm No. of Contacts Straight Type	2206PB-XXG-739 Special Length No. of Contacts Straight Type	2206PBDI-XXG-XXXXXX Special Length No. of Contacts Double Insulators Straight Type

2206RPB-XXG-XXXXXX	2206PB-XXG-SM-XXXX-XX	2206PBDI-XXG-SM-XXXX-XX	2206SB-XX-XX
RoHS Compliant	RoHS Compliant	RoHS Compliant	RoHS Compliant
1.27X2.54mm Pin Header Double Rows R/A Dip Type.	1.27X2.54mm Pin Header Double Rows SMD Type.	1.27X2.54mm Pin Header Double Rows Double Insulators SMD.	1.27X2.54mm PCB Socket Double Rows Straight Dip Type.
2206RPB-XXG-XXXXXX Special Length No. of Contacts Right Angle Type	2206PB-XXG-SM-XXXX-XX Blank: Standard PG: With Peg Pin Length SMD Type No. of Contacts Straight Type	2206PBDI-XXG-SM-XXXX-XX Blank: Standard PG: With Peg Pin Length SMD Type No. of Contacts Double Insulators	2206SB-XX-XX Insulator Height 46=4.60mm 85=8.50mm No. of Contacts Straight Type

Pin Header & PCB Socket Series

1.27X2.54 / 2.00mm

UNIT : mm

2206SB-XXG-SM-60-XX	2210S-XXG-XXXX	2210DI-XXG-XXXX	2210R-XXG-XXXXXX
RoHS Compliant	RoHS Compliant	RoHS Compliant	RoHS Compliant

1.27X2.54mm PCB Socket Double Rows SMD Type(H=6.0).

2.00mm Pin Header Single Row Straight Dip Type.

2.00mm Pin Header Single Row Double Insulator Straight Dip Type.

2.00mm Pin Header Single Row Right Angle Dip Type.

2206SB-XXG-SM-60-XX
 Blank: Standard
 PG: With Peg
 Total Height
 60=6.00mm
 SMD Type
 No. of Contacts
 Straight Type

2210S-XXG-XXXX
 Special Length
 Blank: Standard
 No. of Contacts
 Straight Type

2210DI-XXG-XXXX
 Special Length
 No. of Contacts
 Double Insulators

2210R-XXG-XXXXXX
 Special Length
 Blank: Standard
 No. of Contacts
 Right Angle Type

2210SM-XXG-BX	2210SMDI-XXG-BX-XXXX	2210DI-XXG-2230AAL	2209S-XXG-XX
RoHS Compliant	RoHS Compliant	RoHS Compliant	RoHS Compliant

2.00mm Pin Header Single Row SMD Type.

2.00mm Pin Header Single Row Double Insulator SMD Type.

2.00mm Pin Header Molding Single Row Straight EMI Shielding Type.

2.00mm PCB Socket Single Row Straight Dip Type(H=4.3).

2210SM-XXG-BX
 B1, B2 Type
 No. of Contacts
 SMD Type

2210SMDI-XXG-BX-XXXX
 Special Length
 B1, B2 Type
 No. of Contacts
 Double Insulators
 SMD Type

2210DI-XXG-2230AAL
 Product Code
 Special Length
 No. of Contacts
 Double Insulators

2209S-XXG-XX
 Dip Length
 Blank Standard 2.4mm
 12=1.20mm
 16=1.60mm
 32=3.20mm
 No. of Contacts
 Straight Type

2209R-XXG	2209S-XXG-635	2209SM-XXG-BX	2209SM-XXG-356-BX
RoHS Compliant	RoHS Compliant	RoHS Compliant	RoHS Compliant

2.00mm PCB Socket Single Row R/A Dip Type(H=2.4).

2.00mm PCB Socket Single Row Straight Dip Type(H=6.35).

2.00mm PCB Socket Single Row SMD Type(H=4.5).

2.00mm PCB Socket Single Row SMD Type(H=3.56).

2209R-XXG
 No. of Contacts
 Right Angle Type

2209S-XXG-635
 Insulator Height
 635=6.35mm
 No. of Contacts
 Straight Type

2209SM-XXG-BX
 B1, B2 Type
 No. of Contacts
 SMD Type

2209SM-XXG-356-BX
 B1, B2 Type
 Total Height
 356=3.56mm
 No. of Contacts
 SMD Type

Pin Header & PCB Socket Series

2.00mm

UNIT : mm

2209SM-XXG-635-BX	2209S-XXG-935	2209SDI-XXG-935	2209SDI-XXG-XX
RoHS Compliant	RoHS Compliant	RoHS Compliant	RoHS Compliant
2.00mm PCB Socket Single Row SMD Type(H=6.35).	2.00mm PCB Socket Single Row Straight Dip Type(H=9.35).	2.00mm PCB Socket Single Row Dual Body Elevated.	2.00mm PCB Socket Single Row Dual Body Elevated Straight Dip Type.
2209SM-XXG-635-BX <ul style="list-style-type: none"> BX: B1,B2 Type Total Height 635=6.35mm No. of Contacts SMD Type 	2209S-XXG-935 <ul style="list-style-type: none"> Insulator Height 935=9.35mm No. of Contacts Straight Type 	2209SDI-XXG-935 <ul style="list-style-type: none"> Special Length 935: Standard No. of Contacts Elevated Type Straight Type 	2209SDI-XXG-XX <ul style="list-style-type: none"> Special Length 1A,2B,3A,4B,5A Type No. of Contacts Elevated Type Straight Type
2208S-XXG-XXXX	2208DI-XXG-XXXX	2208R-XXG-XXXXXX	2208R-XXG-SM
RoHS Compliant	RoHS Compliant	RoHS Compliant	RoHS Compliant
2.00mm Pin Header Double Rows Straight Dip Type.	2.00mm Pin Header Double Rows Double Insulator Straight Dip Type.	2.00mm Pin Header Double Rows R/A Dip Type.	2.00mm Pin Header Double Rows R/A SMD Type.
2208S-XXG-XXXX <ul style="list-style-type: none"> Special Length Blank: Standard No. of Contacts Straight Type 	2208DI-XXG-XXXX <ul style="list-style-type: none"> Special Length No. of Contacts Double Insulators 	2208R-XXG-XXXXXX <ul style="list-style-type: none"> Special Length Blank: Standard No. of Contacts Right Angle Type 	2208R-XXG-SM <ul style="list-style-type: none"> SMD Type No. of Contacts Right Angle Type
2208R-XXG-A6063-PT	2208SM-XXG-XXXX-XX	2208SMDI-XXG-XXXX-XX	2208DI-XXG-2230AAL
RoHS Compliant	RoHS Compliant	RoHS Compliant	RoHS Compliant
2.00mm Pin Header Horizontal Entry R/A SMD & Dip Type.	2.00mm Pin Header Double Rows SMD Type.	2.00mm Pin Header Double Rows Double Insulator SMD Type.	2.00mm Pin Header Molding Double Rows Straight EMI Shielding Type.
2208R-XXG-A6063-PT <ul style="list-style-type: none"> PT: Post+Tube PR: Post+Tape&Reel Special Length No. of Contacts Right Angle Type 	2208SM-XXG-XXXX-XX <ul style="list-style-type: none"> Blank: Standard PG: With Peg Length No. of Contacts SMD Type 	2208SMDI-XXG-XXXX-XX <ul style="list-style-type: none"> Blank: Standard PG: With Peg Pin Length No. of Contacts Double Insulators SMD Type 	2208DI-XXG-2230AAL <ul style="list-style-type: none"> Product Code Special Length No. of Contacts Double Insulators

Pin Header & PCB Socket Series

2.00mm

UNIT : mm

2207S-XXG	2207R-XXG	2207TB-XXG-SM-24	2207BR-XXG-XX
RoHS Compliant	RoHS Compliant	RoHS Compliant	RoHS Compliant

2.00mm PCB Socket Double Rows Straight Dip Type(H=4.3).

2207S-XXG
 No. of Contacts
 Straight Type

2.00mm PCB Socket Double Rows Right Angle Dip Type(H=4.85).

2207R-XXG
 No. of Contacts
 Right Angle Type

2.00mm PCB Socket Double Rows SMD Type(H=2.4).

2207TB-XXG-SM-24
 Total Height
 24=2.4mm
 SMD Type
 No. of Contacts
 Bottom Entry Type

2.00mm PCB Socket Double Rows Horizontal Entry Type.

2207BR-XXG-XX
 Blank: Dip Type
 SM: SMD Type
 No. of Contacts
 Horizontal Entry Type

2207SM-XXG-356	2207SM-XXG-45-XX	2207S-XXG-635	2207SM-XXG-635
RoHS Compliant	RoHS Compliant	RoHS Compliant	RoHS Compliant

2.00mm PCB Socket Double Rows SMD Type(H=3.56).

2207SM-XXG-356
 Total Height
 356=3.56mm
 No. of Contacts
 SMD Type

2.00mm PCB Socket Double Rows SMD Type(H=4.5).

2207SM-XXG-45-XX
 Blank: Standard
 PG: With Peg
 Total Height
 45=4.5mm
 No. of Contacts
 SMD Type

2.00mm PCB Socket Double Rows Straight Dip Type(H=6.35).

2207S-XXG-635
 Insulator Height
 635=6.35mm
 No. of Contacts
 Straight Type

2.00mm PCB Socket Double Rows SMD Type(H=6.35).

2207SM-XXG-635
 Insulator Height
 635=6.35mm
 No. of Contacts
 SMD Type

2207S-XXG-935	2207SDI-XXG-935	2207SDI-XXG-XX	2205XX
RoHS Compliant	RoHS Compliant	RoHS Compliant	RoHS Compliant

2.00mm PCB Socket Double Rows Straight Dip Type(H=9.35).

2207S-XXG-935
 Insulator Height
 935=9.35mm
 No. of Contacts
 Straight Type

2.00mm PCB Socket Double Rows Dual Body Elevated.

2207SDI-XXG-935
 Special Length
 935: Standard
 No. of Contacts
 Elevated Type
 Straight Type

2.00mm PCB Socket Double Rows Dual Body Elevated.

2207SDI-XXG-XX
 Special Length
 1A,2B,3A,4B,5A
 Type
 No. of Contacts
 Elevated Type
 Straight Type

2.00mm Mini Jumper.

2205XX
 CG: 3.50mm Height
 Open Type
 BG: 5.00mm Height
 Close Type

Pin Header & PCB Socket Series

2.00mm

UNIT : mm

2204S-XXG	2204R-XXG	2203R-XXG	2203P-XXG-H15-XXXX
2.00mm Wide Body Header Double Rows Straight Dip Type. 2204S-XXG └─ No. of Contacts └─ Straight Type	2.00mm Wide Body Header Double Rows Right Angle Dip Type. 2204R-XXG └─ No. of Contacts └─ Right Angle Type	2.00mm Wide Body Header Triple Rows Right Angle Dip Type. 2203R-XXG └─ No. of Contacts └─ Right Angle Type	2.00mm Pin Header Triple Rows Straight Type (H=1.5). 2203P-XXG-H15-XXXX └─ Special Length └─ Insulator Height H15=1.50mm └─ No. of Contacts └─ Pin Header

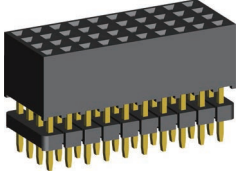
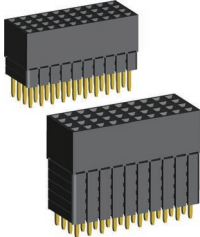
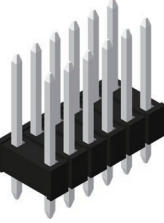
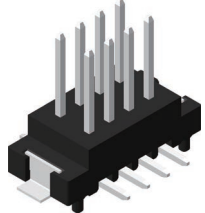
2203PDI-XXG-H15-XXXX	2203S-XXG-635	2203R-XXG-635	2203SDI-XXG-935
2.00mm Pin Header Triple Rows Double Insulators Straight Type (H=1.5). 2203PDI-XXG-H15-XXXX └─ Special Length └─ Insulator Height H15=1.50mm └─ No. of Contacts └─ Double Insulators └─ Pin Header	2.00mm PCB Socket Triple Rows Straight Type (H=6.35). 2203S-XXG-635 └─ Insulator Height 635=6.35mm └─ No. of Contacts └─ Straight Type	2.00mm PCB Socket Triple Rows Right Angle Dip Type. 2203R-XXG-635 └─ Insulator Height 635=6.35mm └─ No. of Contacts └─ Right Angle Type	2.00mm PCB Socket Triple Rows Dual Body Elevated Straight Dip Type. 2203SDI-XXG-935 └─ Special Length 935: Standard └─ No. of Contacts └─ Elevated Type └─ Straight Type

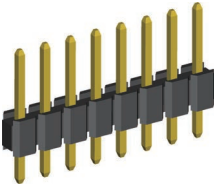
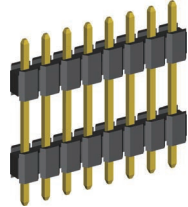

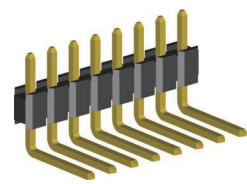
2203SDI-XXG-XX	1999P-XXG-H15-XXXX	1999PDI-XXG-H15-XXXX	1999S-XXG-635
2.00mm PCB Socket Triple Rows Dual Body Elevated Straight Dip Type. 2203SDI-XXG-XX └─ Special Length 1A, 2B, 3A, 4B, 5A Type └─ No. of Contacts └─ Elevated Type └─ Straight Type	2.00mm Pin Header Quadruple Rows Straight Dip Type (H=1.5). 1999P-XXG-H15-XXXX └─ Special Length └─ Blank: Standard └─ Insulator Height H15=1.50mm └─ No. of Contacts └─ Pin Header	2.00mm Pin Header Quadruple Rows Double Insulator Straight Dip Type. 1999PDI-XXG-H15-XXXX └─ Special Length └─ Insulator Height H15=1.50mm └─ No. of Contacts └─ Double Insulators └─ Pin Header	2.00mm PCB Socket Quadruple Rows Straight Dip Type (H=6.35). 1999S-XXG-635 └─ Insulator Height 635=6.35mm └─ No. of Contacts └─ Straight Type

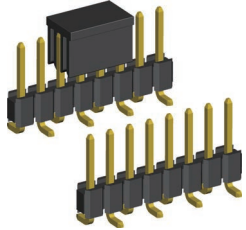
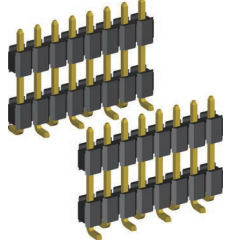
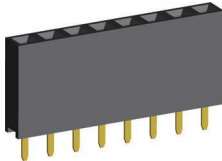
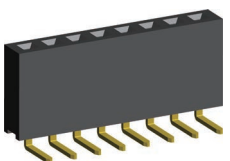
Pin Header & PCB Socket Series

2.00 / 2.2X3.8 / 2.4X3.5 / 2.50mm

UNIT : mm

1999SDI-XXG-935	1999SDI-XXG-XX	2302S-XXT-XXXX-W62	2039SM-XXT-XXXXAPR
			
RoHS Compliant	RoHS Compliant	RoHS Compliant	RoHS Compliant
2.00mm PCB Socket Quadruple Rows Dual Body Elevated Straight Dip Type.	2.00mm PCB Socket Quadruple Rows Dual Body Elevated Straight Dip Type.	2.2X3.8mm Pin Header Double Rows Straight Dip Type.	2.4X3.5mm Pin Header Double Rows SMT Type.
1999SDI-XXG-935 Special Length 935: Standard No. of Contacts Elevated Type Straight Type	1999SDI-XXG-XX Special Length 1A, 2B, 3A, 4B, 5A Type No. of Contacts Elevated Type Straight Type	2302S-XXT-XXXX-W62 Special Length No. of Contacts Straight Type	2039SM-XXT-XXXXAPR Special Length No. of Contacts SMT Type

2411S-XXG	2411DI-XXG-XXXX	2411R-XXG	2411R-XXG-752634
			
RoHS Compliant	RoHS Compliant	RoHS Compliant	RoHS Compliant
2.50mm Pin Header Single Row Straight Dip Type.	2.50mm Pin Header Single Row Double Insulators Straight Dip Type.	2.50mm Pin Header Single Row Right Angle Dip Type.	2.50mm Pin Header Single Row Right Angle Dip Type.
2411S-XXG No. of Contacts Straight Type	2411DI-XXG-XXXX Special Length No. of Contacts Double Insulators	2411R-XXG No. of Contacts Right Angle Type	2411R-XXG-752634 Special Length No. of Contacts Right Angle Type

2411SM-XXG-BX	2411SMDI-XXG-BX	2412S-XXG-85	2412R-XXG-85
			
RoHS Compliant	RoHS Compliant	RoHS Compliant	RoHS Compliant
2.50mm Pin Header Single Row SMD Type.	2.50mm Pin Header Single Row Double Insulators SMD Type.	2.50mm PCB Socket Single Row Straight Dip Type.	2.50mm PCB Socket Single Row Right Angle Dip Type.
2411SM-XXG-BX B1, B2 Type No. of Contacts SMD Type	2411SMDI-XXG-BX B1, B2 Type No. of Contacts Double Insulators SMD Type	2412S-XXG-85 Insulator Height 85=8.5mm No. of Contacts Straight Type	2412R-XXG-85 Insulator Height 85=8.5mm No. of Contacts Right Angle Type

Pin Header & PCB Socket Series

2.50 / 2.54mm



Neltron Industrial Co., Ltd.

UNIT : mm

2412SM-XXG-85-BX	2413S-XXG	2413DI-XXG-XXXX	2413R-XXG
RoHS Compliant	RoHS Compliant	RoHS Compliant	RoHS Compliant

2.50mm PCB Socket Single Row SMD Type.

2.50mm Pin Header Double Rows Straight Dip Type.

2.50mm Pin Header Double Rows Double Insulators Straight Dip Type.

2.50mm Pin Header Double Rows Right Angle Dip Type.

2412SM-XXG-85-BX
 B1,B2 Type
 Insulator Height 85=8.5mm
 No. of Contacts
 SMD Type

2413S-XXG
 No. of Contacts
 Straight Type

2413DI-XXG-XXXX
 Special Length
 No. of Contacts
 Double Insulators

2413R-XXG
 No. of Contacts
 Right Angle Type

2413SM-XXG	2413SMDI-XXG-XXXX	2414S-XXG-85	2414R-XXG-85
RoHS Compliant	RoHS Compliant	RoHS Compliant	RoHS Compliant

2.50mm Pin Header Double Rows SMD Type.

2.50mm Pin Header Double Rows Double Insulators SMD Type.

2.50mm PCB Socket Double Rows Straight Dip Type.

2.50mm PCB Socket Double Rows Right Angle Dip Type.

2413SM-XXG
 No. of Contacts
 SMD Type

2413SMDI-XXG-XXXX
 Special Length
 No. of Contacts
 Double Insulators
 SMD Type

2414S-XXG-85
 Insulator Height 85=8.5mm
 No. of Contacts
 Straight Type

2414R-XXG-85
 Insulator Height 85=8.5mm
 No. of Contacts
 Right Angle Type

2414SM-XXG-85	2211S-XXG	2211S-XXG-XXXXH20	2211DI-XXG-XXXX
RoHS Compliant	RoHS Compliant	RoHS Compliant	RoHS Compliant

2.50mm PCB Socket Double Rows SMD Type.

2.54mm Pin Header Single Row Straight Dip Type.

2.54mm Pin Header Single Row Straight Type.

2.54mm Pin Header Single Row Double Insulators Straight Dip Type.

2414SM-XXG-85
 Insulator Height 85=8.5mm
 No. of Contacts
 SMD Type

2211S-XXG
 No. of Contacts
 Straight Type

2211S-XXG-XXXXH20
 Insulator Height 2.0mm
 Special Length
 No. of Contacts
 Straight Type

2211DI-XXG-XXXX
 Special Length
 No. of Contacts
 Double Insulators

Pin Header & PCB Socket Series

2.54mm

UNIT : mm

2211R-XXG	2211R-XXG-LP	2211R-XXG-SM	2211SM-XXG-BX

2.54mm Pin Header Single Row Right Angle Dip Type.

2.54mm Pin Header Single Row R/A Dip Type (Low Profile Type).

2.54mm Pin Header Single Row R/A SMD Type.

2.54mm Pin Header Single Row SMD Type.

2211R-XXG
 No. of Contacts
 Right Angle Type

2211R-XXG-LP
 Low Profile Type
 No. of Contacts
 Right Angle Type

2211R-XXG-SM
 SMD Type
 No. of Contacts
 Right Angle Type

2211SM-XXG-BX
 B1, B2 Type
 No. of Contacts
 SMD Type

2211SMDI-XXG-BX-XXXX	2212S-XXG-36	2212S-XXG-50	2212S-XXG-57

2.54mm Pin Header Single Row Double Insulator SMD Type.

2.54mm PCB Socket Single Row Two Sides Contact.

2.54mm PCB Socket Single Row Three Sides Contact Straight.

2.54mm PCB Socket Single Row Two Sides Contact Straight.

2211SMDI-XXG-BX-XXXX
 Special Length
 B1, B2 Type
 No. of Contacts
 Double Insulators
 SMD Type

2212S-XXG-36
 Insulator Height
 36=3.6mm
 No. of Contacts
 Straight Type

2212S-XXG-50
 Insulator Height
 50=5.0mm
 No. of Contacts
 Straight Type

2212S-XXG-57
 Insulator Height
 57=5.7mm
 No. of Contacts
 Straight Type

2212S-XXG-72	2212S-XXG-85	2212S-XXG-85-SJ	2212S-XXG-110

2.54mm PCB Socket Single Row Three Sides Contact Straight.

2.54mm PCB Socket Single Row Two Sides Contact Straight.

2.54mm PCB Socket Single Row Three Sides Contact Straight.

2.54mm PCB Socket Single Row Two Sides Contact Straight Dip Type(H=11.0).

2212S-XXG-72
 Insulator Height
 72=7.2mm
 No. of Contacts
 Straight Type

2212S-XXG-85
 Insulator Height
 85=8.5mm
 No. of Contacts
 Straight Type

2212S-XXG-85-SJ
 3 Sides Contact
 Insulator Height
 85=8.5mm
 No. of Contacts
 Straight Type

2212S-XXG-110
 Insulator Height
 110=11.00mm
 No. of Contacts
 Straight Type

Pin Header & PCB Socket Series

2.54mm

UNIT : mm

2212S-XXG-115	2212111-XXG-XX	2212TB-XXG-BX	2212TB-XXG-85-XX
RoHS Compliant	RoHS Compliant	RoHS Compliant	RoHS Compliant

2.54mm PCB Socket Single Row Two Sides Contact Straight Dip Type(H=11.5).

2.54mm PCB Socket Single Row Two Sides Contact Dual Body Elevated Straight Dip Type.

2.54mm PCB Socket Single Row Three Sides Contact Bottom Entry Dip Type(H=5.0).

2.54mm PCB Socket Single Row Four Sides Contact Bottom Entry Dip Type(H=8.5).

2212S-XXG-115
 Insulator Height 115=11.5mm
 No. of Contacts Straight Type

2212111-XXG-XX
 Special Length
 No. of Contacts Straight Type

2212TB-XXG-BX
 B1,B2 Type
 No. of Contacts Bottom Entry Type

2212TB-XXG-85-XX
 Pitch Type
 02=3.17mm
 04=3.96mm
 05=5.08mm
 Insulator Height 85=8.50mm
 No. of Contacts Bottom Entry Type

2212R-XXG-XX	2212SM-XXG-50-BX	2212SM-XXG-75-BX	2212SM-XXG-85-BX-SJ
RoHS Compliant	RoHS Compliant	RoHS Compliant	RoHS Compliant

2.54mm PCB Socket Single Row Two Sides Contact Right Angle Dip Type(H=8.5,H=5.7).

2.54mm PCB Socket Single Row Three Sides Contact SMD Type(H=5.0).

2.54mm PCB Socket Single Row Three Sides Contact SMD Type(H=7.5).

2.54mm PCB Socket Single Row Three Sides Contact SMD Type (H=8.5).

2212R-XXG-XX
 Insulator Height 85=8.5mm
 57=5.7mm
 No. of Contacts Right Angle Type

2212SM-XXG-50-BX
 B1,B2 Type
 Total Height: 5.0mm
 No. of Contacts SMD Type

2212SM-XXG-75-BX
 B1,B2 Type
 Total Height: 7.5mm
 No. of Contacts SMD Type

2212SM-XXG-85-BX-SJ
 Three Sides Contact
 B1,B2 Type
 Plastic Height: 8.5mm
 No. of Contacts SMD Type

2212SM-XXG-85-BX	2212BR-XXG-XX	2214S-XXG-36	2214S-XXG-50
RoHS Compliant	RoHS Compliant	RoHS Compliant	RoHS Compliant

2.54mm PCB Socket Single Row Three Sides Contact SMD Type (H=8.5).

2.54mm PCB Socket Single Row Horizontal Entry Three Sides Contact SMD Type(H=3.4).

2.54mm PCB Socket Double Rows Two Sides Contact Straight Dip Type(H=3.6).

2.54mm PCB Socket Double Rows Three Sides Contact Straight Dip Type(H=5.0).

2212SM-XXG-85-BX
 B1,B2 Type
 Insulator Height 85=8.5mm
 No. of Contacts SMD Type

2212BR-XXG-XX
 SM: SMD Type
 Blank: Dip Type
 No. of Contacts Horizontal Entry Type

2214S-XXG-36
 Insulator Height 36=3.6mm
 No. of Contacts Straight Type

2214S-XXG-50
 Insulator Height 50=5.0mm
 No. of Contacts Straight Type

Pin Header & PCB Socket Series

2.54mm

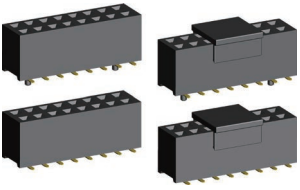
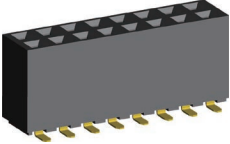
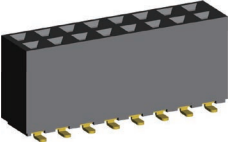

UNIT : mm

2214S-XXG-57	2214S-XXG-72	2214S-XXG-85	2214S-XXG-85-SJ
RoHS Compliant	RoHS Compliant	RoHS Compliant	RoHS Compliant
2.54mm PCB Socket Double Rows Two Sides Contact Straight Dip Type(H=5.7).	2.54mm PCB Socket Double Rows Three Sides Contact Straight Dip Type(H=7.2).	2.54mm PCB Socket Double Rows Two Sides Contact Straight Dip Type(H=8.5).	2.54mm PCB Socket Double Rows Three Sides Contact Straight Dip Type(H=8.5).
2214S-XXG-57 Insulator Height 57=5.7mm No. of Contacts Straight Type	2214S-XXG-72 Insulator Height 72=7.2mm No. of Contacts Straight Type	2214S-XXG-85 Insulator Height 85=8.5mm No. of Contacts Straight Type	2214S-XXG-85-SJ 3 Sides Contact Insulator Height 85=8.5mm No. of Contacts Straight Type
2214S-XXG-110	2214S-XXG-115	2214TB-XXG-XX	2214TB-XXG-85-XX
RoHS Compliant	RoHS Compliant	RoHS Compliant	RoHS Compliant
2.54mm PCB Socket Double Rows Two Sides Contact Straight Dip Type(H=11.0).	2.54mm PCB Socket Double Rows Two Sides Contact Straight Dip Type(H=11.5).	2.54mm PCB Socket Double Rows Bottom Entry Three Sides Contact Dip Type.	2.54mm PCB Socket Double Rows Bottom Entry Four Sides Contact Dip Type(H=8.5).
2214S-XXG-110 Insulator Height 110=11.0mm No. of Contacts Straight Type	2214S-XXG-115 Insulator Height 115=11.5mm No. of Contacts Straight Type	2214TB-XXG-XX Row to Row Space 03:3.81mm 05:5.08mm 07:7.62mm No. of Contacts Bottom Entry Type	2214TB-XXG-85-XX Row to Row Space 06:6.50mm 07:7.62mm Insulator Height 85=8.5mm No. of Contacts Bottom Entry Type
2214R-XXG-XX	2214R-XXG-85-SM-XX	2214SM-XXG-37D-XX	2214SM-XXG-50
RoHS Compliant	RoHS Compliant	RoHS Compliant	RoHS Compliant
2.54mm PCB Socket Double Rows Two Sides Contact Right Angle Dip Type(H=8.5,H=5.7).	2.54mm PCB Socket Double Rows Right Angle SMD Type.(H=8.5).	2.54mm PCB Socket Double Rows Three Sides Contact Bottom Entry SMD Type(H=3.7).	2.54mm PCB Socket Double Rows Three Sides Contact SMD Type(H=5.0).
2214R-XXG-XX Insulator Height 85=8.5mm 57=5.7mm No. of Contacts Right Angle Type	2214R-XXG-85-SM-XX Blank: Standard PG: Peg+ Tape & Reel SMD Type Insulator Height 85=8.5mm No. of Contacts Right Angle Type	2214SM-XXG-37D-XX Blank: Standard PG: With Peg Total Height 37=3.7mm No. of Contacts SMD Type	2214SM-XXG-50 Insulator Height 50=5.0mm No. of Contacts SMD Type

Pin Header & PCB Socket Series

2.54mm

UNIT : mm

2214SM-XXG-75-XX	2214SM-XXG-85-SJ	2214SM-XXG-85	2214BR-XXG-XX
			
RoHS Compliant	RoHS Compliant	RoHS Compliant	RoHS Compliant

2.54mm PCB Socket Double Rows
Three Sides Contact SMD
Type(H=7.5).

2.54mm PCB Socket Double Rows
Three Sides Contact SMD Type(H=8.5).

2.54mm PCB Socket Double Rows
Four Side Contact SMD Type(H=8.5).

2.54mm PCB Socket Double Rows
Three Side Contact Horizontal Entry
SMD Type(H=6.1).

2214SM-XXG-75-XX

Blank: Standard
PG: With Peg
Insulator Height
75=7.50mm
No. of Contacts
SMD Type

2214SM-XXG-85-SJ

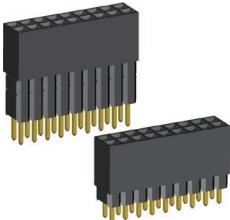
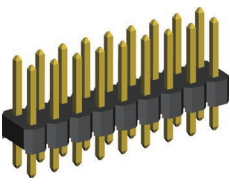
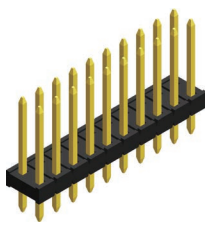
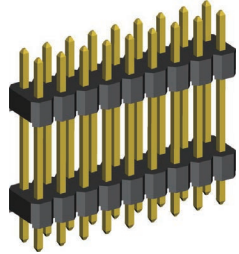
3 Sides Contact
Total Height
85=8.5mm
No. of Contacts
SMD Type

2214SM-XXG-85

Insulator Height
85=8.5mm
No. of Contacts
SMD Type

2214BR-XXG-XX

SM: SMD Type
Blank: Dip Type
No. of Contacts
Horizontal Entry
Type

2214113-XXG-XX	2213S-XXG	2213S-XXG-XXXXH20	2213DI-XXG-XXXX
			
RoHS Compliant	RoHS Compliant	RoHS Compliant	RoHS Compliant

2.54mm PCB Socket Double Rows
Two Sides Contact Dual Body
Elevated Straight Dip Type.

2.54mm Pin Header Double Rows
Straight Dip Type.

2.54mm Pin Header Double Rows
Straight Type.

2.54mm Pin Header Double Rows
Double Insulators Straight Dip Type.

2214113-XXG-XX

Special Length
No. of Contacts
Elevated Type
Straight Type

2213S-XXG

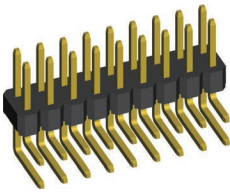
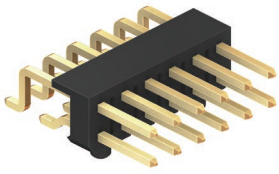
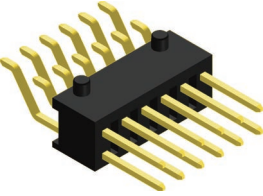
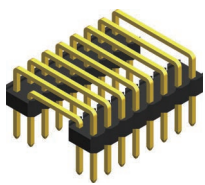
No. of Contacts
Straight Type

2213S-XXG-XXXXH20

Insulator Height
2.0mm
Special Length
No. of Contacts
Straight Type

2213DI-XXG-XXXX

Special Length
No. of Contacts
Double Insulators

2213R-XXG	2213R-XXG-SM-6076AXX	2213R-XXMT-SM-BK-XXXXH66-PR	2213RUDI-XXG-XXXX
			
RoHS Compliant	RoHS Compliant	RoHS Compliant	RoHS Compliant

2.54mm Pin Header Double Rows
Right Angle Dip Type.

2.54mm Pin Header
Double Rows Right Angle SMD
Type.

2.54mm Pin Header Double Rows
Right Angle SMD Type.

2.54mm Pin Header Double Row
R/A Double Insulators Type.

2213R-XXG

No. of Contacts
Right Angle Type

2213R-XXG-SM-6076AXX

PG: With Peg+
Tape&Reel
Length
SMD Type
No. of Contacts
Right Angle Type

2213R-XXMT-SM-BK-XXXXH66-PR

Insulator Height
Length
No. of Contacts
Right Angle Type

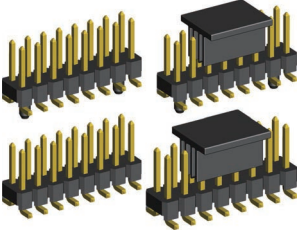
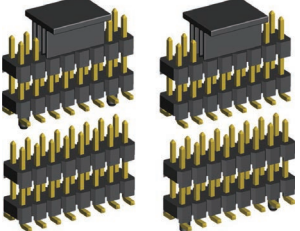
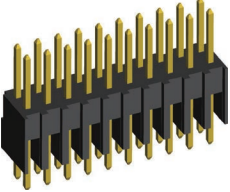
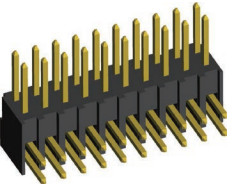
2213RUDI-XXG-XXXX

Special Length
No. of Contacts
R/A Double
Insulators Type

Pin Header & PCB Socket Series

2.54mm

UNIT : mm

2213SM-XXG-XXXX	2213SMDI-XXG-XX-XXXX	2215S-XXG	2215R-XXG
			

2.54mm Pin Header Double Rows SMD Type.

2.54mm Pin Header Double Rows Double Insulator SMD Type.

2.54mm Wide Body Pin Header Double Rows Straight Dip Type.

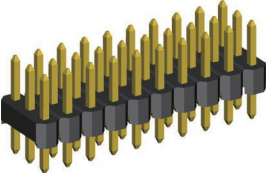
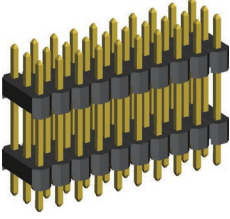
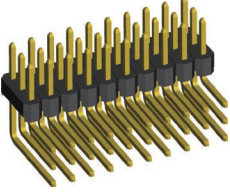
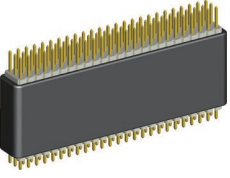
2.54mm Wide Body Pin Header Double Rows R/A Dip Type.

2213SM-XXG-XXXX
 Blank: Standard
 PG: With Peg
 No. of Contacts
 SMD Type

2213SMDI-XXG-XX-XXXX
 Blank: Standard
 PG: With Peg
 Special Length
 No. of Contacts
 Double Insulators
 SMD Type

2215S-XXG
 No. of Contacts
 Straight Type

2215R-XXG
 No. of Contacts
 Right Angle Type

2233S-XXG	2233DI-XXG-XXXX	2233R-XXG	2233DI-XXG-3250AL
			

2.54mm Pin Header Triple Rows Straight Dip Type.

2.54mm Pin Header Triple Rows Double Insulators Straight Dip Type.

2.54mm Pin Header Triple Rows Right Angle Dip Type.

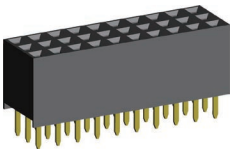
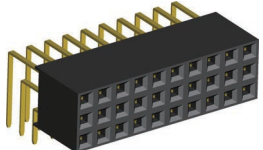
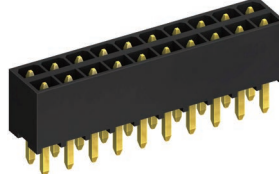
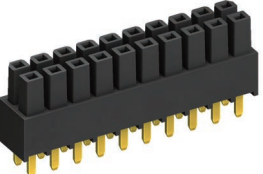
2.54mm Pin Header Molding Triple Rows EMI Shielding Straight Dip Type.

2233S-XXG
 No. of Contacts
 Straight Type

2233DI-XXG-XXXX
 Special Length
 No. of Contacts
 Double Insulators

2233R-XXG
 No. of Contacts
 Right Angle Type

2233DI-XXG-3250AL
 Special Length
 No. of Contacts
 Double Insulators

2234S-XXG-85	2234R-XXG-85	2245S-XXG-63	2244S-XXG-85
			

2.54mm PCB Socket Triple Rows Straight Dip Type (H=8.5).

2.54mm PCB Socket Triple Rows Right Angle Dip Type (H=8.5).

2.54mm Pin Header Double Rows Straight Type.

2.54mm PCB Socket Double Row Straight Type.

2234S-XXG-85
 Insulator Height
 85=8.5mm
 No. of Contacts
 Straight Type

2234R-XXG-85
 Insulator Height
 85=8.5mm
 No. of Contacts
 Right Angle Type

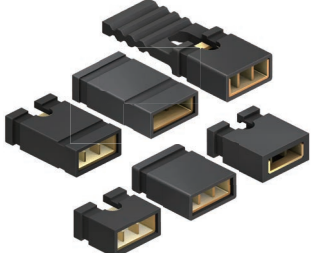
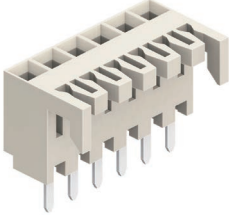
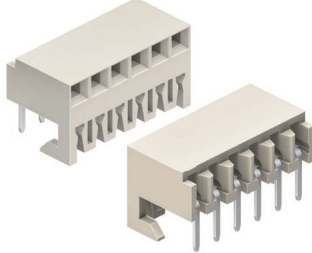
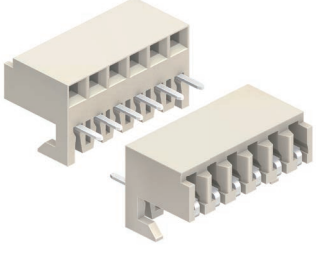
2245S-XXG-63
 No. of Contacts
 Straight Type

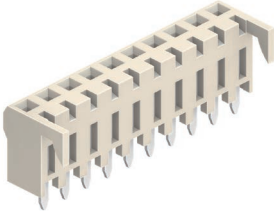
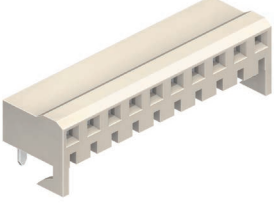
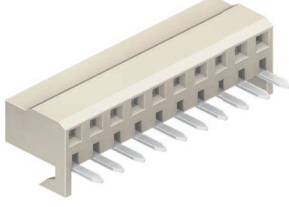
2244S-XXG-85
 No. of Contacts
 Straight Type

Pin Header & PCB Socket Series

2.54 / 3.96mm

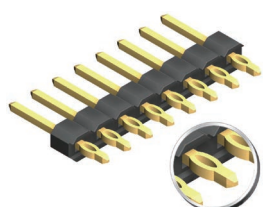
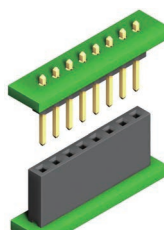
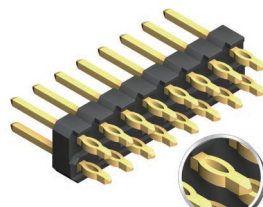
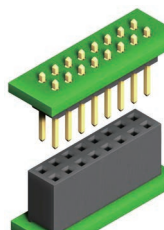
UNIT : mm

2228XG-XX	2224S-XX	2224R-XX	2224BE-XX
 <p>RoHS Compliant</p>	 <p>RoHS Compliant</p>	 <p>RoHS Compliant</p>	 <p>RoHS Compliant</p>
<p>2.54mm Mini Jumper (Shunt).</p> <p>2228XG-XX Insulator Color Total Height A: 4.5mm/ B: 6.47mm C: 6.0mm/ D: 8.0mm E: 8.0mm/ G: 13.0mm</p>	<p>2.54mm PCB Socket Straight Dip Type.</p> <p>2224S-XX No. of Contacts Straight Type</p>	<p>2.54mm PCB Socket Right Angle Dip Type.</p> <p>2224R-XX No. of Contacts Right Angle Type</p>	<p>2.54mm PCB Socket Bottom Entry Dip Type.</p> <p>2224BE-XX No. of Contacts Bottom Entry Type</p>

41815S-XX	41815R-XX	41815BE-XX
 <p>RoHS Compliant</p>	 <p>RoHS Compliant</p>	 <p>RoHS Compliant</p>
<p>3.96mm PCB Socket Straight Dip Type.</p> <p>41815S-XX No. of Contacts Straight Type</p>	<p>3.96mm PCB Socket Right Angle Dip Type.</p> <p>41815R-XX No. of Contacts Right Angle Type</p>	<p>3.96mm PCB Socket Bottom Entry Dip Type.</p> <p>41815BE-XX No. of Contacts Bottom Entry Type</p>

2.54mm

UNIT : mm

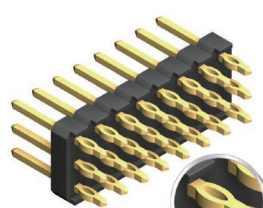
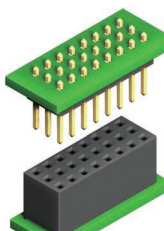
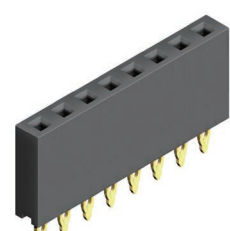
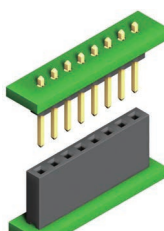
2211PFS-XXG		2213PFS-XXG	
			
RoHS Compliant	Mating:2212PFS-XXG Series.	RoHS Compliant	Mating:2214PFS-XXG Series.

2211PFS-XXG
 No. of Contacts
 Straight Type
 PF: Press-Fit

2211PFS-XXG Series:
 2.54mm Pin Header Single Rows
 Straight Dip & Press-Fit Type.
 Mating Part:
 2211PFS-XXG Mating
 2212PFS-XXG Series.

2213PFS-XXG
 No. of Contacts
 Straight Type
 PF: Press-Fit

2213PFS-XXG Series:
 2.54mm Pin Header Double Rows
 Straight Dip & Press-Fit Type.
 Mating Part:
 2213PFS-XXG Mating
 2214PFS-XXG Series.

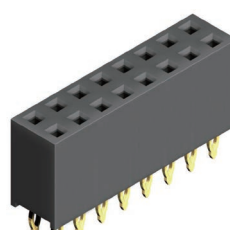
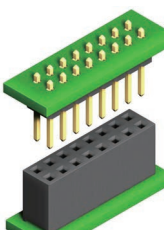
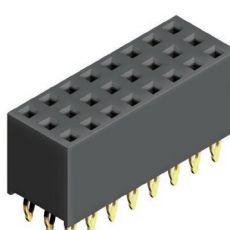
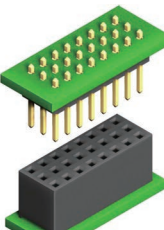
2233PFS-XXG		2212PFS-XXG	
			
RoHS Compliant	Mating:2234PFS-XXG Series.	RoHS Compliant	Mating:2211PFS-XXG Series.

2233PFS-XXG
 No. of Contacts
 Straight Type
 PF: Press-Fit

2233PFS-XXG Series:
 2.54mm Pin Header Triple Rows
 Straight Dip & Press-Fit Type.
 Mating Part:
 2233PFS-XXG Mating
 2234PFS-XXG Series.

2212PFS-XXG
 No. of Contacts
 Straight Type
 PF: Press-Fit

2212PFS-XXG Series:
 2.54mm PCB Socket Single Rows
 Straight Dip & Press-Fit Type.
 Mating Part:
 2212PFS-XXG Mating
 2211PFS-XXG Series.


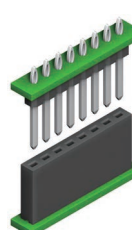

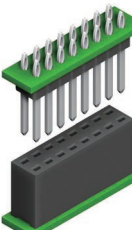
2214PFS-XXG		2234PFS-XXG	
			
RoHS Compliant	Mating:2213PFS1-XXG Series.	RoHS Compliant	Mating:2233 Series.

2214PFS-XXG
 No. of Contacts
 Straight Type
 PF: Press-Fit

2214PFS-XXG Series:
 2.54mm PCB Socket Double
 Rows Straight Dip & Press-Fit Type.
 Mating Part:
 2214PFS-XXG Mating
 2213PFS1-XXG Series.

2234PFS-XXG
 No. of Contacts
 Straight Type
 PF: Press-Fit

2234PFS-XXG Series:
 2.54mm PCB Socket Triple Rows
 Straight Dip & Press-Fit Type.
 Mating Part:
 2234PFS-XXG Mating
 2233 Series.

2211PFS-XXT-A		2213PFS-XXT-A	
			
RoHS Compliant	Mating:2212PFS-XXG-A Series.	RoHS Compliant	Mating:2214PFS-XXG-A Series.

2211PFS-XXT-A
 No. of Contacts
 Straight Type
 PF: Press-Fit

2211PFS-XXT-A Series:
 2.54mm Pin Header Single
 Rows Straight Dip & Press-Fit Type.
 2211PFS-XXT-A Mating
 2212PFS-XXG-A Series.


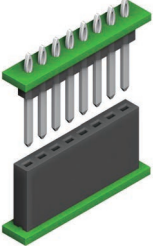

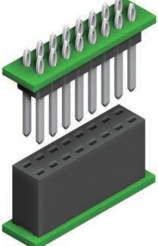
2213PFS-XXT-A
 No. of Contacts
 Straight Type
 PF: Press-Fit

2213PFS-XXT-A Series:
 2.54mm Pin Header Double Rows
 Straight Dip & Press-Fit Type.
 2213PFS-XXT-A Mating
 2214PFS-XXG-A Series.

Press-Fit Series

2.54 / 3.50 / 4.00mm

UNIT : mm


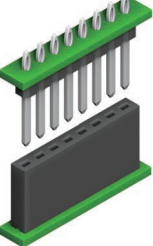

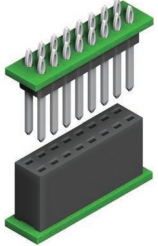
2351PFS-XXT-A		2353PFS-XXT-A	
			
RoHS Compliant	Mating:2352PFS-XXG-A Series.	RoHS Compliant	Mating:2354PFS-XXG-A Series.

2351PFS-XXT-A
 No. of Contacts
 Straight Type
 PF: Press-Fit

2351PFS-XXT-A Series:
 3.50mm Pin Header Single Rows
 Straight Dip & Press-Fit Type.
 2351PFS-XXT-A Mating
 2352PFS-XXG-A Series.

2353PFS-XXT-A
 No. of Contacts
 Straight Type
 PF: Press-Fit

2353PFS-XXT-A Series:
 3.50mm Pin Header Double Rows
 Straight Dip & Press-Fit Type.
 2353PFS-XXT-A Mating
 2354PFS-XXG-A Series.

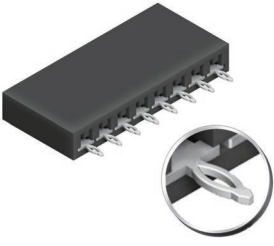
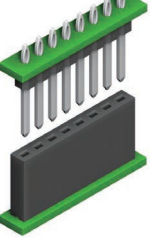
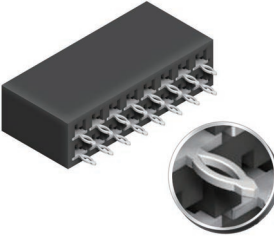
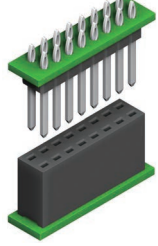
2401PFS-XXT-A		2403PFS-XXT-A	
			
RoHS Compliant	Mating:2402PFS-XXG-A Series.	RoHS Compliant	Mating:2404PFS-XXG-A Series.

2401PFS-XXT-A
 No. of Contacts
 Straight Type
 PF: Press-Fit

2401PFS-XXT-A Series:
 4.00mm Pin Header Single Rows
 Straight Dip & Press-Fit Type.
 2401PFS-XXT-A Mating
 2402PFS-XXG-A Series.

2403PFS-XXT-A
 No. of Contacts
 Straight Type
 PFS: Press-Fit

2403PFS-XXT-A Series:
 4.00mm Pin Header Double Rows
 Straight Dip & Press-Fit Type.
 Mating Part:
 2403PFS-XXT-A Mating
 2404PFS-XXG-A Series.

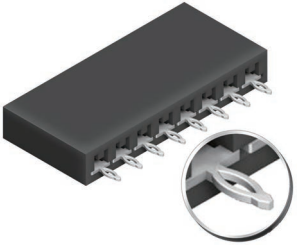
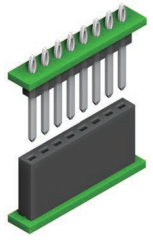
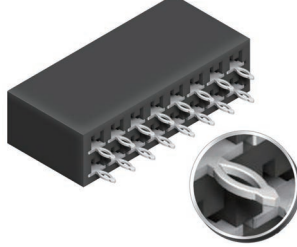
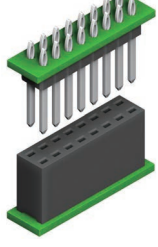
2212PFS-XXG-A		2214PFS-XXG-A	
			
RoHS Compliant	Mating:2211PFS-XXT-A Series.	RoHS Compliant	Mating:2213PFS-XXT-A Series.

2212PFS-XXG-A
 No. of Contacts
 Straight Type
 PFS: Press-Fit

2212PFS-XXG-A Series:
 2.54mm PCB Socket Single
 Rows Straight Dip & Press-Fit Type.
 2212PFS-XXG-A Mating
 2211PFS-XXT-A Series.

2214PFS-XXG-A
 No. of Contacts
 Straight Type
 PFS: Press-Fit

2214PFS-XXG-A Series:
 2.54mm PCB Socket Double Rows
 Straight Dip & Press-Fit Type.
 2214PFS-XXG-A Mating
 2213PFS-XXT-A Series.

2352PFS-XXG-A		2353PFS-XXG-A	
			
RoHS Compliant	Mating:2351PFS-XXT-A Series.	RoHS Compliant	Mating:2353PFS-XXT-A Series.

2352PFS-XXG-A
 No. of Contacts
 Straight Type
 PFS: Press-Fit

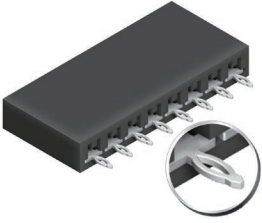
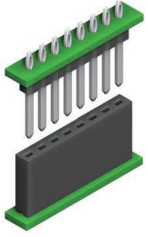
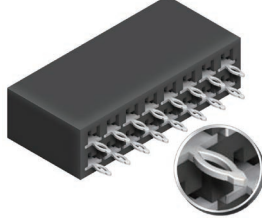
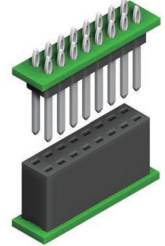
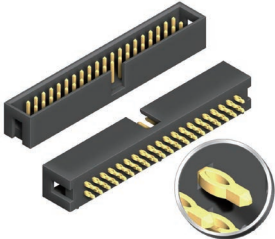
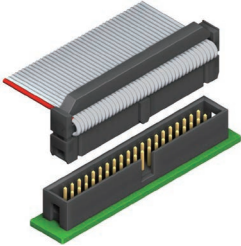


2351PFS-XXT-A Series:
 3.50mm PCB Socket Single Rows
 Straight Dip & Press-Fit Type.
 2352PFS-XXG-A Mating
 2351PFS-XXT-A Series.

2353PFS-XXG-A
 No. of Contacts
 Straight Type
 PFS: Press-Fit

2353PFS-XXG-A Series:
 3.50mm PCB Socket Double Rows
 Straight Dip & Press-Fit Type.
 2354PFS-XXG-A Mating
 2353PFS-XXT-A Series.

4.00 / 2.54mm

UNIT : mm

2402PFS-XXG-A		2404PFS-XXG-A	
			
RoHS Compliant	Mating:2401PFS-XXT-A Series.	RoHS Compliant	Mating:2403PFS-XXT-A Series.
<p>2402PFS-XXG-A</p> <ul style="list-style-type: none"> No. of Contacts Straight Type PFS: Press-Fit 	<p>2402PFS-XXG-A Series:</p> <p>4.00mm PCB Socket Single Rows Straight Dip & Press-Fit Type.</p> <p>2402PFS-XXG-A Mating</p> <p>2401PFS-XXT-A Series.</p>	<p>2404PFS-XXG-A</p> <ul style="list-style-type: none"> No. of Contacts Straight Type PFS: Press-Fit 	<p>2404PFS-XXG-A Series:</p> <p>4.00mm PCB Socket Double Rows Straight Dip & Press-Fit Type.</p> <p>Mating Part:</p> <p>2404PFS-XXG-A Mating</p> <p>2403PFS-XXT-A Series.</p>
2316PFS-XXG-XX		2216PFS-XXG-XX	
			
RoHS Compliant	Mating:4401 Series.	RoHS Compliant	Mating:4401 Series.
<p>2316PFS-XXG-XX</p> <ul style="list-style-type: none"> Ejector Length 01: Short Ejector 02: Long Ejector No. of Contacts Straight Type PFS: Press-Fit 	<p>2316PFS-XXG-XX Series:</p> <p>2.54mm Box Header Straight Dip & Press-Fit Type.</p> <p>Mating Part:</p> <p>2316PFS-XXG-XX Mating</p> <p>4401 Series.</p>	<p>2216PFS-XXG-XX</p> <ul style="list-style-type: none"> Ejector Length 01: Short Ejector 02: Long Ejector No. of Contacts Straight Type PFS: Press-Fit 	<p>2216PFS-XXG-XX Series:</p> <p>2.54mm Shrouded Header With Ejector Straight Dip & Press-Fit Type.</p> <p>Mating Part:</p> <p>2216PFS-XXG-XX Mating</p> <p>4401 Series.</p>

Box & Shrouded Header Series

1.27X1.27mm

UNIT : mm

2195S-XXG-X		2195R-XXG-X	
RoHS Compliant	Mating:4412 Series.	RoHS Compliant	Mating:4412 Series.

2195S-XXG-X
 Blank W/O Key
 K:With Key
 No. of Contacts
 Straight Type

2195S-XXG-X Series:
 1.27X1.27mm Box Header Straight Dip Type.
 Mating Part:
 2195S-XXG-X Mating 4412 Series.

2195R-XXG-X
 Blank W/O Key
 K:With Key
 No. of Contacts
 Right Angle Type

2195R-XXG-X Series:
 1.27X1.27mm Box Header Right Angle Dip Type.
 Mating Part:
 2195R-XXG-X Mating 4412 Series.

2195SM-XXG-X		2196S-XXG	
RoHS Compliant	Mating:4412 Series.	RoHS Compliant	Mating:4412 Series.

2195SM-XXG-X
 Blank W/O Key
 K:With Key
 No. of Contacts
 SMD Type

2195SM-XXG Series:
 1.27X1.27mm Box Header SMD Type.
 Mating Part:
 2195SM-XXG Mating 4412 Series.

2196S-XXG
 No. of Contacts
 Straight Type

2196S-XXG Series:
 1.27X1.27mm Shrouded Header With Ejector Straight Dip Type.
 Mating Part:
 2196S-XXG Mating 4412 Series.

2196R-XXG		2196SM-XXG	
RoHS Compliant	Mating:4412 Series.	RoHS Compliant	Mating:4412 Series.

2196R-XXG
 No. of Contacts
 Right Angle Type

2196R-XXG Series:
 1.27X1.27mm Shrouded Header With Ejector Right Angle Dip Type.
 Mating Part:
 2196R-XXG Mating 4412 Series.

2196SM-XXG
 No. of Contacts
 SMD Type

2196SM-XXG Series:
 1.27X1.27mm Shrouded Header With Ejector SMD Type.
 Mating Part:
 2196SM-XXG Mating 4412 Series.

2198S-XXG-AX-XX		219899-XXG-960	
RoHS Compliant	Mating:2200SB Series.	RoHS Compliant	Mating:2200SB Series.

2198S-XXG-AX-XX
 Blank: Standard
 PG: With Peg
 Dip Length
 A1=1.9mm
 A2=2.4mm
 A3=3.0mm
 No. of Contacts
 Straight Type

2198S-XXG-AX Series:
 1.27X1.27mm Box Header Without Key Straight Dip Type.
 Mating Part:
 2198S-XXG-AX Mating 2200SB Series.

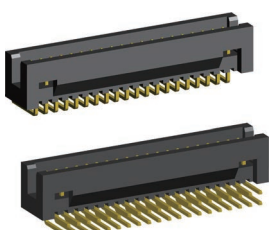
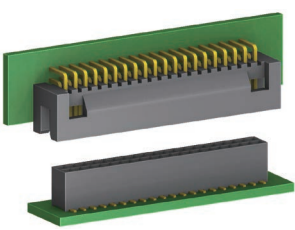
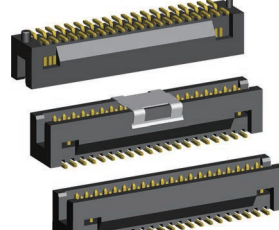
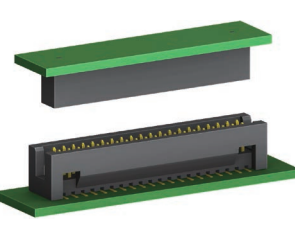
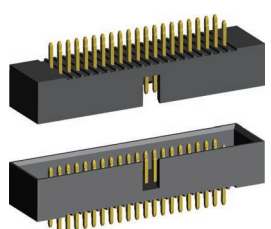
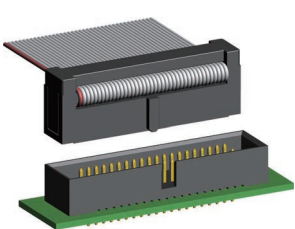
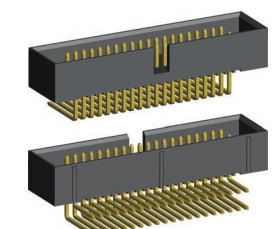
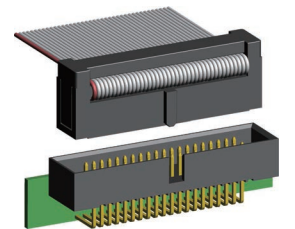
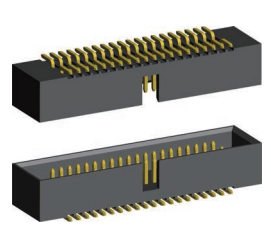
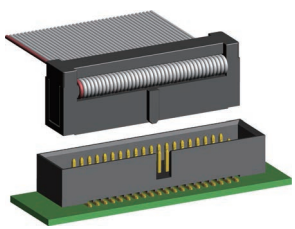
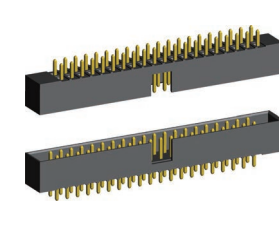
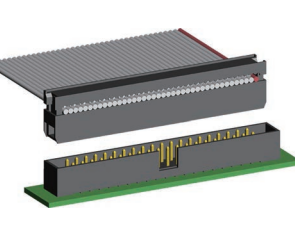
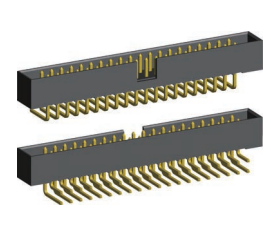
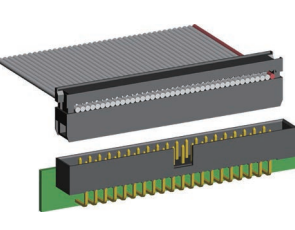
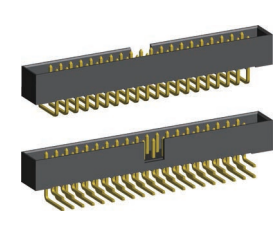
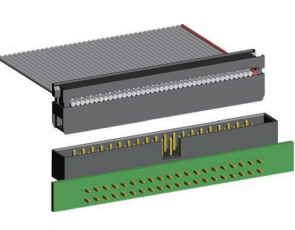
219899-XXG-960
 Special Length
 960:Standard Type
 No. of Contacts
 Straight Type

219899-XXG-960 Series:
 1.27X1.27mm Box Header Without Key Dual Body Elevated Straight Dip Type.
 Mating Part:
 219899-XXG-960 Mating 2200SB Series.

Box & Shrouded Header Series

1.27X1.27 / 1.27X2.54 / 2.00mm

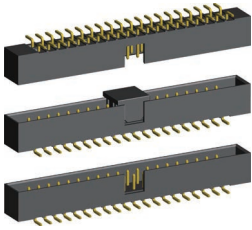
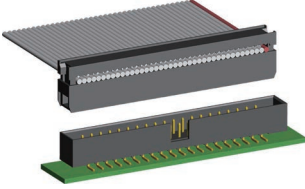
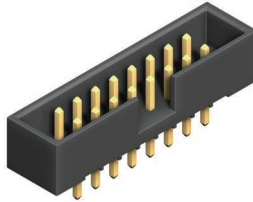
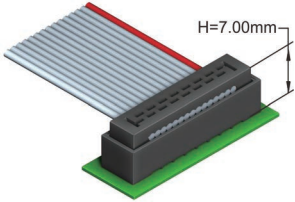
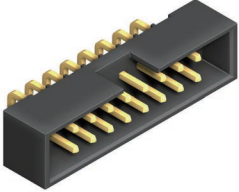
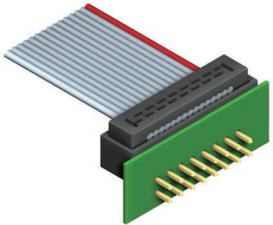
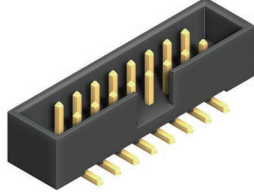
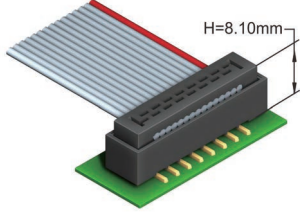
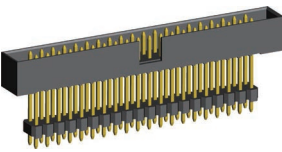
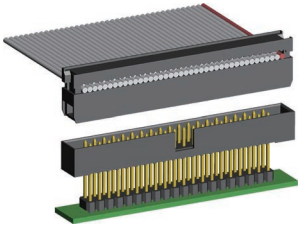
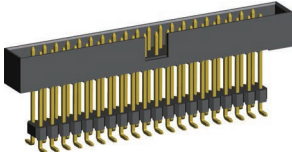
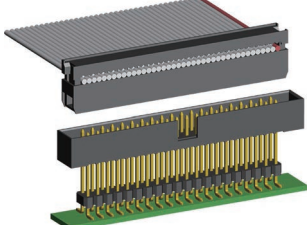
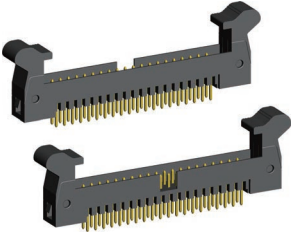
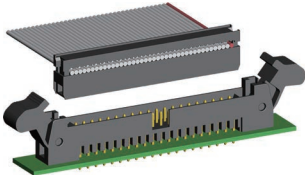
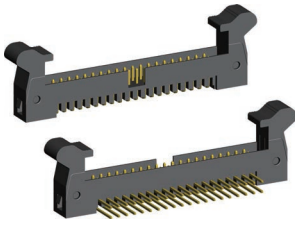
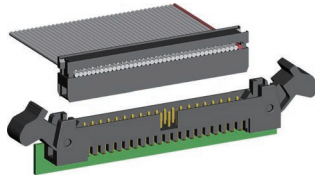
UNIT : mm

2198R-XXG-AX		2198SM-XXG-XX	
			
RoHS Compliant	Mating:2200SB Series.	RoHS Compliant	Mating:2200SB Series.
<p>2198R-XXG-AX</p> <ul style="list-style-type: none"> Dip Length A1=1.9mm A2=2.4mm A3=3.0mm No. of Contacts Right Angle Type 	<p>2198R-XXG-AX Series:</p> <p>1.27X1.27mm Box Header Without Key Right Angle Dip Type.</p> <p>Mating Part: 2198R-XXG-AX Mating 2200SB Series.</p>	<p>2198SM-XXG-XX</p> <ul style="list-style-type: none"> Blank: Standard PG: With Peg No. of Contacts SMD Type 	<p>2198SM-XXG Series:</p> <p>1.27X1.27mm Box Header Without Key SMD Type.</p> <p>Mating Part: 2198SM-XXG Mating 2200SB Series.</p>
2516S-XXG		2516R-XXG	
			
RoHS Compliant	Mating:4501 Series.	RoHS Compliant	Mating:4501 Series.
<p>2516S-XXG</p> <ul style="list-style-type: none"> No. of Contacts Straight Type 	<p>2516S-XXG Series:</p> <p>1.27X2.54mm Box Header Straight Dip Type.</p> <p>Mating Part: 2516S-XXG Mating 4501 Series.</p>	<p>2516R-XXG</p> <ul style="list-style-type: none"> No. of Contacts Right Angle Type 	<p>2516R-XXG Series:</p> <p>1.27X2.54mm Box Header Right Angle Dip Type.</p> <p>Mating Part: 2516R-XXG Mating 4501 Series.</p>
2516SM-XXG		2016S-XXG	
			
RoHS Compliant	Mating:4501 Series.	RoHS Compliant	Mating:4400 Series.
<p>2516SM-XXG</p> <ul style="list-style-type: none"> No. of Contacts SMD Type 	<p>2516SM-XXG Series:</p> <p>1.27X2.54mm Box Header SMD Dip Type.</p> <p>Mating Part: 2516SM-XXG Mating 4501 Series.</p>	<p>2016S-XXG</p> <ul style="list-style-type: none"> No. of Contacts Straight Type 	<p>2016S-XXG Series:</p> <p>2.00mm Box Header Straight Dip Type.</p> <p>Mating Part: 2016S-XXG Mating 4400 Series.</p>
2016R-XXG		2016RR-XXG	
			
RoHS Compliant	Mating:4400 Series.	RoHS Compliant	Mating:4400 Series.
<p>2016R-XXG</p> <ul style="list-style-type: none"> No. of Contacts Right Angle Type 	<p>2016R-XXG Series:</p> <p>2.00mm Box Header Right Angle Dip Type.</p> <p>Mating Part: 2016R-XXG Mating 4400 Series.</p>	<p>2016RR-XXG</p> <ul style="list-style-type: none"> No. of Contacts Reverse Right Angle Type 	<p>2016RR-XXG Series:</p> <p>2.00mm Box Header Reverse Right Angle Dip Type.</p> <p>Mating Part: 2016RR-XXG Mating 4400 Series.</p>

Box & Shrouded Header Series

2.00mm

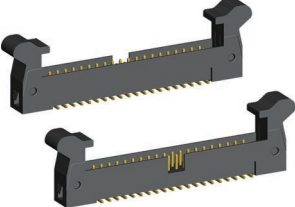
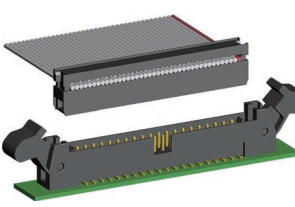
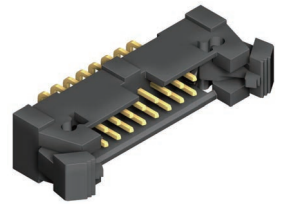
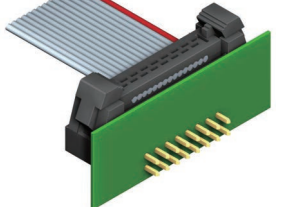
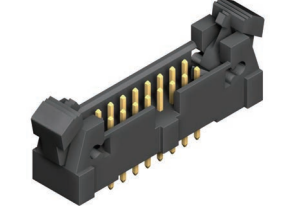
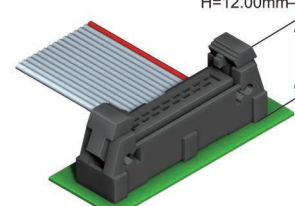
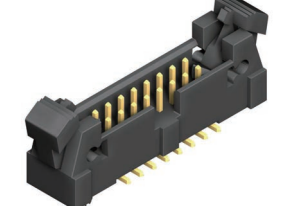
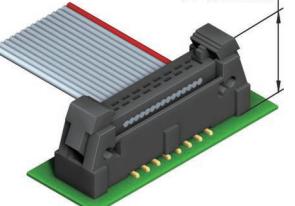
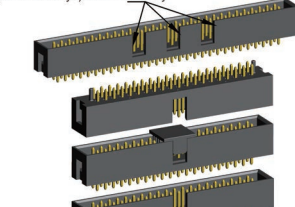
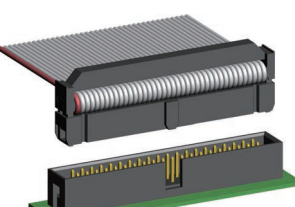
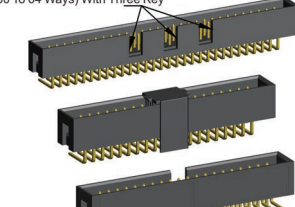
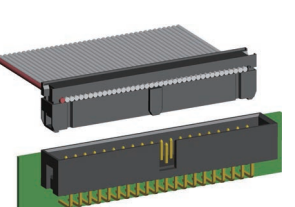
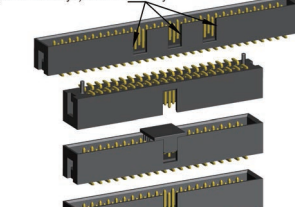
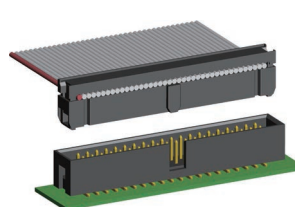
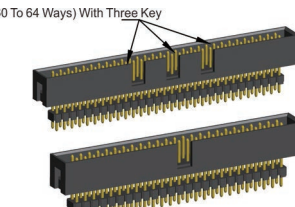
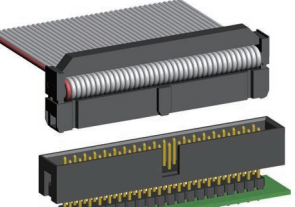
UNIT : mm

2016SM-XXG		2016S-XXG-A	
			
RoHS Compliant	Mating:4400 Series.	RoHS Compliant	Mating:4400-XX-CK-A Series.
2016SM-XXG No. of Contacts SMD Type	2016SM-XXG Series: 2.00mm Box Header SMD Type. Mating Part: 2016SM-XXG Mating 4400 Series.	2016S-XXG-A Low Profile No. of Contacts Straight Type	2016S-XXG-A Series: 2.00mm Box Header Straight Low Profile Type (Mating Height 7.00mm). Mating Part: 2016S-XXG-A Mating 4400-XX-CK-A Series.
2016R-XXG-A		2016SM-XXG-A	
			
RoHS Compliant	Mating:4400-XX-CK-A Series.	RoHS Compliant	Mating:4400-XX-CK-A Series.
2016R-XXG-A Low Profile No. of Contacts Right Angle Type	2016R-XXG-A Series: 2.00mm Box Header Right Angle Low Profile Type. Mating Part: 2016R-XXG-A Mating 4400-XX-CK-A Series.	2016SM-XXG-A Low Profile No. of Contacts SMD Type	2016SM-XXG-A Series: 2.00mm Box Header SMD Low Profile Type(Mating Height 8.10mm). Mating Part: 2016SM-XXG-A Mating 4400-XX-CK-A Series.
201608-XXG-2705		201608SM-XXG-2230	
			
RoHS Compliant	Mating:4400 Series.	RoHS Compliant	Mating:4400 Series.
201608-XXG-2705 Special Length 2705: Standard No. of Contacts Straight Type	201608-XXG-2705 Series: 2.00mm Box Header Dual Body Elevated Straight Dip Type. Mating Part: 201608-XXG-2705 Mating 4400 Series.	201608SM-XXG-2230 Special Length 2230: Standard No. of Contacts SMD Type	201608SM-XXG-2230 Series: 2.00mm Box Header Dual Body Elevated SMD Type. Mating Part: 201608SM-XXG-2230 Mating 4400 Series.
2017S-XXG-XX		2017R-XXG-XX	
			
RoHS Compliant	Mating:4400 Series.	RoHS Compliant	Mating:4400 Series.
2017S-XXG-XX 01: Short Ejector 02: Long Ejector No. of Contacts Straight Type	2017S-XXG-XX Series: 2.00mm Shrouded Header With Ejector Straight Dip Type. Mating Part: 2017S-XXG-XX Mating 4400 Series.	2017R-XXG-XX 01: Short Ejector 02: Long Ejector No. of Contacts Right Angle Type	2017R-XXG-XX Series: 2.00mm Shrouded Header With Ejector Right Angle Dip Type. Mating Part: 2017R-XXG-XX Mating 4400 Series.

Box & Shrouded Header Series

2.00 / 2.54mm

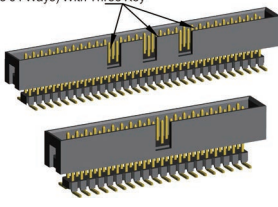
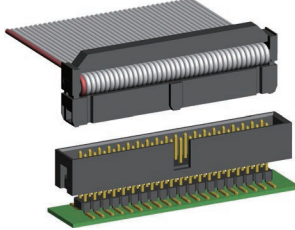
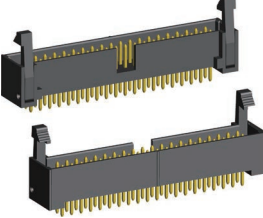
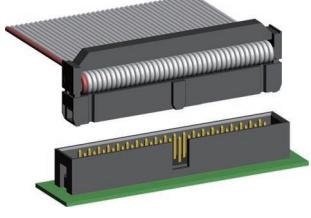
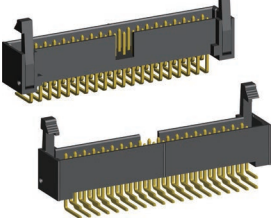
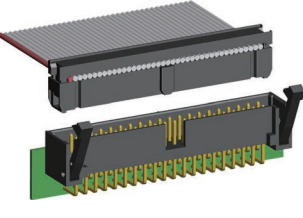
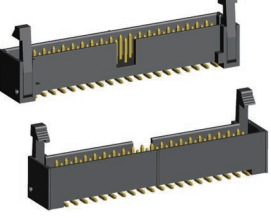
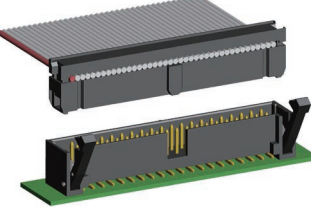
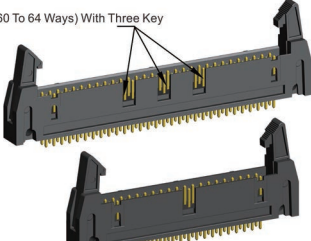
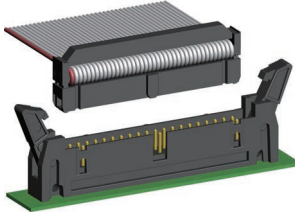
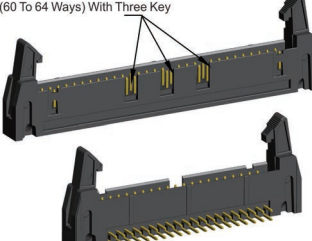
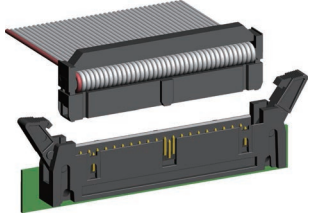
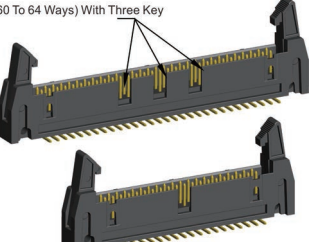
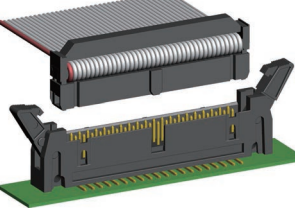
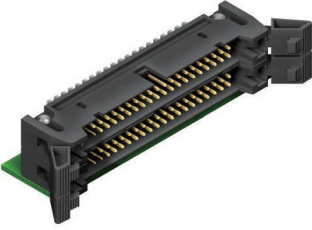
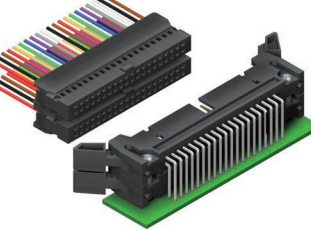
UNIT : mm

2017SM-XXG-XX  RoHS Compliant		2017R-XXG-01A  Mating:4400 Series.		2017R-XXG-01A  RoHS Compliant		 Mating:4400-XX-CK-A Series.	
2017SM-XXG-XX 01: Short Ejector 02: Long Ejector No. of Contacts SMD Type		2017SM-XXG-XX Series: 2.00mm Shrouded Header With Ejector SMD Type. Mating Part: 2017SM-XXG-XX Mating 4400 Series.		2017R-XXG-01A A: Low Profile 01: Short Latch No. of Contacts Right Angle Type		2017R-XXG-01A Series: 2.00mm Shrouded Header With Ejector Right Angle Dip Low Profile Type. Mating Part: 2017R-XXG-01A Mating 4400-XX-CK-A Series.	
2017S-XXG-01A  RoHS Compliant		 H=12.00mm Mating:4400-XX-CK-A Series.		2017SM-XXG-01A  RoHS Compliant		 H=12.00mm Mating:4400-XX-CK-A Series.	
2017S-XXG-01A A: Low Profile 01: Short Ejector No. of Contacts Straight Type		2017S-XXG-01A Series: 2.00mm Shrouded Header With Ejector Straight Dip Low Profile Type (Mating Height 12.00mm). Mating Part: 2017S-XXG-01A Mating 4400-XX-CK-A Series.		2017SM-XXG-01A A: Low Profile 01: Short Latch No. of Contacts SMD Type		2017SM-XXG-01A Series: 2.00mm Shrouded Header With Ejector SMD Low Profile Type (Mating Height 12.00mm). Mating Part: 2017SM-XXG-01A Mating 4400-XX-CK-A Series.	
2316S-XXG-XX (60 To 64 Ways) With Three Key  RoHS Compliant		 Mating:4401 Series.		2316R-XXG (60 To 64 Ways) With Three Key  RoHS Compliant		 Mating:4401 Series.	
2316S-XXG-XX Blank: Standard PG: With Peg No. of Contacts Straight Type		2316S-XXG-XX Series: 2.54mm Box Header Straight Dip Type. Mating Part: 2316S-XXG-XX Mating 4401 Series.		2316R-XXG No. of Contacts Right Angle Type		2316R-XXG Series: 2.54mm Box Header Right Angle Dip Type. Mating Part: 2316R-XXG Mating 4401 Series.	
2316SM-XXG-XX (60 To 64 Ways) With Three Key  RoHS Compliant		 Mating:4401 Series.		2316113-XXG-1500 (60 To 64 Ways) With Three Key  RoHS Compliant		 Mating:4401 Series.	
2316SM-XXG-XX Blank: Standard PG: With Peg No. of Contacts SMD Type		2316SM-XXG-XX Series: 2.54mm Box Header SMD Type. Mating Part: 2316SM-XXG-XX Mating 4401 Series.		2316113-XXG-1500 Special Length 1500=15.0mm No. of Contacts Straight Type		2316113-XXG-1500 Series: 2.54mm Box Header Dual Body Elevated Straight Dip Type. Mating Part: 2316113-XXG-1500 Mating 4401 Series.	

Box & Shrouded Header Series

2.54mm

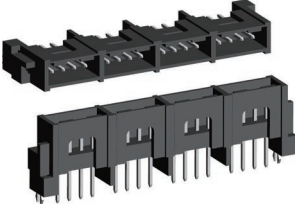
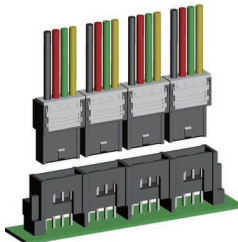
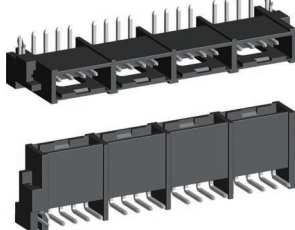
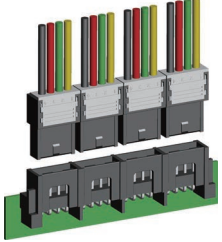
UNIT : mm

2316113SM-XXG-1300		2316S-XXG-XX	
 <p>(60 To 64 Ways) With Three Key</p> <p>RoHS Compliant</p>	 <p>Mating:4401 Series.</p>	 <p>RoHS Compliant</p>	 <p>Mating:4401 Series.</p>
<p>2316113SM-XXG-1300</p> <ul style="list-style-type: none"> Special Length 1300=13.0mm No. of Contacts SMD Type 	<p>2316113SM-XXG-1300 Series: 2.54mm Box Header Dual Body Elevated SMD Type. Mating Part: 2316113SM-XXG-1300 Mating 4401 Series.</p>	<p>2316S-XXG-XX</p> <ul style="list-style-type: none"> Ejector Length 01: Short Ejector 02: Long Ejector No. of Contacts Straight Type 	<p>2316S-XXG-XX Series: 2.54mm Box Header With Ejector Straight Dip Type. Mating Part: 2316S-XXG-XX Mating 4401 Series.</p>
2316R-XXG-XX		2316SM-XXG-XX	
 <p>RoHS Compliant</p>	 <p>Mating:4401 Series.</p>	 <p>RoHS Compliant</p>	 <p>Mating:4401 Series.</p>
<p>2316R-XXG-XX</p> <ul style="list-style-type: none"> Ejector Length 01: Short Ejector 02: Long Ejector No. of Contacts Right Angle Type 	<p>2316R-XXG-XX Series: 2.54mm Box Header With Ejector Right Angle Dip Type. Mating Part: 2316R-XXG-XX Mating 4401 Series.</p>	<p>2316SM-XXG-XX</p> <ul style="list-style-type: none"> Ejector Length 01: Short Ejector 02: Long Ejector No. of Contacts SMD Type 	<p>2316SM-XXG-XX Series: 2.54mm Box Header With Ejector SMD Type. Mating Part: 2316SM-XXG-XX Mating 4401 Series.</p>
2216S-XXG-XX		2216R-XXG-XX	
 <p>(60 To 64 Ways) With Three Key</p> <p>RoHS Compliant</p>	 <p>Mating:4401 Series.</p>	 <p>(60 To 64 Ways) With Three Key</p> <p>RoHS Compliant</p>	 <p>Mating:4401 Series.</p>
<p>2216S-XXG-XX</p> <ul style="list-style-type: none"> Ejector Length 01: Short Ejector 02: Long Ejector No. of Contacts Straight Type 	<p>2216S-XXG-XX Series: 2.54mm Shrouded Header With Ejector Straight Dip Type. Mating Part: 2216S-XXG-XX Mating 4401 Series.</p>	<p>2216R-XXG-XX</p> <ul style="list-style-type: none"> Ejector Length 01: Short Ejector 02: Long Ejector No. of Contacts Right Angle Type 	<p>2216R-XXG-XX Series: 2.54mm Shrouded Header With Ejector Right Angle Dip Type. Mating Part: 2216R-XXG-XX Mating 4401 Series.</p>
2216SM-XXG-XX		2216RB-XXSG-02X	
 <p>(60 To 64 Ways) With Three Key</p> <p>RoHS Compliant</p>	 <p>Mating:4401 Series.</p>	 <p>RoHS Compliant</p>	 <p>Mating:5118H-XXSR Series.</p>
<p>2216SM-XXG-XX</p> <ul style="list-style-type: none"> Ejector Length 01: Short Ejector 02: Long Ejector No. of Contacts SMD Type 	<p>2216SM-XXG-XX Series: 2.54mm Shrouded Header With Ejector SMD Type. Mating Part: 2216SM-XXG-XX Mating 4401 Series.</p>	<p>2216RB-XXSG-02X</p> <ul style="list-style-type: none"> Long Ejector Selective Gold Plated No. of Contacts Double Ports Right Angle Type 	<p>2216RB-XXSG-02X Series: 2.54mm Shrouded Header With Long Ejector Double Ports Right Angle Type. Mating Part: 2216RB-XXSG-02X Mating 5118H-XXSR Series.</p>

Box & Shrouded Header Series





2.54mm

UNIT : mm

2315S-X-XXT		2315R-X-XXT	
 <p>RoHS Compliant</p>	 <p>Mating:2314H-04 Series.</p>	 <p>RoHS Compliant</p>	 <p>Mating:2314H-04 Series.</p>
<p>2315S-X-XXT</p> <ul style="list-style-type: none"> — No. of Contacts — No. of Ports — Straight Type 	<p>2315S-X-XXT Series: 2.54mm PCB Mount Header Straight Dip Type. Mating Part: 2315S-X-XXT Mating 2314H-04 Series.</p>	<p>2315R-X-XXT</p> <ul style="list-style-type: none"> — No. of Contacts — No. of Ports — Right Angle Type 	<p>2315R-X-XXT Series: 2.54mm PCB Mount Header Right Angle Dip Type. Mating Part: 2315R-X-XXT Mating 2314H-04 Series.</p>

1.27 / 2.00mm

UNIT : mm





4411S-XXT-XX		4411R-XXT	
			
RoHS Compliant	Mating:4411H-XX Series.	RoHS Compliant	Mating:4411H-XX Series.

4411S-XXT-XX
 Blank: Without Peg
 PG: With Peg
 No. of Contacts
 Straight Type

4411S-XXT Series:
 1.27mm IDC Connector
 Straight Dip Type.
 Mating Part:
 4411S-XXT Mating
 4411H-XX Series.

4411R-XXT
 No. of Contacts
 Right Angle Type

4411R-XXT Series:
 1.27mm IDC Connector Right
 Angle Dip Type.
 Mating Part:
 4411R-XXT Mating
 4411H-XX Series.


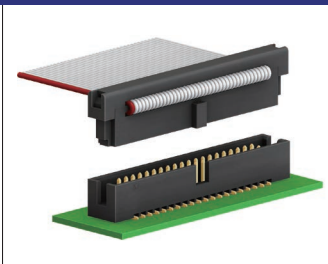

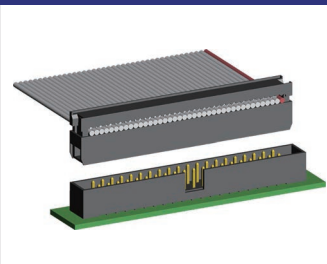
4411SM-XXT		4411H-XX	
			
RoHS Compliant	Mating:4411H-XX Series.	RoHS Compliant	Mating:4411S-XX Series.

4411SM-XXT
 No. of Contacts
 SMD Type

4411SM-XXT Series:
 1.27mm IDC Connector
 SMD Type.
 Mating Part:
 4411SM-XXT Mating
 4411H-XX Series.

4411H-XX
 No. of Contacts
 Housing

4411H-XX Series:
 1.27mm Socket Housing Flat
 Cable IDC Type Connector.
 Mating Part:
 4411H-XX Mating
 4411S(R)(SM)-XX Series.

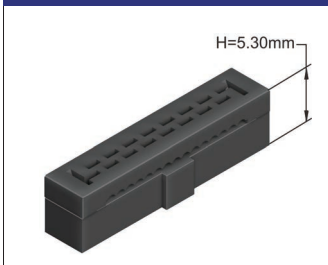
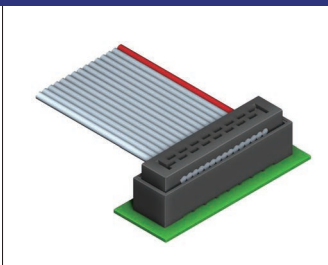

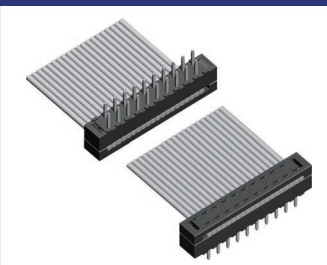
4412-XXSR-CK		4400-XXSR-CK	
			
RoHS Compliant	Mating:2195S-XXG Series.	RoHS Compliant	Mating:2016S-XXG Series.

4412-XXSR-CK
 Blank: Without Center Key
 CK: With Center Key
 Blank: Without Strain Relief
 SR: With Strain Relief
 No. of Contacts

4412-XXSR-CK Series:
 1.27mm IDC Socket.
 Mating Part:
 4412-XXSR-CK Mating
 2195S(R)(SM)-XXG-K Series.

4400-XXSR-CK
 Blank: Without Center Key
 CK: With Center Key
 Blank: Without Strain Relief
 SR: With Strain Relief
 No. of Contacts

4400-XXSR-CK Series:
 2.00mm IDC Socket.
 Mating Part:
 4400-XXSR-CK Mating
 2016S(R)(SM)-XXG Series.

4400-XX-CK-A		4408-XX	
			
RoHS Compliant	Mating:2016X-XXG-A Series.	RoHS Compliant	Mating:PC. Board.

4400-XX-CK-A
 Low Profile
 With Center Key
 No. of Contacts



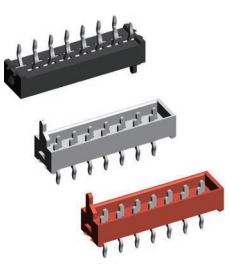

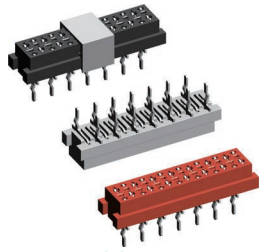

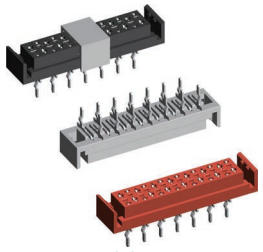
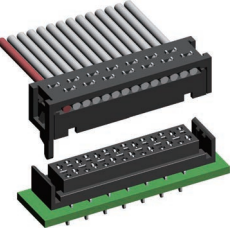
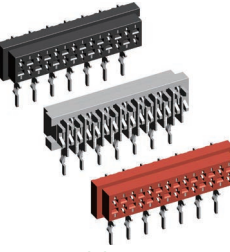

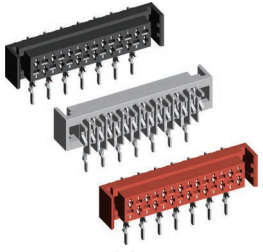

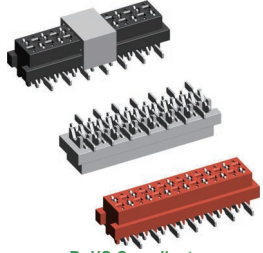
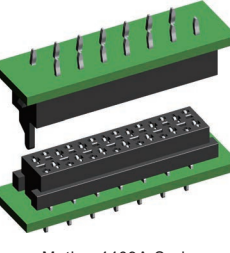
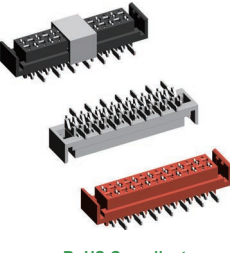

4400-XX-CK-A Series:
 2.00mm IDC Socket Low Profile
 Type .
 Mating Part:
 4400-XX-CK-A Mating
 2016S(R)(SM)-XXG-A Series.

4408-XX
 No. of Contacts

4408-XX Series:
 2.00mm IDC Plug Dip Type.
 4408-XX Mating
 2.0mm PC. Board.


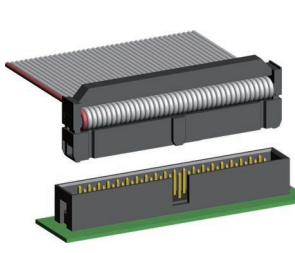
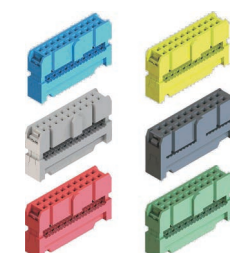
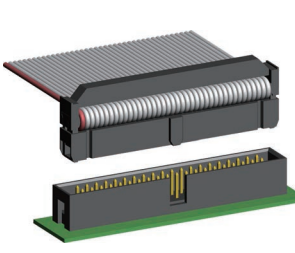
2.54mm

UNIT : mm

4409-XX-XX		4409AP-XX-XX	
			
RoHS Compliant	Mating:4409-XX-XX: PC. Board. 4409A-XX-XX: 4409AS Series.	RoHS Compliant	Mating:4409AR Series.
<p>4409-XX-XX</p> <ul style="list-style-type: none"> Blank: Standard(Red Color) BK: Black WH: White No. of Contacts 4409: Paddle Board Type 4409A: Plug on Wire Type 	<p>4409(A)-XX-XX Series:</p> <p>2.54mm IDC Connector (Paddle Board Type & Plug on Wire Type).</p> <p>Mating Part:</p> <p>4409-XX-XX Mating PC. Board.</p> <p>4409A-XX-XX Mating 4409AR, 4409AS,4409SM Series.</p>	<p>4409AP-XX-XX</p> <ul style="list-style-type: none"> Blank: Standard (Red Color) BK: Black, WH: White No. of Contacts Plug Type 	<p>4409AP-XX Series:</p> <p>2.54mm PCB Connector Plug Dip Type.</p> <p>Mating Part:</p> <p>4409AP-XX Mating 4409AR,4409AS,4409SM Series.</p>
4409AS-XX-XX		4409AS-XX-A-XX	
			
RoHS Compliant	Mating:4409A Series.	RoHS Compliant	Mating:4409A Series.
<p>4409AS-XX-XX</p> <ul style="list-style-type: none"> Blank: Standard(Red Color) BK: Black WH: White No. of Contacts Straight Type 	<p>4409AS-XX Series:</p> <p>2.54mm PCB Connector Socket Straight Dip Type.</p> <p>Mating Part:</p> <p>4409AS-XX Mating 4409A,4409AP Series.</p>	<p>4409AS-XX-A-XX</p> <ul style="list-style-type: none"> Blank: Standard(Red Color) BK: Black, WH: White Blank: Standard, A: With Lock No. of Contacts Straight Type 	<p>4409AS-XX-A Series:</p> <p>2.54mm PCB Connector Socket With Lock Straight Dip Type.</p> <p>Mating Part:</p> <p>4409AS-XX-A Mating 4409A,4409AP Series.</p>
4409AR-XX-XX		4409AR-XX-A-XX	
			
RoHS Compliant	Mating:4409A Series.	RoHS Compliant	Mating:4409A Series.
<p>4409AR-XX-XX</p> <ul style="list-style-type: none"> Blank: Standard(Red Color) BK: Black, WH: White No. of Contacts Right Angle Type 	<p>4409AR-XX Series:</p> <p>2.54mm PCB Connector Socket Right Angle Dip Type.</p> <p>Mating Part:</p> <p>4409AR-XX Mating 4409A,4409AP Series.</p>	<p>4409AR-XX-A-XX</p> <ul style="list-style-type: none"> Blank: Standard(Red Color) BK: Black, WH: White With Lock No. of Contacts Right Angle Type 	<p>4409AR-XX-A-XX Series:</p> <p>2.54mm PCB Connector Socket With Lock Right Angle Dip Type.</p> <p>Mating Part:</p> <p>4409AR-XX-A-XX Mating 4409A,4409AP Series.</p>
4409SM-XX-XX		4409SM-XX-A-XX	
			
RoHS Compliant	Mating:4409A Series.	RoHS Compliant	Mating:4409A Series.
<p>4409SM-XX-XX</p> <ul style="list-style-type: none"> Blank: Standard(Red Color) BK: Black, WH: White No. of Contacts SMD Type 	<p>4409SM-XX Series:</p> <p>2.54mm PCB Connector Socket SMD Type.</p> <p>Mating Part:</p> <p>4409SM-XX Mating 4409A,4409AP Series.</p>	<p>4409SM-XX-A-XX</p> <ul style="list-style-type: none"> Blank: Standard(Red Color) BK: Black, WH: White A: With Lock No. of Contacts SMD Type 	<p>4409SM-XX-A Series:</p> <p>2.54mm PCB Connector Socket With Lock SMD Type.</p> <p>Mating Part:</p> <p>4409SM-XX-A Mating 4409A,4409AP Series.</p>

2.54mm

UNIT : mm


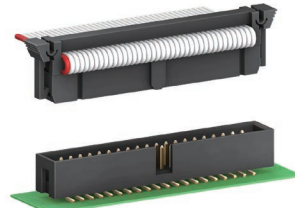
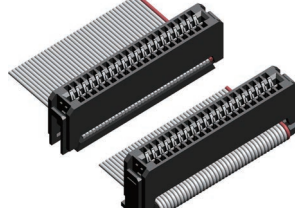
4401-XXSR-XX		4401-XXSR-XX	
			
RoHS Compliant	Mating:2316S Series.	RoHS Compliant	Mating:2316S Series.

4401-XXSR-XX
 Blank: With Center Key
 01: Without Center Key
 Blank: Without Strain Relief
 SR: With Strain Relief
 No. of Contacts

4401-XXSR Series:
 2.54mm IDC Socket.
 Mating Part:
 4401-XXSR Mating
 2316S(R)(SM) Series.

4401-XXSR-XX
 BU: Blue ; GR: Grey
 RD:Red ; YL:Yellow
 GN:Green; WH:White
 SR: With Strain Relief
 No. of Contacts

4401-XXSR Series:
 2.54mm IDC Socket.
 Mating Part:
 4401-XXSR Mating
 2316S(R)(SM) Series.

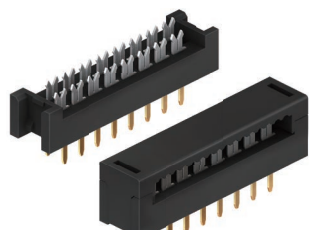
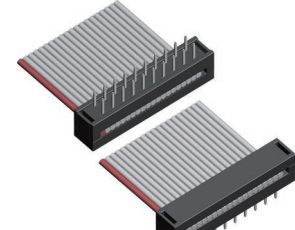
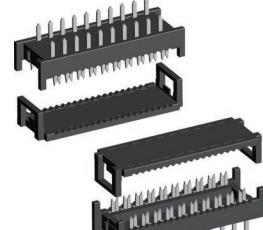
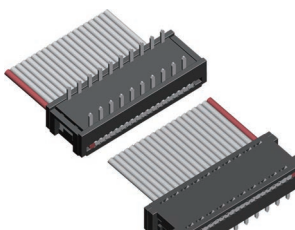
4401-XXSRA-XX-XX		4402-XXSR	
			
RoHS Compliant	Mating:2316SM Series.	RoHS Compliant	Mating:PC. Board.

4401-XXSRA-XX-XX
 Blank Black Color
 BU: Blue; GR: Grey
 Blank: With Center Key
 01: Without Center Key
 SRA: With Butterfly
 Strain Relief
 No. of Contacts

4401-XXSRA Series:
 2.54mm IDC Socket.
 Mating Part:
 4401-XXSRA Mating
 2316S(R)(SM) Series.

4402-XXSR
 Blank: Without Strain Relief
 SR: With Strain Relief
 No. of Contacts

4402-XXSR Series:
 2.54mm Socket IDC Card
 Edge Connector.
 Mating Part:
 4402-XXSR Mating
 PC. Board.

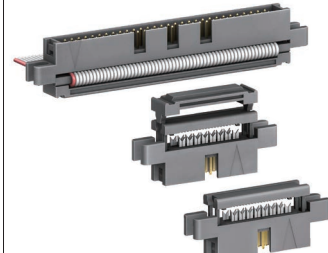
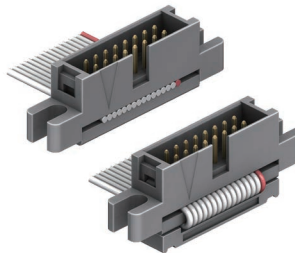
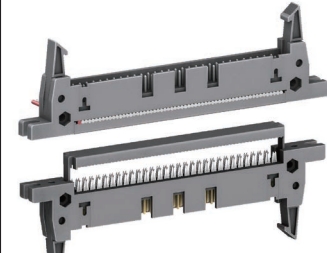

4403-XX-LP-XX		4404A-XX	
			
RoHS Compliant	Mating:PC. Board.	RoHS Compliant	Mating:PC. Board.

4403-XX-LP-XX
 Blank: Standard
 Insulator Height
 45=4.5mm,60=6.0mm
 Blank: Standard
 LP: Low Profile
 No. of Contacts

4403-XX-LP-XX Series:
 2.54mm Plug IDC Transition
 Connector Dip Type.
 Mating Part:
 4403-XX-LP-XX Mating
 PC. Board.

4404A-XX
 No. of Contacts
 Row to Row Space
 A:7.62mm
 B:15.24mm

4404A(B)-XX Series:
 2.54mm Plug IDC Connector
 Dip Type(Space:A ,B Type).
 Mating Part:
 4404A(B)-XX Mating
 PC. Board.

4406-XXSR-01		4407-XX-01-SE	
			
RoHS Compliant	Mating:4401 Series.	RoHS Compliant	Mating:4401A Series.

4406-XXSR-01
 Blank: With Mounting Ear
 01: Without Mounting Ear
 Blank: Without Strain Relief
 SR: With Strain Relief
 No. of Contacts

4406-XXSR-01 Series:
 2.54mm Box Header IDC Type
 Connector.
 Mating Part:
 4406-XXSR-01 Mating
 4401 Series.

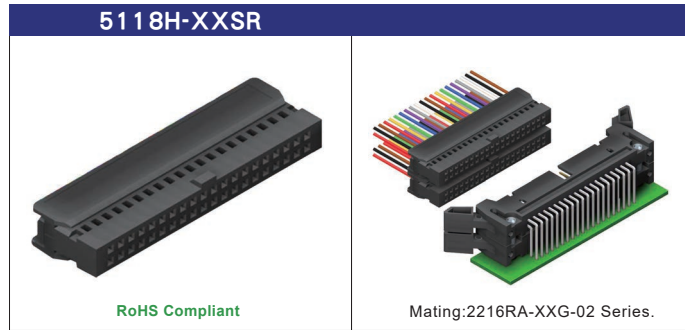
4407-XX-01-SE
 Blank: Long Ejector
 Short Ejector
 Blank: With Mounting Ear
 01: Without Mounting Ear
 No. of Contacts

4407-XX-01-SE Series:
 2.54mm IDC Header With
 Ejector.
 Mating Part:
 4407-XX-01-SE Mating
 4401 Series.

IDC Series

2.54mm

UNIT : mm




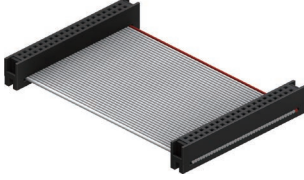
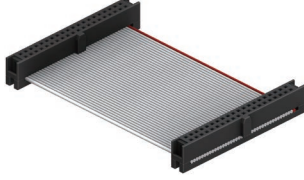
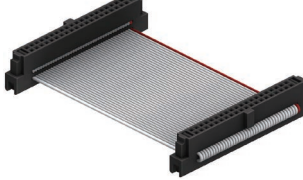
5118H-XXSR
└─ With SR
└─ No. of Contacts

5118H-XXSR Series:
2.54mm IDC Socket
Mating Part:
5118H-XXSR Mating
2216RA(RB)-XXG-02.

IDC Flat Cable Assembly

1.27 / 2.00 / 2.54mm

UNIT : mm

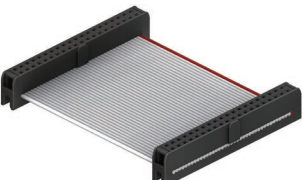

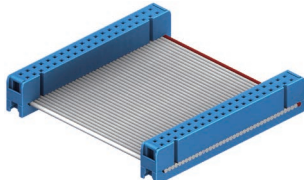
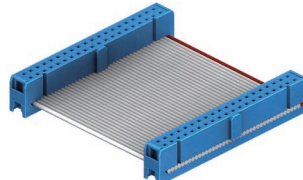
4411H-XXT_X2	4412-XX_X2	4412-XX-CK_X2	4412-XXSR-CK_X2
			
RoHS Compliant	RoHS Compliant	RoHS Compliant	RoHS Compliant

1.27mm IDC Cable Assembly.

1.27mm IDC Cable Assembly.

1.27mm IDC Cable Assembly.

1.27mm IDC Cable Assembly.

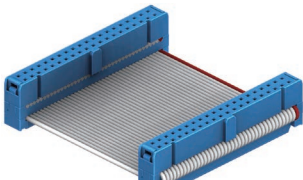
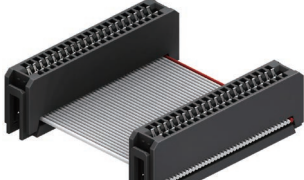
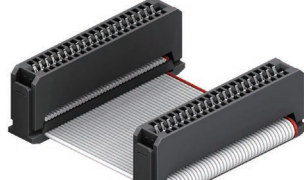

4400-XX-CK_X2	4400-XXSR-CK_X2	4401-XX-BU-01_X2	4401-XX-BU_X2
			
RoHS Compliant	RoHS Compliant	RoHS Compliant	RoHS Compliant

2.00mm IDC Cable Assembly.

2.00mm IDC Cable Assembly.

2.54mm IDC Cable Assembly.

2.54mm IDC Cable Assembly.

4401-XXSR-BU_X2	4402-XX_X2	4402-XXSR_X2	4409-XX_X2
			
RoHS Compliant	RoHS Compliant	RoHS Compliant	RoHS Compliant

2.54mm IDC Cable Assembly.

2.54mm IDC Cable Assembly.

2.54mm IDC Cable Assembly.

2.54mm IDC Cable Assembly.

4410-XX-BK-01_X2	4410-XX-BK_X2	4410-XXSR-BK_X2
		
RoHS Compliant	RoHS Compliant	RoHS Compliant

2.54mm Ultra ATA IDC Cable Assembly. 2.54mm Ultra ATA IDC Cable Assembly. 2.54mm Ultra ATA IDC Cable Assembly.

Wire To Board Series

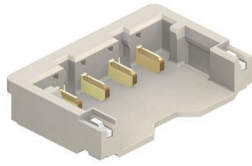
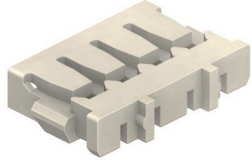
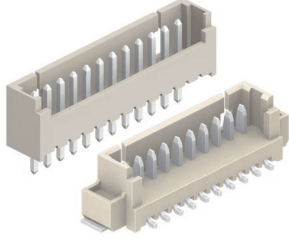
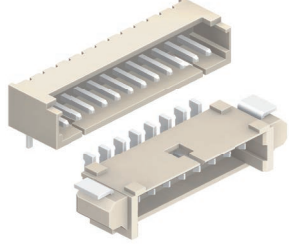
0.80 / 1.00mm

UNIT : mm

1700S-XX-SM	1700R-XX-SM	1700H-XX	1600S-XX-SM
			
RoHS Compliant	RoHS Compliant	RoHS Compliant	RoHS Compliant
0.80mm Wafer Single Row Straight SMD Type.	0.80mm Wafer Single Row Right Angle SMD Type.	0.80mm Housing Single Row Connector.	1.00mm Wafer Single Row Straight SMD Type.
<p>1700S-XX-SM</p> <ul style="list-style-type: none"> SMD Type No. of Contacts Straight Type 	<p>1700R-XX-SM</p> <ul style="list-style-type: none"> SMD Type No. of Contacts Right Angle Type 	<p>1700H-XX</p> <ul style="list-style-type: none"> No. of Contacts Housing 	<p>1600S-XX-SM</p> <ul style="list-style-type: none"> SMD Type No. of Contacts Straight Type
1600R-XX-SM	1600H-XX	1600S-XX-SM-LK	1600R-XX-SM-LK
			
RoHS Compliant	RoHS Compliant	RoHS Compliant	RoHS Compliant
1.00mm Wafer Single Row R/A SMD Type.	1.00mm Housing Single Row Connector.	1.00mm Wafer Single Row Straight SMD With Lock Type Connector.	1.00mm Wafer Single Row Right Angle With Lock Type Connector.
<p>1600R-XX-SM</p> <ul style="list-style-type: none"> SMD Type No. of Contacts Right Angle Type 	<p>1600H-XX</p> <ul style="list-style-type: none"> No. of Contacts Housing 	<p>1600S-XX-SM-LK</p> <ul style="list-style-type: none"> With Lock SMD Type No. of Contacts Straight Type 	<p>1600R-XX-SM-LK</p> <ul style="list-style-type: none"> With Lock SMD Type No. of Contacts Right Angle Type
1600H-XX-LK	1600SMB-XX-01	1600RMB-XX	1600HB-XX
			
RoHS Compliant	RoHS Compliant	RoHS Compliant	RoHS Compliant
1.00mm Housing Single Row With Lock Type Connector.	1.00mm Wafer Double Rows Straight SMD Type.	1.00mm Wafer Double Rows R/A SMD Type.	1.00mm Housing Double Rows Connector.
<p>1600H-XX-LK</p> <ul style="list-style-type: none"> With Lock No. of Contacts Housing 	<p>1600SMB-XX-01</p> <ul style="list-style-type: none"> Blank: With Peg 01: Without Peg No. of Contacts Straight SMD Type 	<p>1600RMB-XX</p> <ul style="list-style-type: none"> No. of Contacts Right Angle SMD Type 	<p>1600HB-XX</p> <ul style="list-style-type: none"> No. of Contacts Double Rows Housing

1.20 / 1.25mm

UNIT : mm

1210R-XXG-SM-XX	1210H-XX	1251SM-XX	1251RM-XX
			
RoHS Compliant	RoHS Compliant	RoHS Compliant	RoHS Compliant

1.20mm Wafer Single Row R/A SMD Type.

1.20mm Housing Single Row Connector.

1.25mm Wafer Single Row Straight & SMD Type.

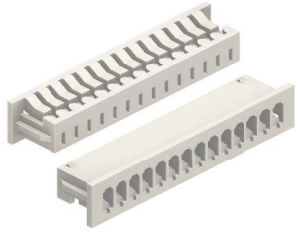
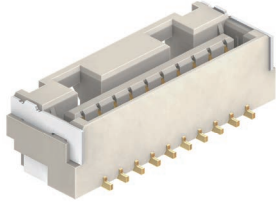
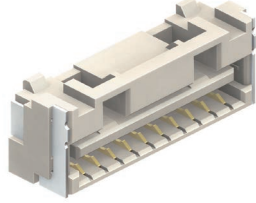
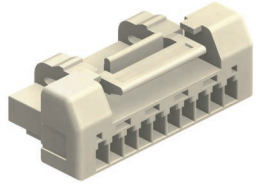
1.25mm Wafer Single Row Right Angle SMD Type.

1210R-XXG-SM-XX
 IV: Ivory
 BK: Black
 SM: SMD Type
 No. of Contacts
 Right Angle Type

1210H-XX
 No. of Contacts
 Housing

1251SM-XX
 No. of Contacts
 Straight Type
 1251S-XX-SM1
 SMD Type
 No. of Contacts
 Straight Type

1251RM-XX
 No. of Contacts
 Right Angle Type
 1251R-XX-SM1
 SMD Type
 No. of Contacts
 Right Angle Type

1250HM-XX	1251S-XX-SM2-LK	1251R-XX-SM2-LK	1250HM2-XX-LK
			
RoHS Compliant	RoHS Compliant	RoHS Compliant	RoHS Compliant

1.25mm Housing Single Row Connector.

1.25mm Wafer Single Row Straight Type.

1.25mm Wafer Single Row R/A Type.

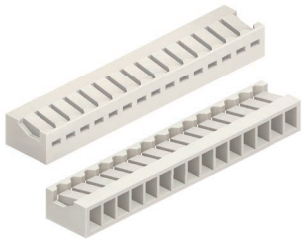
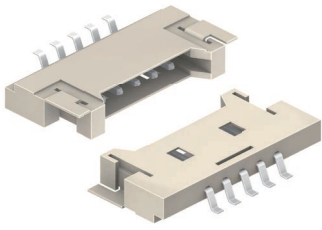
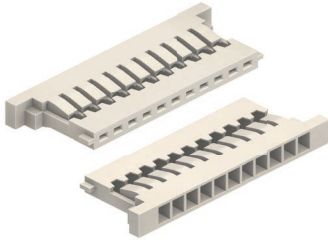
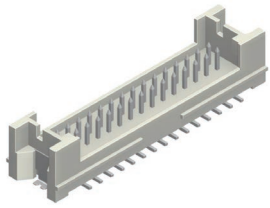
1.25mm Housing Single Row Connector.

1250HM-XX
 No. of Contacts
 Single Row Housing

1251S-XX-SM2-LK
 Lock
 SM2: SMD Type
 No. of Contacts
 Straight Type

1251R-XX-SM2-LK
 Lock
 SM2: SMD Type
 No. of Contacts
 Right Angle Type

1250HM2-XX-LK
 Lock
 No. of Contacts
 Housing

1252H-XX	1253R-XX-SM	1253H-XX	1254SMB-XX
			
RoHS Compliant	RoHS Compliant	RoHS Compliant	RoHS Compliant

1.25mm Single Row Housing Board-In Type.

1.25mm Wafer Single Row Right Angle SMD Type.

1.25mm Housing Single Row Connector.

1.25mm Wafer Double Rows Straight SMD Type.

1252H-XX
 No. of Contacts
 Single Row
 Housing

1253R-XX-SM
 SMD Type
 No. of Contacts
 Right Angle Type

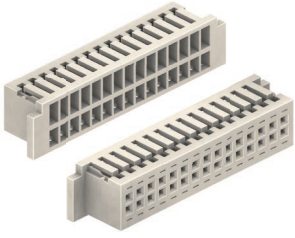
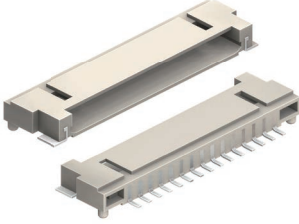
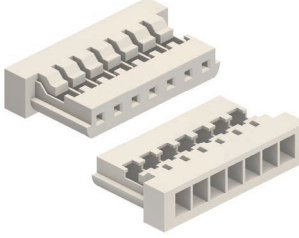
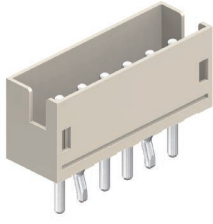
1253H-XX
 No. of Contacts
 Single Row Housing

1254SMB-XX
 No. of Contacts
 Double Rows
 SMD Type

Wire To Board Series

1.25 / 1.50 / 2.00mm

UNIT : mm

1254HB-XX	1255R-XX-SM	1255H-XX	1500S-XX
			
RoHS Compliant	RoHS Compliant	RoHS Compliant	RoHS Compliant

1.25mm Housing Double Rows Connector.

1.25mm Wafer Single Row Right Angle SMD Type.

1.25mm Housing Single Row Connector.

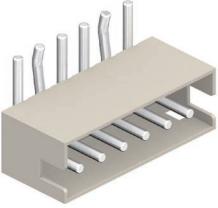
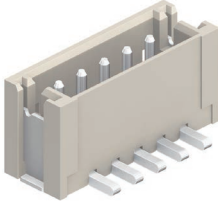
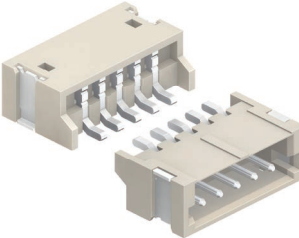
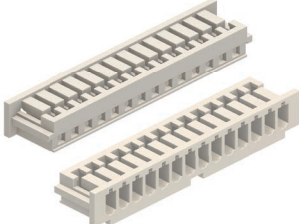
1.50mm Wafer Single Row Straight Dip Type.

1254HB-XX
 No. of Contacts
 Double Rows
 Housing

1255R-XX-SM
 SMD Type
 No. of Contacts
 Right Angle Type

1255H-XX
 No. of Contacts
 Housing

1500S-XX
 No. of Contacts
 Straight Type

1500R-XX	1500S-XX-SM	1500R-XX-SM	1500H-XX
			
RoHS Compliant	RoHS Compliant	RoHS Compliant	RoHS Compliant

1.50mm Wafer Single Row Right Angle Dip Type.

1.50mm Wafer Single Row Straight SMD Type.

1.50mm Wafer Single Row Right Angle SMD Type.

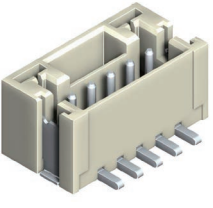
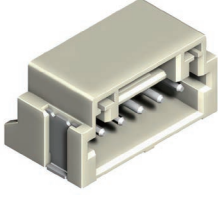

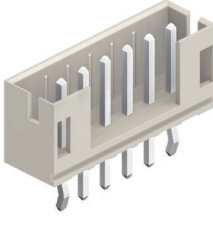
1.50mm Housing Single Row Connector.

1500R-XX
 No. of Contacts
 Right Angle Type

1500S-XX-SM
 SMD Type
 No. of Contacts
 Straight Type

1500R-XX-SM
 SMD Type
 No. of Contacts
 Right Angle Type

1500H-XX
 No. of Contacts
 Single Row
 Housing

1500S-XX-LK-SM	1500R-XX-LK-SM	1500H-XX-LK	2417SJ-XX
			
RoHS Compliant	RoHS Compliant	RoHS Compliant	RoHS Compliant

1.50mm Wafer Single Row Straight With Lock Type.

1.50mm Wafer Single Row Right Angle With Lock Type Connector.

1.50mm Housing Single Row With Lock Type Connector.

2.00mm Wafer Single Row Straight Dip Type.

1500S-XX-LK-SM
 SMD Type
 With Lock
 No. of Contacts
 Straight Type

1500R-XX-LK-SM
 SMD Type
 With Lock
 No. of Contacts
 Right Angle Type

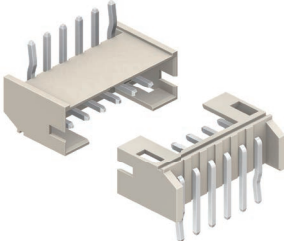
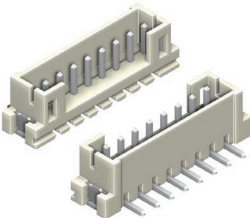
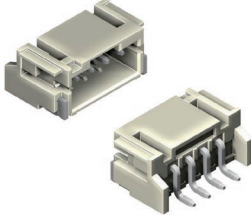
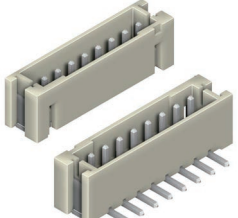
1500H-XX-LK
 With Lock
 No. of Contacts
 Single Row
 Housing

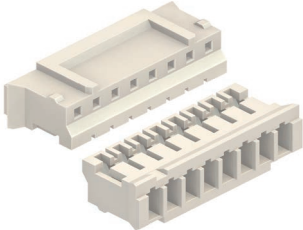
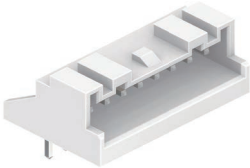
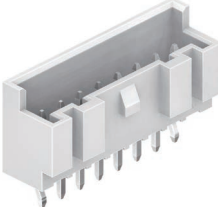
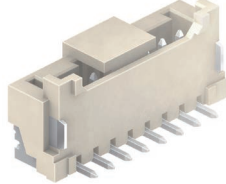
2417SJ-XX
 No. of Contacts
 Straight Type

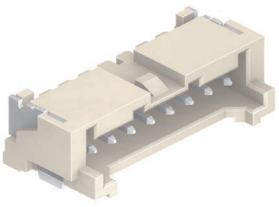
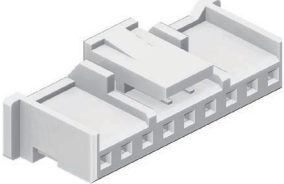
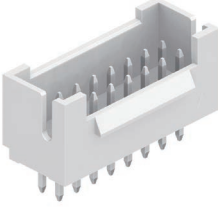
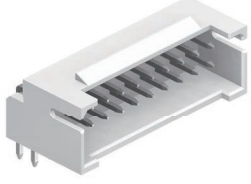
Wire To Board Series

2.00mm

UNIT : mm

2417RJ-XX	2417SJ-XX-SM1-02	2417RJ-XX-SM2-02	2417SJ-XX-SM2
 RoHS Compliant	 RoHS Compliant	 RoHS Compliant	 RoHS Compliant
2.00mm Wafer Single Row Right Angle Dip Type.	2.00mm Wafer Single Row Straight SMD Type.	2.00mm Wafer Single Row Right Angle SMD Type.	2.00mm Wafer Single Row Straight SMD Type.
2417RJ-XX No. of Contacts Right Angle Type	2417SJ-XX-SM1-02 Without Post SMD Type No. of Contacts Straight Type	2417RJ-XX-SM2-02 Without Post SMD Type No. of Contacts Right Angle Type	2417SJ-XX-SM2 SMD Type No. of Contacts Straight Type

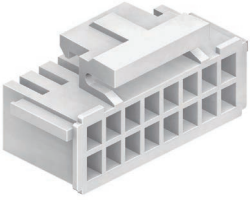
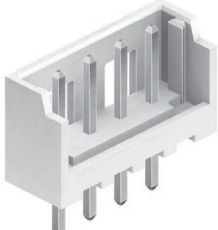
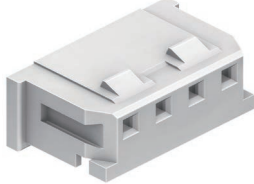
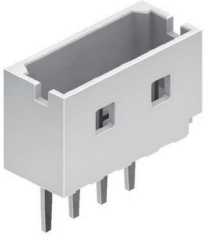
2418HJ-XX	2417RZ-XXT-PG	2417SZ-XXT-XX	2417SZ-XXT-SM-CX
 RoHS Compliant	 RoHS Compliant	 RoHS Compliant	 RoHS Compliant
2.00mm Housing Single Row Connector.	2.00mm Wafer Single Row R/A With Peg Type.	2.00mm Wafer Single Row Straight Type.	2.00mm Wafer Single Row Straight SMD Type.
2418HJ-XX No. of Contacts Single Row Housing	2417RZ-XXT-PG With Peg No. of Contacts Right Angle Type	2417SZ-XXT-XX Blank W/O Peg PG: With Peg No. of Contacts Straight Type	2417SZ-XXT-SM-CX With Cap SM: SMD Type No. of Contacts Straight Type

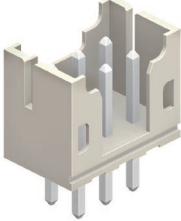
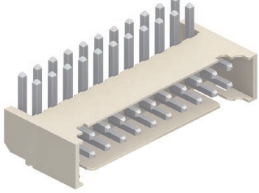
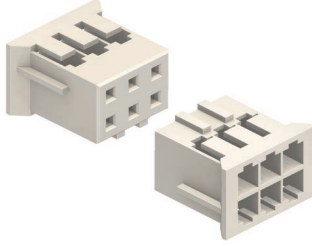
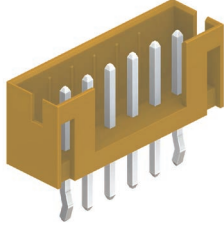
2417RZ-XXT-SM	2418HZ-XX	2417SZ2-XX	2417RZ2-XX
 RoHS Compliant	 RoHS Compliant	 RoHS Compliant	 RoHS Compliant
2.00mm Wafer Single Row R/A SMD Type.	2.00mm Housing Single Row Connector.	2.00mm Wafer Double Rows Straight Type.	2.00mm Wafer Double Rows Right Angle Type.
2417RZ-XXT-SM SM: SMD Type No. of Contacts Right Angle Type	2418HZ-XX No. of Contacts Housing	2417SZ2-XX No. of Contacts Straight Type	2417RZ2-XX No. of Contacts Right Angle Type

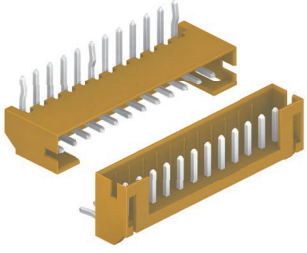
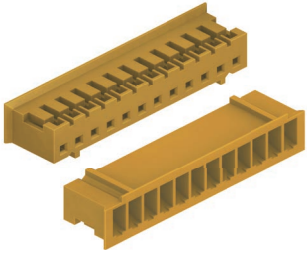
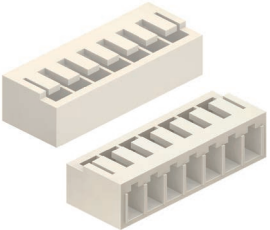

Wire To Board Series

2.00mm

UNIT : mm

2418HZ2-XX	2417SE-XX	2418HE-XX	2417SM1-XX
			
RoHS Compliant	RoHS Compliant	RoHS Compliant	RoHS Compliant
2.00mm Housing Double Rows Connector.	2.00mm Wafer Single Row Straight Type.	2.00mm Housing Single Row Connector.	2.00mm Wafer Single Row Straight Type.
2418HZ2-XX └─ No. of Contacts └─ Housing	2417SE-XX └─ No. of Contacts └─ Straight Type	2418HE-XX └─ No. of Contacts └─ Housing	2417SM1-XX └─ No. of Contacts └─ Straight Type

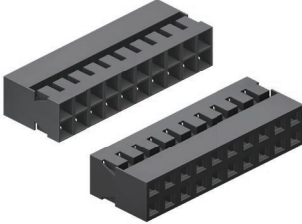
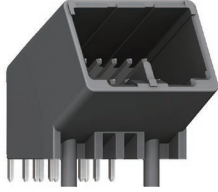

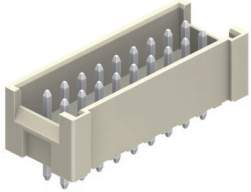
2417SJ2-XX	2417RJ2-XX	2418HJ2-XX	2417SB-XX
			
RoHS Compliant	RoHS Compliant	RoHS Compliant	RoHS Compliant
2.00mm Wafer Double Rows Straight Dip Type.	2.00mm Wafer Double Rows Right Angle Dip Type.	2.00mm Housing Double Rows Connector.	2.00mm Wafer Single Row Straight Dip Type.
2417SJ2-XX └─ No. of Contacts └─ Double Rows └─ Straight Type	2417RJ2-XX └─ No. of Contacts └─ Double Rows └─ Right Angle Type	2418HJ2-XX └─ No. of Contacts └─ Double Rows └─ Housing	2417SB-XX └─ No. of Contacts └─ Straight Type

2417RB-XX	2418HB-XX	1310H-XX	2026A-XX
			
RoHS Compliant	RoHS Compliant	RoHS Compliant	RoHS Compliant
2.00mm Wafer Single Row Right Angle Dip Type.	2.00mm Housing Single Row Connector.	2.00mm Housing Single Row Straight & R/A Board-In Type Connector.	2.00mm Housing Single Row Connector.
2417RB-XX └─ No. of Contacts └─ Right Angle Type	2418HB-XX └─ No. of Contacts └─ Housing	1310H-XX └─ No. of Contacts └─ H: Straight Type └─ HR: Right Angle Type	2026A-XX └─ No. of Contacts └─ Single Row Housing

Wire To Board Series

2.00 / 2.20 / 2.50mm

UNIT : mm

2026B-XX	9668-12T-BK-TB	2317RC-10T-BK-TB	2317SHZ-XX
			
RoHS Compliant	RoHS Compliant	RoHS Compliant	RoHS Compliant

2.00mm Housing Double Rows Connector.

2.20mm Pin Header Double Rows 30 Degree Type.

2.50mm Wafer Single Row Right Angle Type.

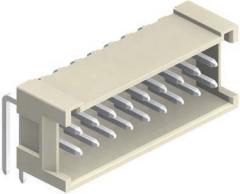
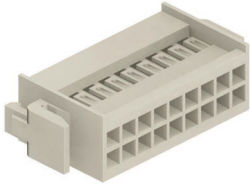
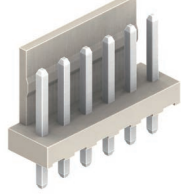

2.50mm Wafer Double Rows Straight Type.

2026B-XX
 No. of Contacts
 Double Rows Housing

9668-12T-BK-TB
 Tube
 Black
 No. of Contacts

2317RC-10T-BK-TB
 Tube
 Black
 No. of Contacts
 Right Angle Type

2317SHZ-XX
 No. of Contacts
 Straight Type

2317RHZ-XX	2318HHZ-XX	2317SB-XX	2317RB-XX
			
RoHS Compliant	RoHS Compliant	RoHS Compliant	RoHS Compliant

2.50mm Wafer Double Rows Right Angle Type.

2.50mm Housing Double Rows Connector.

2.50mm Wafer Single Row Straight Dip Type.


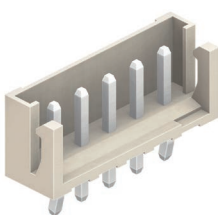
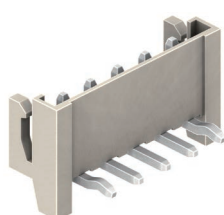
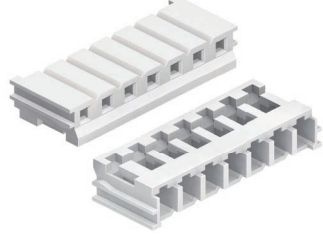
2.50mm Wafer Single Row Right Angle Dip Type.

2317RHZ-XX
 No. of Contacts
 Right Angle Type

2318HHZ-XX
 No. of Contacts
 Housing

2317SB-XX
 No. of Contacts
 Straight Type

2317RB-XX
 No. of Contacts
 Right Angle Type

2318HB-XX	2317SEH-XX	2317REH-XX	2318HEH-XX
			
RoHS Compliant	RoHS Compliant	RoHS Compliant	RoHS Compliant

2.50mm Housing Single Row Connector.

2.50mm Wafer Single Row Straight Dip Type.

2.50mm Wafer Single Row Right Angle Dip Type.

2.50mm Housing Single Row Connector.

2318HB-XX
 No. of Contacts
 Housing

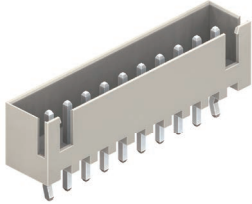
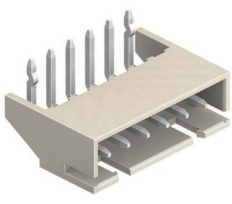
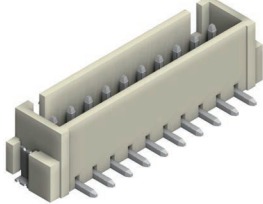
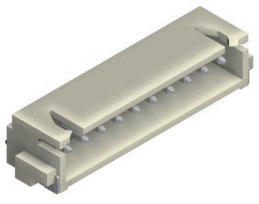
2317SEH-XX
 No. of Contacts
 Straight Type

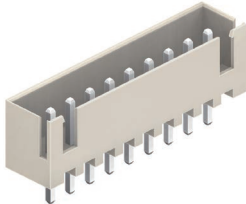
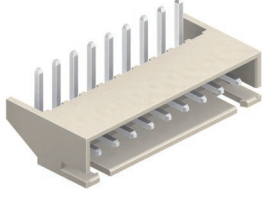
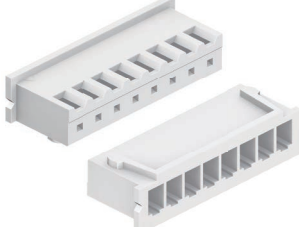
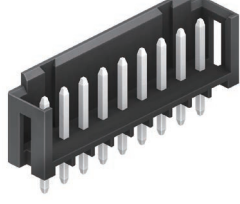
2317REH-XX
 No. of Contacts
 Right Angle Type

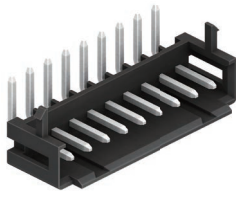

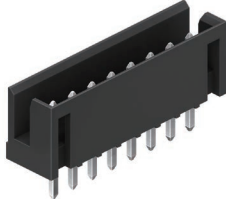
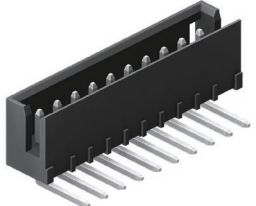
2318HEH-XX
 No. of Contacts
 Housing

2.50mm

UNIT : mm

2317SJ-XX	2317RJ-XX	2317SJ-XX-SMA	2317RJ-XX-SMA
			
RoHS Compliant	RoHS Compliant	RoHS Compliant	RoHS Compliant
2.50mm Wafer Single Row Straight Dip Type.	2.50mm Wafer Single Row Right Angle Dip Type.	2.50mm Wafer Single Row Straight SMD Type.	2.50mm Wafer Single Row Right Angle SMD Type.
2317SJ-XX No. of Contacts Straight Type	2317RJ-XX No. of Contacts Right Angle Type	2317SJ-XX-SMA SMD Type No. of Contacts Straight Type	2317RJ-XX-SMA SMD Type No. of Contacts Right Angle Type


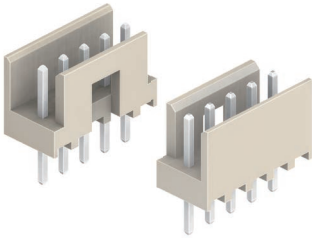
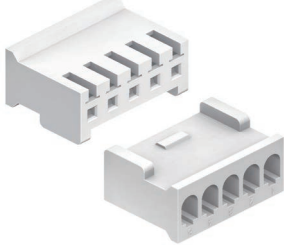
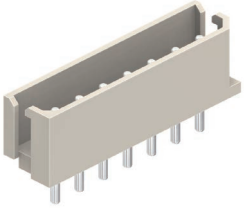
2317SJ-XX-K0	2317RJ-XX-K0	2318HJ-XX	2317SD-XX
			
RoHS Compliant	RoHS Compliant	RoHS Compliant	RoHS Compliant
2.50mm Wafer Single Row Straight Dip W/O Kink Type.	2.50mm Wafer Single Row Right Angle Dip W/O Kink Type.	2.50mm Housing Single Row Connector.	2.50mm Wafer Single Row Straight Dip Type.
2317SJ-XX-K0 W/O Kink No. of Contacts Straight Type	2317RJ-XX-K0 W/O Kink No. of Contacts Right Angle Type	2318HJ-XX No. of Contacts Housing	2317SD-XX No. of Contacts Straight Type

2317RD-XX	2318HD-XX	2317SF-XX	2317RF-XX
			
RoHS Compliant	RoHS Compliant	RoHS Compliant	RoHS Compliant
2.50mm Wafer Single Row Right Angle Dip Type.	2.50mm Housing Single Row Connector.	2.50mm Wafer Single Row Straight Dip Type.	2.50mm Wafer Single Row Right Angle Dip Type.
2317RD-XX No. of Contacts Right Angle Type	2318HD-XX No. of Contacts Housing	2317SF-XX No. of Contacts Straight Type	2317RF-XX No. of Contacts Right Angle Type

Wire To Board Series

2.50mm

UNIT : mm

2318HF-XX	2317SF1-XX-WH	2318HF1-XX-WH	2317SM-XX
			
RoHS Compliant	RoHS Compliant	RoHS Compliant	RoHS Compliant

2.50mm Housing Single Row Connector.

2318HF-XX
 No. of Contacts
 Housing

2.50mm Wafer Single Row Straight Dip Type.

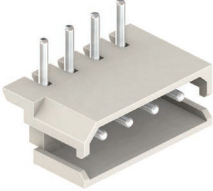
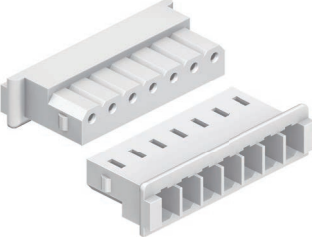
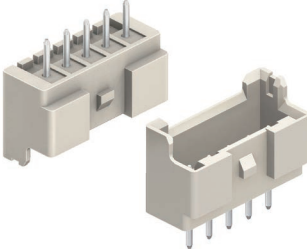
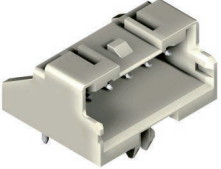
2317SF1-XX-WH
 White
 No. of Contacts
 Straight Type

2.50mm Housing Single Row Connector.

2318HF1-XX-WH
 White
 No. of Contacts
 Housing

2.50mm Wafer Single Row Straight Dip Type.

2317SM-XX
 No. of Contacts
 Straight Type

2317RM-XX	2318HM-XX	2317SZ-XX	2317RZ-XX
			
RoHS Compliant	RoHS Compliant	RoHS Compliant	RoHS Compliant

2.50mm Wafer Single Row Right Angle Dip Type.

2317RM-XX
 No. of Contacts
 Right Angle Type

2.50mm Housing Single Row Connector.


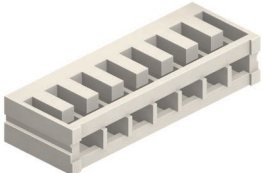
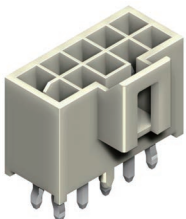
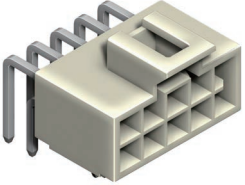
2318HM-XX
 No. of Contacts
 Housing

2.50mm Wafer Single Row Straight Dip Type.

2317SZ-XX
 No. of Contacts
 Straight Type

2.50mm Wafer Single Row Right Angle Dip Type.

2317RZ-XX
 No. of Contacts
 Right Angle Type

2318HZ-XX	1311H-XX	5551S-XXT-XX	5551R-XXT-XX
			
RoHS Compliant	RoHS Compliant	RoHS Compliant	RoHS Compliant

2.50mm Housing Single Row Connector.

2318HZ-XX
 No. of Contacts
 Housing

2.50mm Housing Single Row Straight & R/A Board-In Type Connector.

1311H-XX
 No. of Contacts
 H: Straight Type
 HR: Right Angle Type

2.50mm Wafer Double Rows Straight Dip Type.

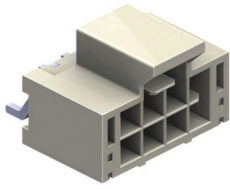
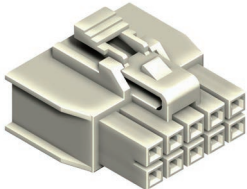
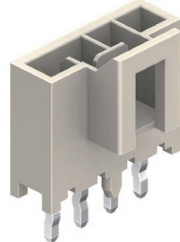
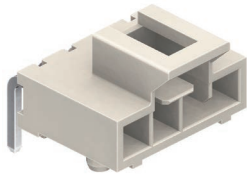
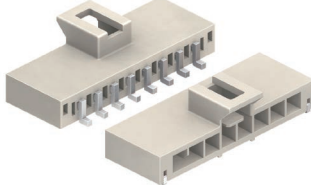
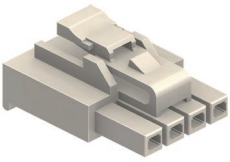
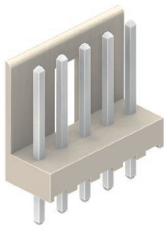
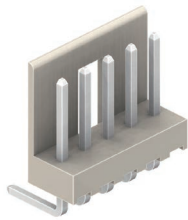
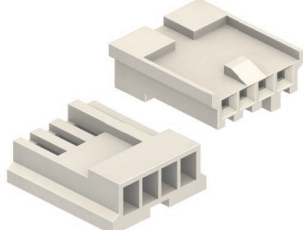
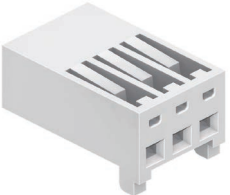

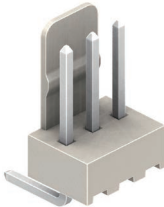
5551S-XXT-XX
 WH:White
 BK:Black
 No. of Contacts
 Straight Type

2.50mm Wafer Double Rows Right Angle Dip Type.

5551R-XXT-XX
 WH:White
 BK:Black
 No. of Contacts
 Right Angle Type

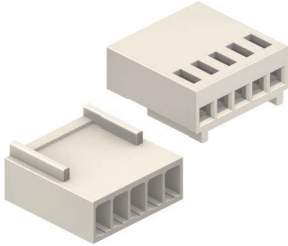
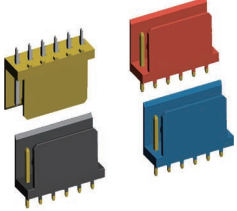
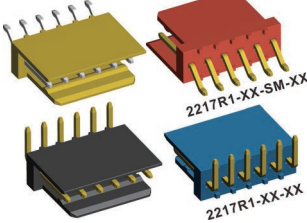
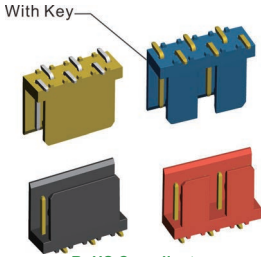

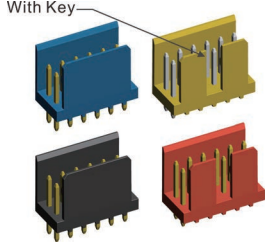
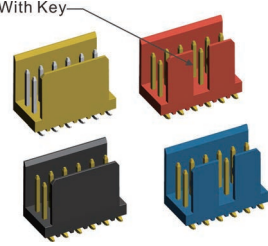
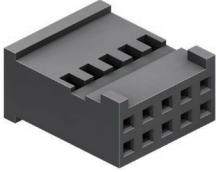


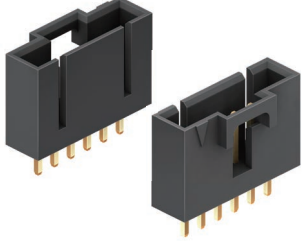
2.50 / 2.54mm

UNIT : mm

5551R-XXT-SM-XX	5550-XX-XX	5551SA-XXT-XX	5551RA-XXT-XX
 <p style="text-align: center; color: green;">RoHS Compliant</p>	 <p style="text-align: center; color: green;">RoHS Compliant</p>	 <p style="text-align: center; color: green;">RoHS Compliant</p>	 <p style="text-align: center; color: green;">RoHS Compliant</p>
<p>2.50mm Wafer Double Rows Right Angle Type.</p> <p>5551R-XXT-SM-XX WH: White BK: Black SM: SMD Type No. of Contacts R/A Type</p>	<p>2.50mm Housing Double Rows Connector.</p> <p>5550-XX-XX WH: White BK: Black No. of Contacts</p>	<p>2.50mm Wafer Single Row Straight Dip Type.</p> <p>5551SA-XXT-XX WH: White BK: Black No. of Contacts Single Row Straight Type</p>	<p>2.50mm Wafer Single Row Right Angle Type.</p> <p>5551RA-XXT-XX WH: White BK: Black No. of Contacts Single Row R/A Type</p>
5551RA-XXT-SM-XX	5550A-XX-XX	8982S-XX-BK	8982R-XX-BK
 <p style="text-align: center; color: green;">RoHS Compliant</p>	 <p style="text-align: center; color: green;">RoHS Compliant</p>	 <p style="text-align: center; color: green;">RoHS Compliant</p>	 <p style="text-align: center; color: green;">RoHS Compliant</p>
<p>2.50mm Wafer Single Row Right Angle Type.</p> <p>5551RA-XXT-SM-XX WH: White BK: Black SM: SMD Type No. of Contacts Single Row R/A Type</p>	<p>2.50mm Housing Single Row.</p> <p>5550A-XX-XX WH: White BK: Black No. of Contacts Single Row</p>	<p>2.50mm Wafer Single Row Straight Dip Type.</p> <p>8982S-XX-BK BK: Black Blank: Standard Type No. of Contacts Straight Type</p>	<p>2.50mm Wafer Single Row Right Angle Dip Type.</p> <p>8982R-XX-BK BK: Black Blank: Standard Type No. of Contacts Right Angle Type</p>
8982H-XX	2218HE-XX	2217S-XX-WH2	2217R-XX-WH2
 <p style="text-align: center; color: green;">RoHS Compliant</p>	 <p style="text-align: center; color: green;">RoHS Compliant</p>	 <p style="text-align: center; color: green;">RoHS Compliant</p>	 <p style="text-align: center; color: green;">RoHS Compliant</p>
<p>2.50mm Housing Single Row Connector.</p> <p>8982H-XX No. of Contacts Housing</p>	<p>2.54mm Housing Single Row Connector.</p> <p>2218HE-XX No. of Contacts Housing</p>	<p>2.54mm Wafer Single Row Straight Dip Type.</p> <p>2217S-XX-WH2 Beige White No. of Contacts Straight Type</p>	<p>2.54mm Wafer Single Row R/A & Reverse R/A Dip Type.</p> <p>2217R-XX-WH2 Beige White No. of Contacts R: Right Angle Type RR: Reverse Right Angle Type</p>

2.54mm

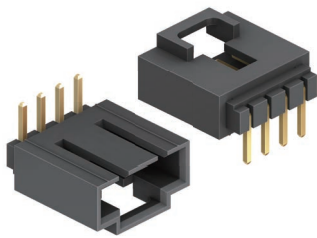
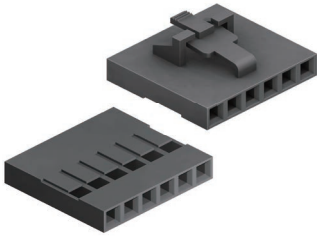
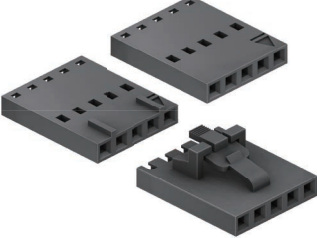

UNIT : mm

2218H-XX-WH2	2217S1-XX-AX-XX	2217R1-XX-SM-XX	2217S1K-XX-SM-BX-XX
 <p>RoHS Compliant</p>	 <p>RoHS Compliant</p>	 <p>RoHS Compliant</p>	 <p>RoHS Compliant</p>
<p>2.54mm Housing Single Row Connector.</p> <p>2218H-XX-WH2</p> <ul style="list-style-type: none"> Beige White No. of Contacts Housing 	<p>2.54mm Wafer Single Row Straight Dip Type.</p> <p>2217S1-XX-AX-XX</p> <ul style="list-style-type: none"> Blank: Black(Standard) Blank: 1 Port ; A2: 2 Port A3: 3 Port; A4: 4 Port No. of Contacts Single Row Straight 	<p>2.54mm Wafer Single Row R/A SMD & Dip Type.</p> <p>2217R1-XX-SM-XX</p> <ul style="list-style-type: none"> Blank: Black(Standard) SMD Type Blank: Dip Type No. of Contacts Single Row R/A Type 	<p>2.54mm Wafer Single Row Straight SMD Type.</p> <p>2217S1K-XX-SM-BX-XX</p> <ul style="list-style-type: none"> Blank:Black (Standard) BX: B1,B2 Type SMD Type No. of Contacts Blank: W/O Key K: With Key
2218H1A-XX	2217S2K-XX-XX	2217R2-XX-XX	2217S2K-XX-SM-XX
 <p>RoHS Compliant</p>	 <p>RoHS Compliant</p>	 <p>RoHS Compliant</p>	 <p>RoHS Compliant</p>
<p>2.54mm Housing Single Row Connector.</p> <p>2218H1A-XX</p> <ul style="list-style-type: none"> No. of Contacts Single Row Housing 	<p>2.54mm Wafer Double Rows Straight Dip Type.</p> <p>2217S2K-XX-XX</p> <ul style="list-style-type: none"> Blank: Black(Standard) No. of Contacts Blank: W/O Key; K: With Key Double Rows Straight 	<p>2.54mm Wafer Double Rows Right Angle Dip Type.</p> <p>2217R2-XX-XX</p> <ul style="list-style-type: none"> Blank: Black(Standard) No. of Contacts Double Rows Right Angle Type 	<p>2.54mm Wafer Double Rows Straight SMD Type.</p> <p>2217S2K-XX-SM-XX</p> <ul style="list-style-type: none"> Blank: Black(Standard) SMD Type Blank: Dip Type No. of Contacts Blank: W/O Key; K: With Key Double Rows Straight Type
2218H2A-XX	2226A-XX	2226B-XX	3750S-XX
 <p>RoHS Compliant</p>	 <p>RoHS Compliant</p>	 <p>RoHS Compliant</p>	 <p>RoHS Compliant</p>
<p>2.54mm Housing Double Rows Connector.</p> <p>2218H2A-XX</p> <ul style="list-style-type: none"> No. of Contacts Double Rows Housing 	<p>2.54mm Housing Single Row Connector.</p> <p>2226A-XX</p> <ul style="list-style-type: none"> No. of Contacts Single Row Housing 	<p>2.54mm Housing Double Rows Connector.</p> <p>2226B-XX</p> <ul style="list-style-type: none"> No. of Contacts Double Row Housing 	<p>2.54mm Pocket Header Single Row Straight Dip Type.</p> <p>3750S-XX</p> <ul style="list-style-type: none"> No. of Contacts Straight Type

Wire To Board Series

2.54 / 3.00mm

UNIT : mm

3750R-XX	3750H-XX	3750X-XX	9682H-03-BK-XX
			
RoHS Compliant	RoHS Compliant	RoHS Compliant	RoHS Compliant

2.54mm Pocket Header Single Row Right Angle Dip Type.

2.54mm Housing Single Row Connector.

2.54mm Housing Single Row Connector With Lock Type.


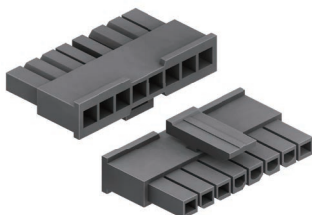
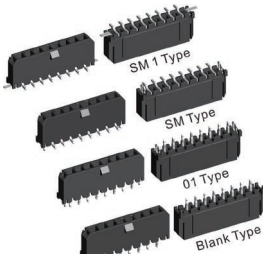

3 Pos. MQS Housing Positive Mate.

3750R-XX
 No. of Contacts
 Right Angle Type

3750H-XX
 No. of Contacts
 Single Row Housing

3750X-XX
 No. of Contacts
 A: Flat Type Housing
 C: W/Guide Housing
 G: W/Lock Housing

9682H-03-BK-XX
 Blank With Lock
 01:W/O Lock
 Black
 No. of Contacts
 Housing

5561A-XX-01	5560A-XX	5561SA-XX-XX	5561RA-XX-XX
			
RoHS Compliant	RoHS Compliant	RoHS Compliant	RoHS Compliant

3.00mm Plug Housing Single Row Connector.

3.00mm Socket Housing Single Row Connector.

3.00mm Wafer Single Row Straight SMD & Dip Type.


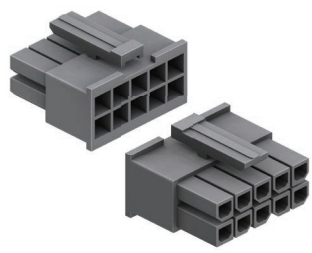
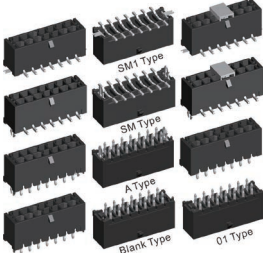
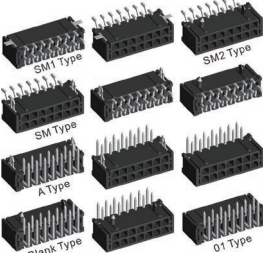
3.00mm Wafer Single Row Right Angle SMD & Dip Type.

5561A-XX-01
 Blank W/Mounting Ear
 01: W/O Mounting Ear
 No. of Contacts
 Plug Housing Single Row

5560A-XX
 No. of Contacts
 Socket Housing Single Row

5561SA-XX-XX
 Blank: With Peg
 01: With Board Lock
 SM: SMD Type
 SM1: SMD Type1
 No. of Contacts
 Single Row Straight Type

5561RA-XX-XX
 Blank: With Peg
 A: With Board Lock
 SM: SMD Type
 SM1: SMD Type1
 SM2: SMD Type2
 No. of Contacts
 Single Row R/A Type

5561-XX	5560-XX	5561S-XX-XX	5561R-XX-XX
			
RoHS Compliant	RoHS Compliant	RoHS Compliant	RoHS Compliant

3.00mm Plug Housing Double Rows Connector.

3.00mm Socket Housing Double Rows Connector.

3.00mm Wafer Double Rows Straight SMD & Dip Type.

3.00mm Wafer Double Rows Right Angle SMD & Dip Type.

5561-XX
 No. of Contacts
 Plug Housing
 Double Rows

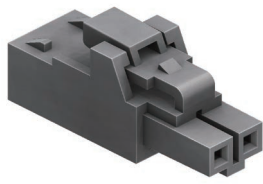
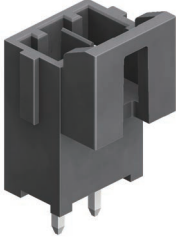
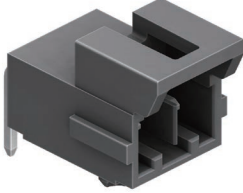
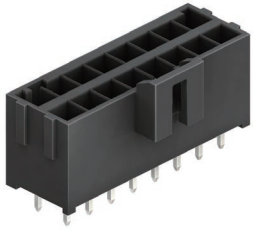
5560-XX
 No. of Contacts
 Socket Housing
 Double Rows

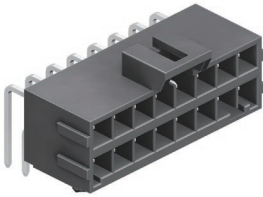
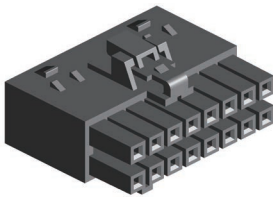
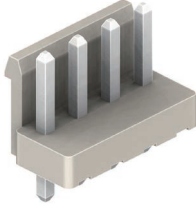
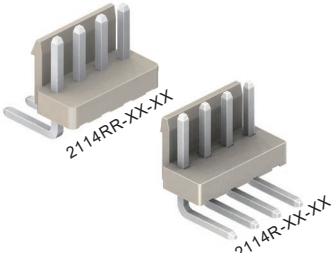
5561S-XX-XX
 Blank: With Peg
 A: With Board Lock
 SM: SMD Type
 SM1: SMD Type1
 No. of Contacts
 Double Rows Straight

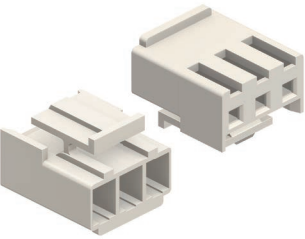
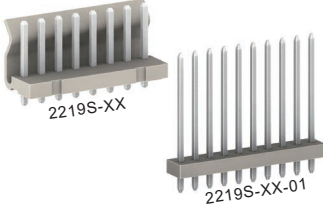
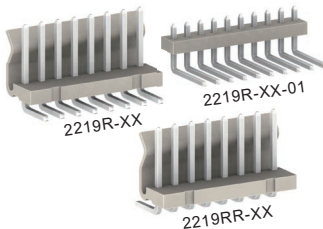
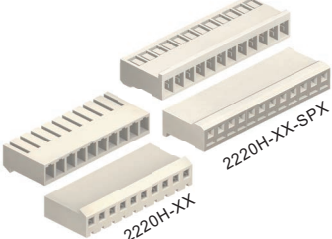
5561R-XX-XX
 Blank: With Peg
 A: With Board Lock
 SM: SMD Type
 SM1: SMD Type1
 SM2: SMD Type2
 No. of Contacts
 Double Rows R/A Type

3.50 / 3.96mm

UNIT : mm

5562A-XX	5563SA-XXMT-XX	5563RA-XXMT-XX	5563S-XXMT-XX
			
RoHS Compliant	RoHS Compliant	RoHS Compliant	RoHS Compliant
3.50mm Housing Single Row Connector.	3.50mm Wafer Single Row Straight Type.	3.50mm Wafer Single Row Right Angle Type.	3.50mm Wafer Double Rows Straight Type.
5562A-XX — No. of Contacts — Single Row	5563SA-XXMT-XX — Blank W/O Peg — PG:With Peg — No. of Contacts — Single Row Straight Type	5563RA-XXMT-XX — Blank W/O Peg — PG:With Peg — No. of Contacts — Single Row R/A Type	5563S-XXMT-XX — Blank W/O Peg — PG:With Peg — No. of Contacts — Straight Type

5563R-XXMT-XX	5562-XX	2114S-XX-XX	2114R-XX-XX
			
RoHS Compliant	RoHS Compliant	RoHS Compliant	RoHS Compliant
3.50mm Wafer Double Rows Right Angle Type.	3.50mm Housing Double Rows Connector.	3.96mm Wafer Straight Type.	3.96mm Wafer Right Angle & Reverse Right Angle Type.
5563R-XXMT-XX — Blank W/O Peg — PG:With Peg — No. of Contacts — Right Angle Type	5562-XX — No. of Contacts	2114S-XX-XX — Blank: Standard Pin Length — No. of Contacts — Straight Type	2114R-XX-XX — Blank: Standard Pin Length — No. of Contacts — R: Right Angle Type — RR: Reverse R/A Type

2114H-XX	2219S-XX-XX	2219R-XX-XX	2220H-XX-XXX
			
RoHS Compliant	RoHS Compliant	RoHS Compliant	RoHS Compliant
3.96mm Housing Single Row Connector.	3.96mm Wafer Straight Type.	3.96mm Wafer R/A & Reverse R/A & SMD Type.	3.96mm Housing Single Row Connector.
2114H-XX — No. of Contacts — Housing	2219S-XX-XX — Blank: With Lock — 01: Without Lock — No. of Contacts — Straight Type	2219R-XX-XX — Blank: With Lock — 01: Without Lock — No. of Contacts — R: Right Angle Type — RR: Reverse R/A Type	2220H-XX-XXX — SPX: SPX Type — Blank: Standard — No. of Contacts — Housing

Wire To Board Series

3.96 / 4.00 / 4.20mm

UNIT : mm

1320H-XX	2400R-XX-TX	2400SM-XX-TX	2400H-XX
RoHS Compliant	RoHS Compliant	RoHS Compliant	RoHS Compliant

3.96mm Housing Single Row Connector Board-In Type.

4.00mm Wafer Single Row R/A SMD & Dip Type.

4.00mm Wafer Single Row R/A SMD & Dip Type.

4.00mm Housing Single Row Connector.

1320H-XX
 No. of Contacts
 Housing

2400R-XX-TX
 T1: Type1; T2: Type2
 T3: Type3(2Ways Only)
 No. of Contacts
 Right Angle Type

2400SM-XX-TX
 T1: Type1; T2: Type2
 T3: Type3(2Ways Only)
 No. of Contacts
 SMD Type

2400H-XX
 No. of Contacts
 Housing

2259A-XX-XX	2257A-XX	2266SA-XX-XX	2269SA-XX-XX-XX
RoHS Compliant	RoHS Compliant	RoHS Compliant	RoHS Compliant

4.20mm Plug Housing Single Row Connector.

4.20mm Socket Housing Single Row Connector.

4.20mm Wafer Single Row Straight Dip Type.

4.20mm Wafer Single Row Straight Dip Type.

2259A-XX-XX
 Blank: With Mounting Ear
 01: Without Mounting Ear
 No. of Contacts
 Plug Housing Single Row

2257A-XX
 No. of Contacts
 Socket Housing
 Single Row

2266SA-XX-XX
 Blank: Without Peg
 PG: With Peg
 No. of Contacts
 Straight Single Row

2269SA-XX-XX-XX
 Blank: With Mounting Ear
 01: Without Mounting Ear
 Blank: W/O Peg
 PG: With Peg
 No. of Contacts
 Straight Single Row

2269RA-XX-XX-XX	2259-XX-XX	2257-XX	2266S-XX-XX
RoHS Compliant	RoHS Compliant	RoHS Compliant	RoHS Compliant

4.20mm Wafer Single Row Right Angle Dip Type.

4.20mm Plug Housing Double Rows Connector.

4.20mm Socket Housing Double Rows Connector.

4.20mm Wafer Double Rows Straight Dip Type.

2269RA-XX-XX-XX
 Blank: With Mounting Ear
 01: Without Mounting Ear
 Blank: W/O Peg
 PG: With Peg
 No. of Contacts
 Right Angle Single Row


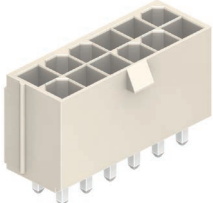
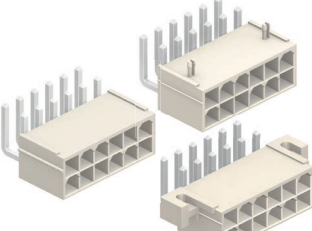
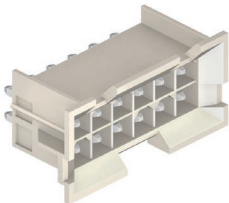
2259-XX-XX
 Blank: With Mounting Ear
 01: Without Mounting Ear
 No. of Contacts
 Plug Housing Double Rows

2257-XX
 No. of Contacts
 Socket Housing
 Double Rows

2266S-XX-XX
 Blank: Without Peg
 PG: With Peg
 No. of Contacts
 Straight Double Rows

4.20 / 5.00 / 5.08mm

UNIT : mm

2266S-XX-M	2269S-XX-XX-XX	2269R-XX-XX-XX	2269S-XX-BMI
			
RoHS Compliant	RoHS Compliant	RoHS Compliant	RoHS Compliant

4.20mm Wafer Double Rows Molding Straight Dip Type.

4.20mm Wafer Double Rows Straight Dip Type.

4.20mm Wafer Double Rows Right Angle Dip Type.

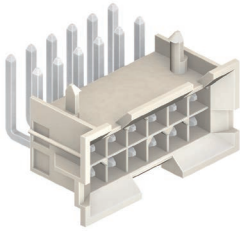
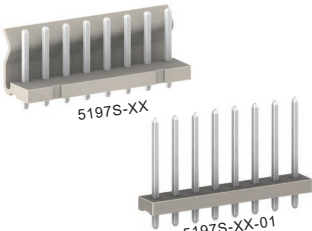
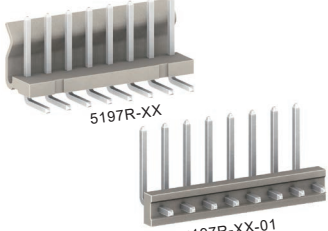
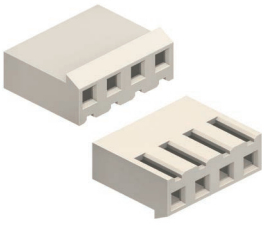
4.20mm Wafer With Blind Mate Double Rows Straight Dip Type.

2266S-XX-M
 Molding Type
 No. of Contacts
 Straight Double Rows

2269S-XX-XX-XX
 Blank: With Mounting Ear
 01: Without Mounting Ear
 Blank: W/O Peg
 PG: With Peg
 No. of Contacts
 Straight Double Rows

2269R-XX-XX-XX
 Blank: With Mounting Ear
 01: Without Mounting Ear
 Blank: W/O Peg
 PG: With Peg
 No. of Contacts
 Right Angle Double Rows

2269S-XX-BMI
 Blind Mate Type
 No. of Contacts
 Straight Double Rows

2269R-XX-BMI	5197S-XX-XX	5197R-XX-XX	5197H-XX
			
RoHS Compliant	RoHS Compliant	RoHS Compliant	RoHS Compliant

4.20mm Wafer With Blind Mate Double Rows Right Angle Dip Type.

5.00mm Wafer Single Row Straight Dip Type.

5.00mm Wafer Single Row Right Angle Dip Type.

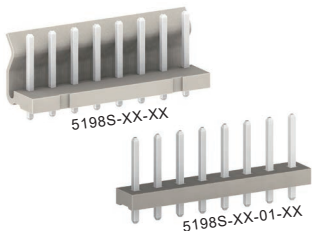
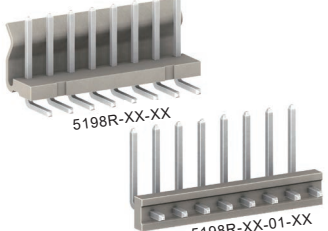
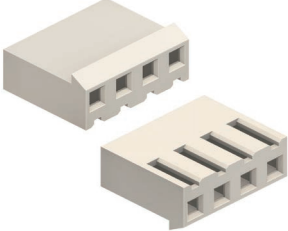

5.00mm Housing Single Row Connector.

2269R-XX-BMI
 Blind Mate Type
 No. of Contacts
 Right Angle Double Rows

5197S-XX-XX
 Blank: With Lock
 01: Without Lock
 No. of Contacts
 Straight Type

5197R-XX-XX
 Blank: With Lock
 01: Without Lock
 No. of Contacts
 Right Angle Type

5197H-XX
 No. of Contacts
 Housing

5198S-XX-XX-XX	5198R-XX-XX-XX	5198H-XX	8981S-04
			
RoHS Compliant	RoHS Compliant	RoHS Compliant	RoHS Compliant

5.08mm Wafer Single Row Straight Dip Type.

5.08mm Wafer Single Row Right Angle Dip Type.

5.08mm Housing Single Row Connector.

5.08mm Power Wafer Single Row Straight Dip Type.

5198S-XX-XX-XX
 Blank: Standard Pin Length
 Blank: With Lock
 01: Without Lock
 No. of Contacts
 Straight Type

5198R-XX-XX-XX
 Blank: Standard Pin Length
 Blank: With Lock
 01: Without Lock
 No. of Contacts
 Right Angle Type

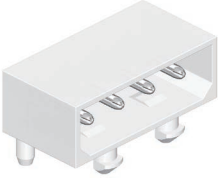
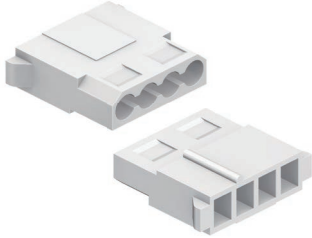

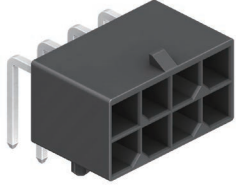
5198H-XX
 No. of Contacts
 Housing

8981S-04
 No. of Contacts
 Straight Type

Wire To Board Series

5.08 / 5.70 / 5.00-7.50 / 8.00-10.00mm

UNIT : mm

8981R-04	8980H-04	5581S-XXMT-PG	5581R-XXMT-PG
			
RoHS Compliant	RoHS Compliant	RoHS Compliant	RoHS Compliant

5.08mm Power Wafer Single Row Right Angle Dip Type.

5.08mm Socket Housing Single Row Connector.

5.70mm Power Wafer Double Rows Straight Dip Type.

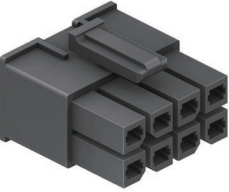
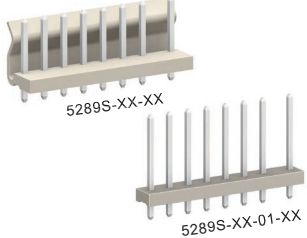
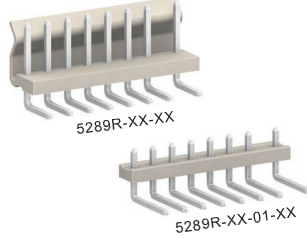
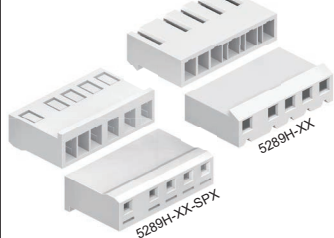
5.70mm Power Wafer Double Rows Right Angle Dip Type.

8981R-04
 No. of Contacts
 Right Angle Type

8980H-04
 No. of Contacts
 Housing

5581S-XXMT-PG
 With Peg
 No. of Contacts
 Straight Type

5581R-XXMT-PG
 With Peg
 No. of Contacts
 Right Angle Type

5580-XX	5289S-XX-XX-XX	5289R-XX-XX-XX	5289H-XX-XXX
			
RoHS Compliant	RoHS Compliant	RoHS Compliant	RoHS Compliant

5.70mm Housing Double Rows Connector.

5.00/7.50mm Wafer Single Row Straight Dip Type.

5.00/7.50mm Wafer Single Row R/A Dip Type.


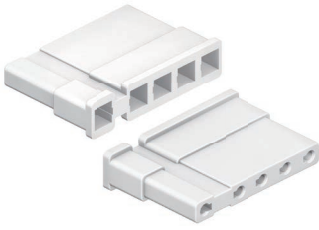
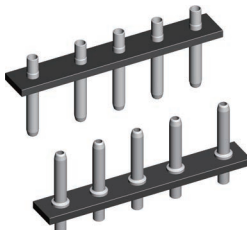

5.00/7.50mm Housing Single Row Connector.

5580-XX
 No. of Contacts
 Housing

5289S-XX-XX-XX
 Blank: Standard Pin Length
 01: Without Lock
 Blank: With Lock
 No. of Contacts
 Straight Type

5289R-XX-XX-XX
 Blank: Standard Pin Length
 01: Without Lock
 Blank: With Lock
 No. of Contacts
 Right Angle Type

5289H-XX-XXX
 SPX: SPX Type
 Blank: Standard
 No. of Contacts
 Housing

2006W-XX	2006H-XX	2007W-XX	2007H-XX
			
RoHS Compliant	RoHS Compliant	RoHS Compliant	RoHS Compliant

5.00/7.50mm Wafer 1.5mm Dia. Single Row Straight Dip Type.

5.00/7.50mm Housing Single Row Connector.

8.00/10.00mm Wafer 2.36mm Dia. Single Row Straight Dip Type.

8.00/10.00mm Housing Single Row Connector.

2006W-XX
 No. of Contacts
 Wafer

2006H-XX
 No. of Contacts
 Housing

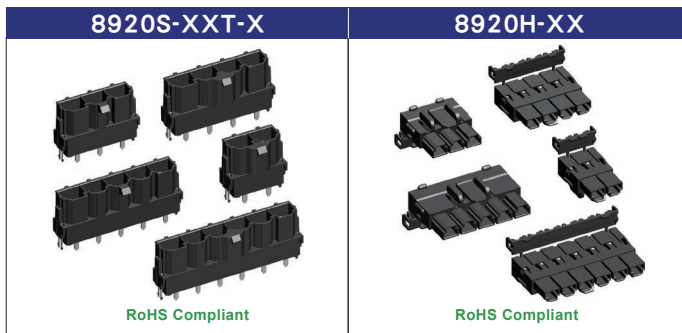
2007W-XX
 No. of Contacts
 Wafer

2007H-XX
 No. of Contacts
 Housing

Wire To Board Series

10.00mm

UNIT : mm



10.00mm Socket Wafer Connector Single Row Straight Dip Type.

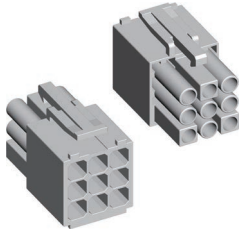
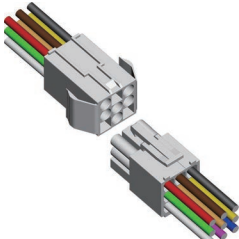
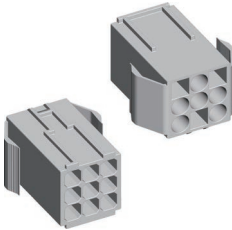
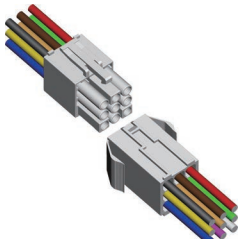

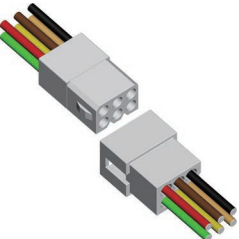

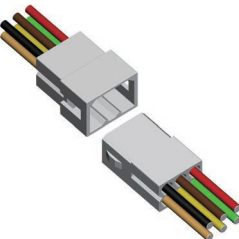
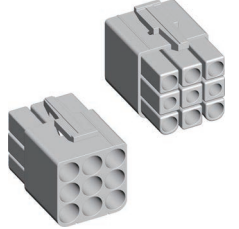
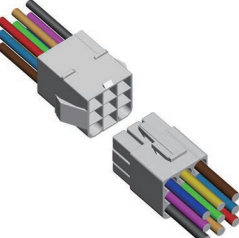

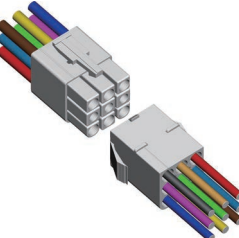
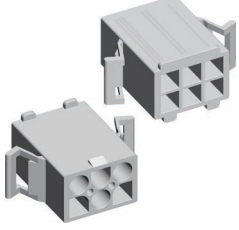
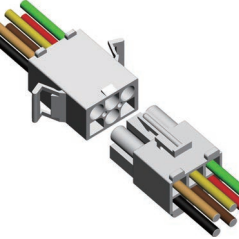
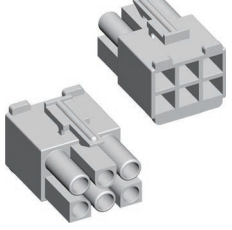
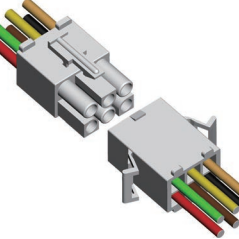
10.00mm Plug Housing Single Row Connector.

8920S-XXT-X
 PCB Thickness
 1: 1.57mm/2: 2.36mm
 3: 3.18mm/4: 6.35mm
 No. of Contacts
 Socket

8920H-XX
 No. of Contacts
 Housing

1.30 / 1.58 / 2.00 / 2.36mm (Dia.)

UNIT : mm

3920-XX		3921-XX	
			
RoHS Compliant	Mating:3921-XX Series.	RoHS Compliant	Mating:3920-XX Series.
3920-XX No. of Contacts Socket Housing	3920-XX Series: 4.50mm Housing 1.3mm Dia. Socket Connector. Mating Part: 3920-XX Mating 3921-XX Series.	3921-XX No. of Contacts Plug Housing	3921-XX Series: 4.50mm Housing 1.3mm Dia. Plug Connector. Mating Part: 3921-XX Mating 3920-XX Series.
5005E-XX		5006E-XX	
			
RoHS Compliant	Mating:5006-XX Series.	RoHS Compliant	Mating:5005-XX Series.
5005E-XX No. of Contacts E: With Mounting Ear Blank: Without Mounting Ear Plug Housing	5005-XX Series: 3.68mm Housing 1.58mm Dia. Plug Connector. Mating Part: 5005-XX Mating 5006-XX Series.	5006E-XX No. of Contacts E: With Mounting Ear Blank: Without Mounting Ear Socket Housing	5006-XX Series: 3.68mm Housing 1.58mm Dia. Socket Connector. Mating Part: 5006-XX Mating 5005-XX Series.
9200P-XX		9200RE-XX	
			
RoHS Compliant	Mating:9200RE-XX Series.	RoHS Compliant	Mating:9200P-XX Series.
9200P-XX No. of Contacts Plug Housing	9200P-XX Series: 2.00mm Dia. Plug Housing Connector. Mating Part: 9200P-XX Mating 9200RE-XX Series.	9200RE-XX No. of Contacts E: With Mounting Ear Blank: Without Mounting Ear Receptacle Housing	9200RE-XX Series: 2.00mm Dia. Socket Housing Connector. Mating Part: 9200RE-XX Mating 9200P-XX Series.
2363P-XXA-01		2363R-XXA	
			
RoHS Compliant	Mating:2363R-XXA Series.	RoHS Compliant	Mating:2363P-XXA Series.
2363P-XXA-01 Blank: With Mounting Ear 01: Without Mounting Ear A: Type A; B: Type B No. of Contacts Plug Housing	2363P-XXA(B) Series: 2.36mm Dia. Plug Housing Connector. Mating Part: 2363P-XXA(B) Mating 2363R-XXA(B) Series.	2363R-XXA A: Type A; B: Type B No. of Contacts Receptacle Housing	2363R-XXA(B) Series: 2.36mm Dia. Socket Housing Connector. Mating Part: 2363R-XXA(B) Mating 2363P-XXA(B) Series.

Wire To Wire Series

2.50 / 5.00 / 5.08 / 6.00 / 6.35 / mm

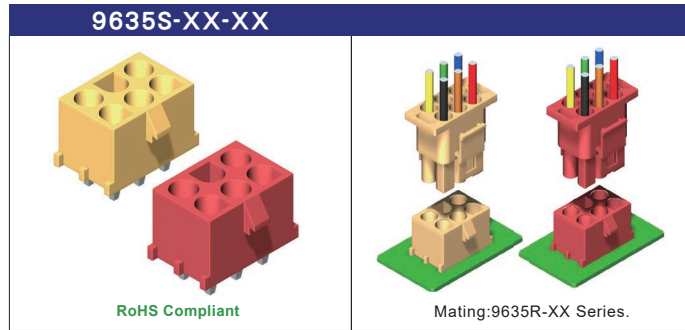
UNIT : mm

2018P-XX		2018R-XX	
			
RoHS Compliant	Mating:2018R-XX Series.	RoHS Compliant	Mating:2018P-XX Series.
2018P-XX No. of Contacts Plug Housing	2018P-XX Series: 2.50mm Plug Housing Connector. Mating Part: 2018P-XX Mating 2018R-XX Series.	2018R-XX No. of Contacts Receptacle Housing	2018R-XX Series: 2.50mm Socket Housing Connector. Mating Part: 2018R-XX Mating 2018P-XX Series.
2650P-XX		2650R-XX	
			
RoHS Compliant	Mating:2650R-XX Series.	RoHS Compliant	Mating:2650P-XX Series.
2650P-XX No. of Contacts Plug Housing	2650P-XX Series: 5.00/6.00mm Plug Housing Connector. Mating Part: 2650P-XX Mating 2650R-XX Series.	2650R-XX No. of Contacts Receptacle Housing	2650R-XX Series: 5.00/6.00mm Socket Housing Connector. Mating Part: 2650R-XX Mating 2650P-XX Series.
8981H-04		8980-04-IDC	
			
RoHS Compliant	Mating:5980-04-IDC Series.	RoHS Compliant	Mating:8981H-04 Series.
8981H-04 No. of Contacts Housing	8981H-04 Series: 5.08mm Power Plug Housing Single Row Connector. Mating Part: 8981H-04 Mating 8980-04-IDC Series.	8980-04-IDC IDC Type No. of Contacts Socket Housing	8980-04-IDC Series: 5.08mm Power Socket Housing Single Row IDC Type Connector. Mating Part: 8980-04-IDC Mating 8981H-04 Series.
9635P-XX-XX		9635R-XX-XX	
			
RoHS Compliant	Mating:9635R-XX Series.	RoHS Compliant	Mating:9635P-XX Series.
9635P-XX-XX YL: Yellow RD: Red No. of Contacts Plug Housing	9635P-XX Series: 6.35mm Plug Housing Connector. Mating Part: 9635P-XX Mating 9635R-XX Series.	9635R-XX-XX YL: Yellow RD: Red No. of Contacts Receptacle Housing	9635R-XX Series: 6.35mm Socket Housing Connector. Mating Part: 9635R-XX Mating 9635P-XX Series.

Wire To Wire Series

6.35 / 10.0mm

UNIT : mm



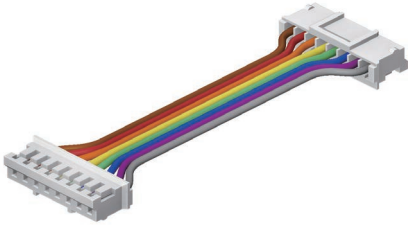
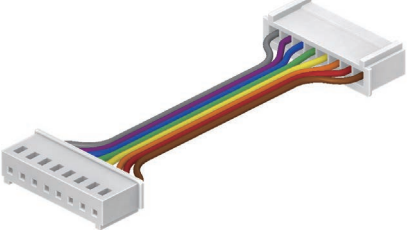
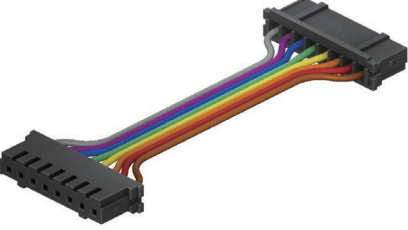
9635S-XX-XX
 YL: Yellow
 RD: Red
 No. of Contacts
 Plug Straight Type

9635S-XX Series:
 6.35mm Plug Wafer
 Straight Dip Type.
 Mating Part:
 9635S-XX Mating
 9635R-XX Series.

Multi-Color Wire Harness

2.00 / 2.50 / 2.54mm

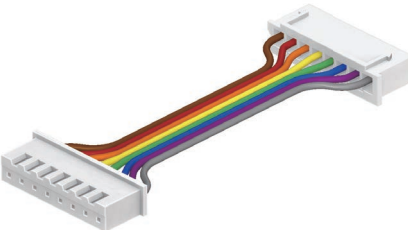
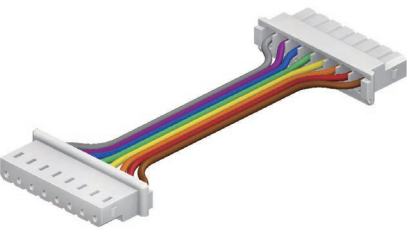

UNIT : mm

FCA-2418HJXXX2-XXX	FCA-2318HBXXX2-XXX	FCA-2318HDXXX2-XXX
 <p style="text-align: center; color: green;">RoHS Compliant</p>	 <p style="text-align: center; color: green;">RoHS Compliant</p>	 <p style="text-align: center; color: green;">RoHS Compliant</p>

2.00mm Wire to Board Housing
2.00mm Wire to Board Terminal
1.27mm Multi-Color Flat Ribbon Cable 28 AWG

2.50mm Wire to Board Housing
2.50mm Wire to Board Terminal
1.27mm Multi-Color Flat Ribbon Cable 28 AWG

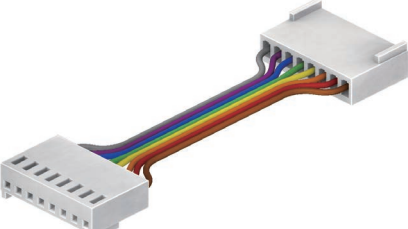
2.50mm Wire to Board Housing
2.50mm Wire to Board Terminal 28~30 AWG
1.27mm Multi-Color Flat Ribbon Cable 28 AWG

FCA-2318HJXXX2-XXX	FCA-2318HMXXX2-XXX	FCA-2318HZXXX2-XXX
 <p style="text-align: center; color: green;">RoHS Compliant</p>	 <p style="text-align: center; color: green;">RoHS Compliant</p>	 <p style="text-align: center; color: green;">RoHS Compliant</p>

2.50mm Wire to Board Housing
2.50mm Wire to Board Terminal
1.27mm Multi-Color Flat Ribbon Cable 28 AWG

2.50mm Wire to Board Housing
2.50mm Wire to Board Terminal
1.27mm Multi-Color Flat Ribbon Cable 28 AWG

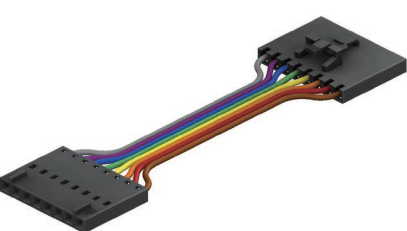
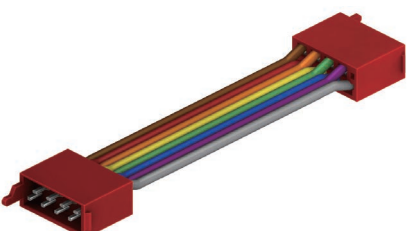
2.50mm Wire to Board Housing
2.50mm Wire to Board Terminal
1.27mm Multi-Color Flat Ribbon Cable 28 AWG

FCA-2218HXXX2-XXX	FCA-2226AXXX2-XXX	FCA-2226BXXX2-XXX
 <p style="text-align: center; color: green;">RoHS Compliant</p>	 <p style="text-align: center; color: green;">RoHS Compliant</p>	 <p style="text-align: center; color: green;">RoHS Compliant</p>

2.54mm Wire to Board Housing
2.54mm Wire to Board Terminal
1.27mm Multi-Color Flat Ribbon Cable 28 AWG

2.54mm Wire to Board Housing
2.54mm Wire to Board Terminal
1.27mm Multi-Color Flat Ribbon Cable 28 AWG

2.54mm Wire to Board Housing Double Rows
2.54mm Wire to Board Terminal
1.27mm Multi-Color Flat Ribbon Cable 28 AWG

FCA-2226BHXXX2-XXX	FCA-3750GXXX2-XXX	FCA-4409HPXXX2-XXX
 <p style="text-align: center; color: green;">RoHS Compliant</p>	 <p style="text-align: center; color: green;">RoHS Compliant</p>	 <p style="text-align: center; color: green;">RoHS Compliant</p>

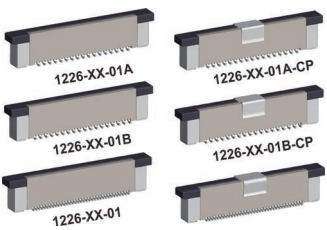
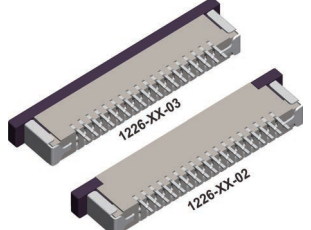
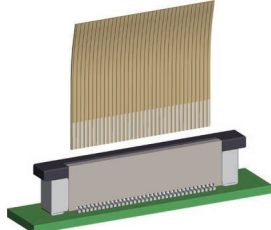
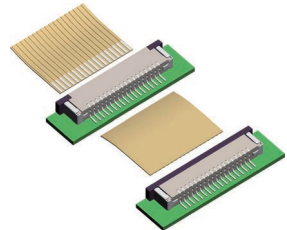
2.54mm Wire to Board Housing Double Rows
2.54mm Wire to Board Terminal
1.27mm Multi-Color Flat Ribbon Cable 28 AWG

2.54mm Wire to Board Housing
2.54mm Wire to Board Terminal Tin Plated
1.27mm Multi-Color Flat Ribbon Cable 28 AWG

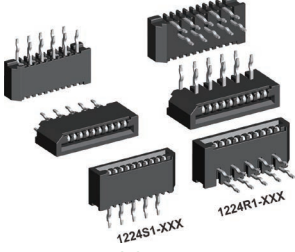
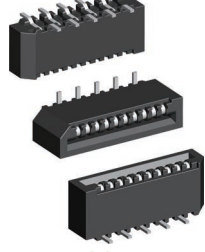
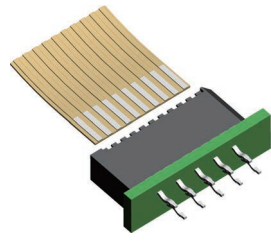
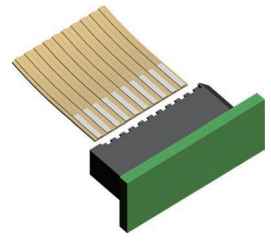
2.54mm Wire to Board Plug Housing
2.54mm Wire to Board Terminal 24~28 AWG
1.27mm Multi-Color Flat Ribbon Cable 28 AWG

0.50 / 1.00 / 1.25mm

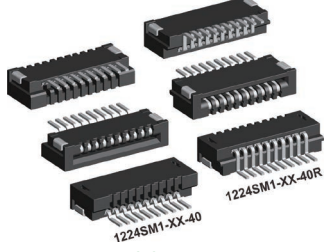
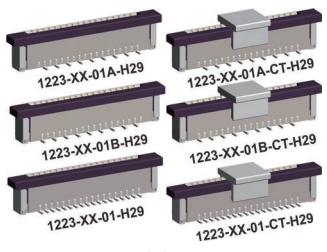
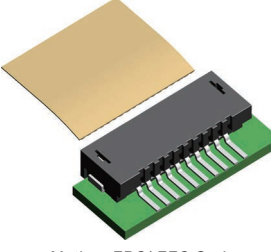
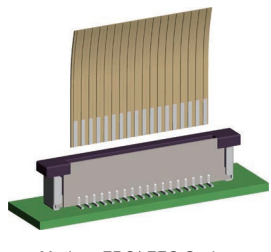
UNIT : mm

1226-XX-01X  RoHS Compliant		1226-XX-XX  RoHS Compliant	
 Mating:FPC/ FFC Series.		 Mating:FPC/ FFC Series.	

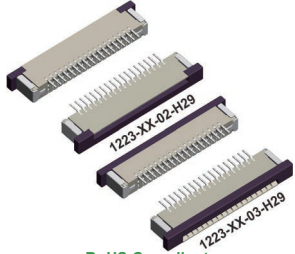
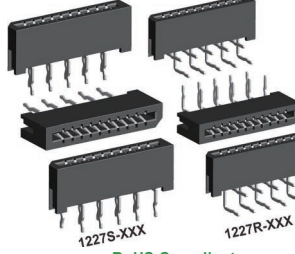
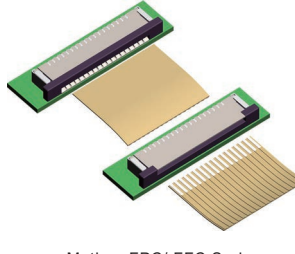
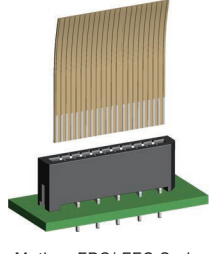
<p>1226-XX-01X</p> <ul style="list-style-type: none"> 01: Vertical Contact Type 01A: Vertical Contact A Type 01B: Vertical Contact B Type No. of Contacts 	<p>1226-XX-01X Series: 0.50mm FPC/ FFC Connector ZIF SMD Top Entry Type(H=4.4). Mating Part: 1226-XX-01X Mating FPC/ FFC Series.</p>	<p>1226-XX-XX</p> <ul style="list-style-type: none"> 02: Bottom Contact Type 03: Top Contact Type No. of Contacts 	<p>1226-XX-XX Series: 0.50mm FPC/ FFC Connector ZIF SMD Side Entry Top & Bottom Contact(H=2.0). Mating Part: 1226-XX-XX Mating FPC/ FFC Series.</p>
---	--	--	---

1224S1-XXA  RoHS Compliant		1224SM1-XX-30  RoHS Compliant	
 Mating: FPC/ FFC Series.		 Mating: FPC/ FFC Series.	

<p>1224S1-XXA</p> <ul style="list-style-type: none"> A: Standard PCB Layout B: Special PCB Layout No. of Contacts S1: Straight Type R1: Right Angle Type 	<p>1224S1-XXX Series: 1.00mm FPC/ FFC Connector NON ZIF Dip Single Contact Straight Type. Mating Part: 1224S1-XXX Mating FPC/ FFC Series.</p>	<p>1224SM1-XX-30</p> <ul style="list-style-type: none"> Vertical Contact No. of Contacts SMD Type 	<p>1224SM1-XXX-30 Series: 1.00mm FPC/ FFC Connector NON ZIF SMD Vertical Contact Single Contact Type. Mating Part: 1224SM1-XXX-30 Mating FPC/ FFC Series.</p>
---	---	--	---

1224SM1-XX-40-XX  RoHS Compliant		1223-XX-01X-H29  RoHS Compliant	
 Mating: FPC/ FFC Series.		 Mating: FPC/ FFC Series.	

<p>1224SM1-XX-40-XX</p> <ul style="list-style-type: none"> 02:Bottom Type 03:Top Type 40:Standard Type 40R:Reverse Type No. of Contacts SMD Type 	<p>1224SM1-XX-40 Series: 1.00mm FPC/ FFC Connector NON ZIF SMD Horizontal Contact Single Contact Type. Mating Part: 1224SM1-XX-40 Mating FPC/ FFC Series.</p>	<p>1223-XX-01X-H29</p> <ul style="list-style-type: none"> Height: 2.90mm 01: Vertical Contact Type 01A: Vertical Contact A Type 01B: Vertical Contact B Type No. of Contacts 	<p>1223-XX-01X Series: 1.00mm FPC/ FFC Connector ZIF SMD Top Entry Type (H=5.95). Mating Part: 1223-XX-01X Mating FPC/ FFC Series.</p>
--	---	---	--

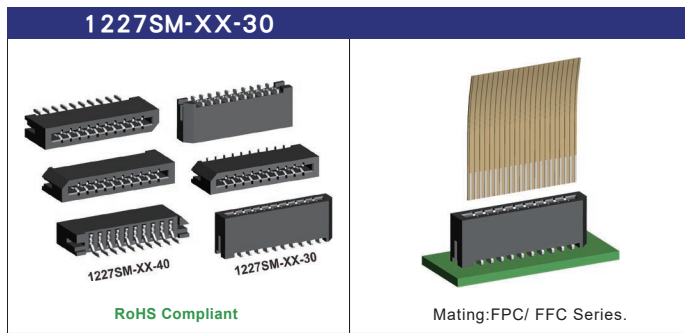
1223-XX-XX-H29  RoHS Compliant		1227S-XXA  RoHS Compliant	
 Mating: FPC/ FFC Series.		 Mating: FPC/ FFC Series.	

<p>1223-XX-XX-H29</p> <ul style="list-style-type: none"> Height: 2.90mm 02: Bottom Contact Type 03: Top Contact Type No. of Contacts 	<p>1223-XX-XX Series: 1.00mm FPC/ FFC SMD Side Entry Top & Bottom Contact(H=2.95). Mating Part: 1223-XX-XX Mating FPC/ FFC Series.</p>	<p>1227S-XXA</p> <ul style="list-style-type: none"> A: Standard PCB Layout B: Special PCB Layout No. of Contacts S: Straight Type R: Right Angle Type 	<p>1227S(R)-XXX Series: 1.25mm FPC/ FFC Connector NON ZIF Dip Double Contacts Straight Type. Mating Part: 1227S(R)-XXX Mating FPC/ FFC Series.</p>
--	--	--	--

FPC / FFC Connector Series

1.25mm

UNIT : mm

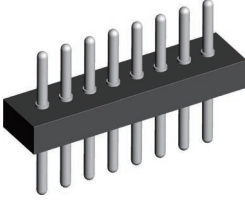
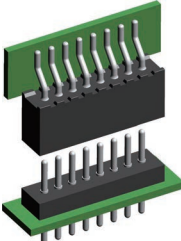
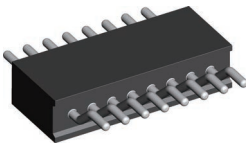
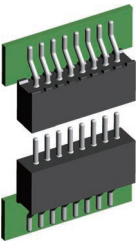


1227SM-XX-30
 30: Vertical Contact
 40: Horizontal Contact
 No. of Contacts
 SMD Type

1227SM-XX-30 Series:
 1.25mm FPC/ FFC Connector
 NON ZIF SMD Vertical Double
 Contacts Type.
 Mating Part:
 1227SM-XX-30 Mating
 FPC/ FFC Series.

1.00 / 1.27mm

UNIT : mm

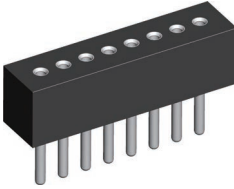
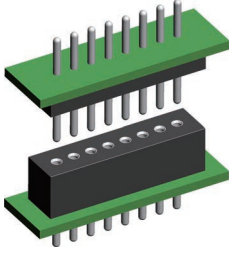
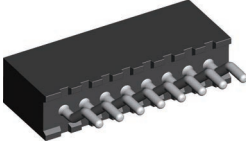
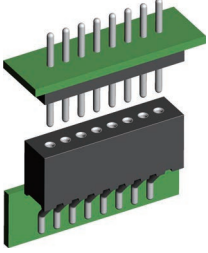
6860S-XX		6860R-XX-SM	
			
RoHS Compliant	Mating:6861 Series.	RoHS Compliant	Mating:6861 Series.

6860S-XX
No. of Contacts
Straight Type

6860S-XX Series:
1.00mm Pin Header Single Row
Straight Dip Type.
Mating Part:
6860S-XX Mating
6861 Series.

6860R-XX-SM
SM: SMD Type
Blank: Dip Type
No. of Contacts
Right Angle Type

6860R-XX-SM Series:
1.00mm Pin Header Single Row
Parallel Mount SMD Type.
Mating Part:
6860R-XX-SM Mating
6861 Series.

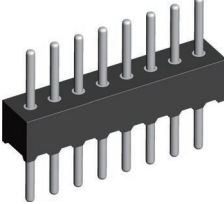
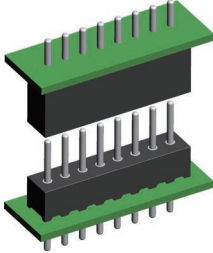
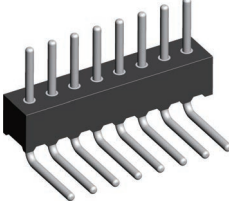
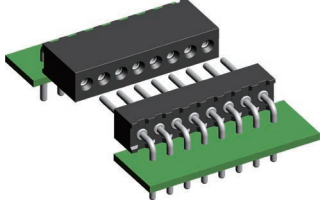
6861S-XX		6861R-XX-SM	
			
RoHS Compliant	Mating:6860 Series.	RoHS Compliant	Mating:6860 Series.

6861S-XX
No. of Contacts
Straight Type

6861S-XX Series:
1.00mm PCB Socket Single Row
Straight Dip Type.
Mating Part:
6861S-XX Mating
6860 Series.

6861R-XX-SM
SM: SMD Type
Blank: Dip Type
No. of Contacts
Right Angle Type

6861R-XX-SM Series:
1.00mm PCB Socket Single Row
Parallel Mount SMD Type.
Mating Part:
6861R-XX-SM Mating
6860 Series.

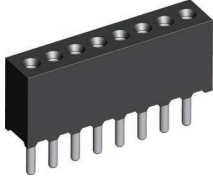
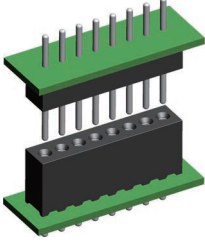
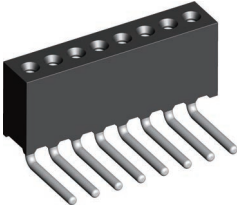
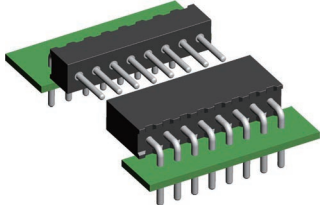
6850S-XX		6850R-XX	
			
RoHS Compliant	Mating:6851 Series.	RoHS Compliant	Mating:6851 Series.

6850S-XX
No. of Contacts
Straight Type

6850S-XX Series:
1.27mm Pin Header Single Row
Straight Dip Type.
Mating Part:
6850S-XX Mating
6851 Series.

6850R-XX
No. of Contacts
Right Angle Type

6850R-XX Series:
1.27mm Pin Header Single Row
Right Angle Dip Type.
Mating Part:
6850R-XX Mating
6851 Series.

6851S-XX		6851R-XX	
			
RoHS Compliant	Mating:6861 Series.	RoHS Compliant	Mating:6850 Series.

6851S-XX
No. of Contacts
Straight Type

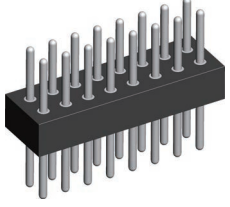
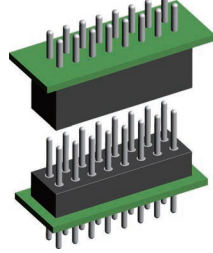
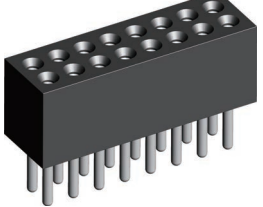
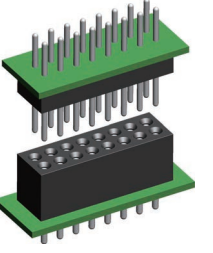
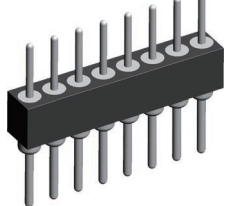
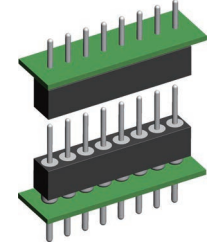
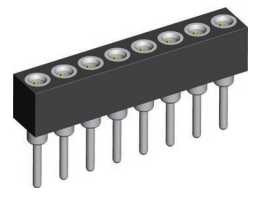
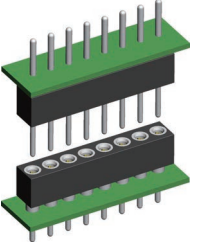
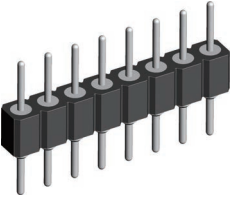
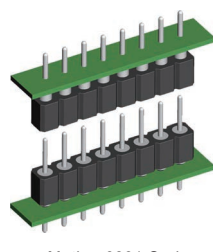
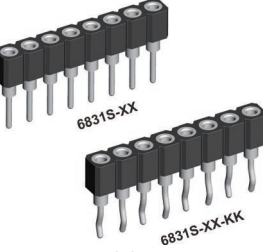
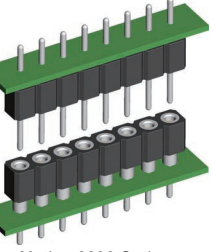
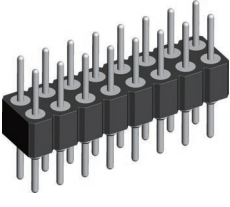
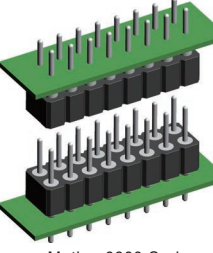
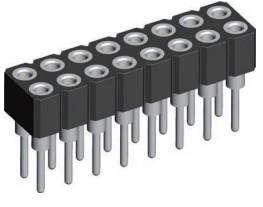
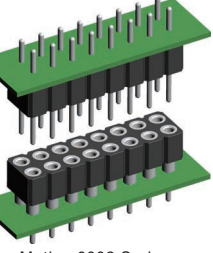
6851S-XX Series:
1.27mm PCB Socket Single Row
Straight Dip Type.
Mating Part:
6851S-XX Mating
6850 Series.

6851R-XX
No. of Contacts
Right Angle Type

6851R-XX Series:
1.27mm PCB Socket Single Row
Right Angle Dip Type.
Mating Part:
6851R-XX Mating
6850 Series.

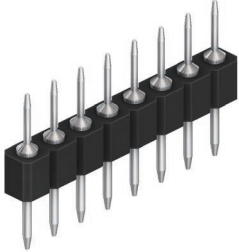
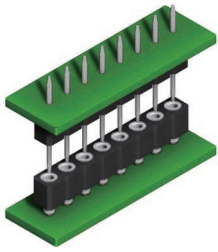

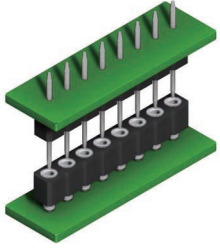
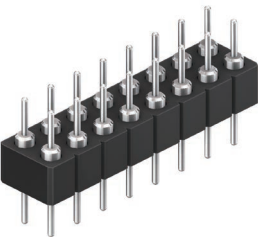
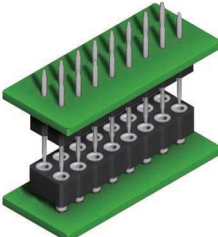
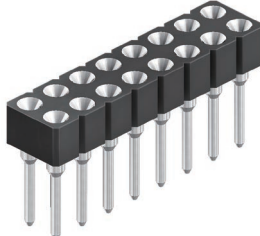
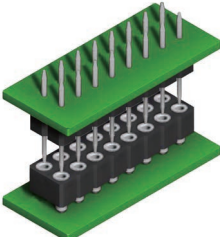
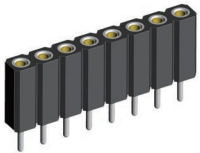
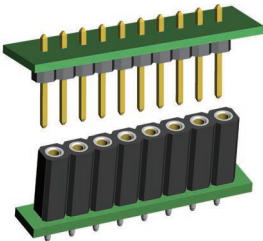
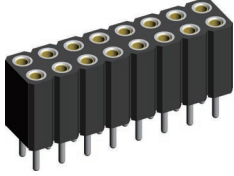
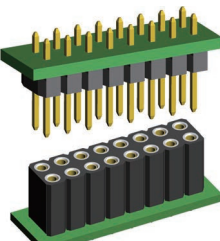
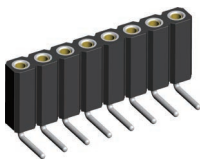
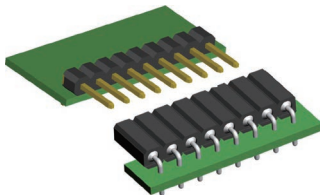

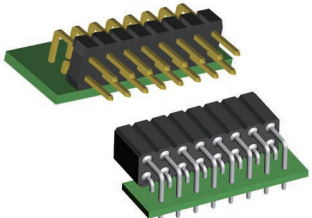
1.27 / 1.778 / 2.00mm

UNIT : mm

6852S-XX		6853S-XX	
			
RoHS Compliant	Mating:6853 Series.	RoHS Compliant	Mating:6852 Series.
6852S-XX No. of Contacts Straight Type	6852S-XX Series: 1.27mm Pin Header Double Rows Straight Dip Type. Mating Part: 6852S-XX Mating 6853 Series.	6853S-XX No. of Contacts Straight Type	6853S-XX Series: 1.27mm PCB Socket Double Rows Straight Dip Type. Mating Part: 6853S-XX Mating 6852 Series.
1778P-XX		1778S-XX	
			
RoHS Compliant	Mating:1778S Series.	RoHS Compliant	Mating:1778P Series.
1778P-XX No. of Contacts Pin Header	1778P-XX Series: 1.778mm Pin Header Single Row Straight Dip Type. Mating Part: 1778P-XX Mating 1778S Series.	1778S-XX No. of Contacts Socket Type	1778S-XX Series: 1.778mm PCB Socket Single Row Straight Dip Type. Mating Part: 1778S-XX Mating 1778P Series.
6830S-XX		6831S-XX-KK	
			
RoHS Compliant	Mating:6831 Series.	RoHS Compliant	Mating:6830 Series.
6830S-XX No. of Contacts Straight Type	6830S-XX Series: 2.00mm Pin Header Single Row Straight Dip Type. Mating Part: 6830S-XX Mating 6831 Series.	6831S-XX-KK KK: With Kink Blank; Standard No. of Contacts Straight Type	6831S-XX Series: 2.00mm PCB Socket Single Row Straight Dip Type. Mating Part: 6831S-XX Mating 6830 Series.
6832S-XX		6833S-XX	
			
RoHS Compliant	Mating:6833 Series.	RoHS Compliant	Mating:6832 Series.
6832S-XX No. of Contacts Straight Type	6832S-XX Series: 2.00mm Pin Header Double Rows Straight Dip Type. Mating Part: 6832S-XX Mating 6833 Series.	6833S-XX No. of Contacts Straight Type	6833S-XX Series: 2.00mm PCB Socket Double Rows Straight Dip Type. Mating Part: 6833S-XX Mating 6832 Series.

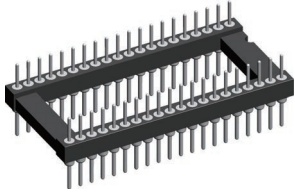
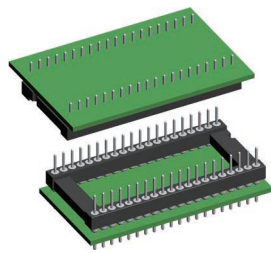
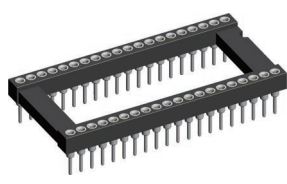
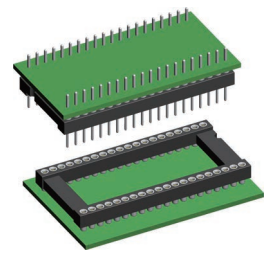
2.54mm

UNIT : mm

6604P-XX-121		6604S-XX	
			
RoHS Compliant	Mating:6604S Series.	RoHS Compliant	Mating:6604P Series.
<p>6604P-XX-121</p> <ul style="list-style-type: none"> Pin Length No. of Contacts Plug 	<p>6604P-XX-121 Series: 2.54mm PCB Socket Single Row Plug Straight Dip Type. Mating Part: 6604P-XX-121 Mating 6604S Series.</p>	<p>6604S-XX</p> <ul style="list-style-type: none"> No. of Contacts Straight Type 	<p>6604S-XX Series: 2.54mm PCB Socket Single Row Plug Straight Dip Type. Mating Part: 6604S-XX Mating 6604P Series.</p>
6604PB-XX-121		6604SB-XX	
			
RoHS Compliant	Mating:6604SB-XX Series.	RoHS Compliant	Mating:6604PB-XX Series.
<p>6604PB-XX-121</p> <ul style="list-style-type: none"> Pin Length No. of Contacts Plug & Double Rows 	<p>6604PB-XX-121 Series: 2.54mm Pin Header Double Rows Straight Dip Type. Mating Part: 6604PB-XX-121 Mating 6604SB Series.</p>	<p>6604SB-XX</p> <ul style="list-style-type: none"> No. of Contacts Socket & Double Rows 	<p>6604SB-XX Series: 2.54mm PCB Socket Double Rows Straight Dip Type. Mating Part: 6604SB-XX Mating 6604PB Series.</p>
6801S-XX-70		6803S-XX-70	
			
RoHS Compliant	Mating:2211S Series.	RoHS Compliant	Mating:2213S Series.
<p>6801S-XX-70</p> <ul style="list-style-type: none"> Insulator Height 70=7.00mm 80=8.00mm No. of Contacts Straight Type 	<p>6801S-XX-70 Series: 2.54mm PCB Socket Single Row Straight Dip Type. Mating Part: 6801S-XX-70 Mating 2211S Series.</p>	<p>6803S-XX-70</p> <ul style="list-style-type: none"> Insulator Height 70=7.00mm No. of Contacts (4 To 80 Ways) Straight Type 	<p>6803S-XX-70 Series: 2.54mm PCB Socket Double Rows Straight Dip Type. Mating Part: 6803S-XX-70 Mating 2213S Series.</p>
7801R-XX-70		7803R-XX-70	
			
RoHS Compliant	Mating:2211R Series.	RoHS Compliant	Mating:2213R Series.
<p>7801R-XX-70</p> <ul style="list-style-type: none"> Insulator Height 70=7.00mm No. of Contacts Right Angle Type 	<p>7801R-XX-70 Series: 2.54mm PCB Socket Single Row Right Angle Dip Type. Mating Part: 7801R-XX-70 Mating 2211R Series.</p>	<p>7803R-XX-70</p> <ul style="list-style-type: none"> Insulator Height 70=7.00mm No. of Contacts (4 To 80 Ways) Right Angle Type 	<p>7803R-XX-70 Series: 2.54mm PCB Socket Double Rows Right Angle Dip Type. Mating Part: 7803R-XX-70 Mating 2213R Series.</p>

1.778 / 2.54mm

UNIT : mm

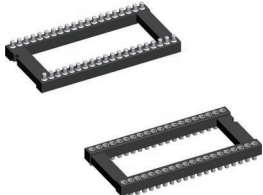
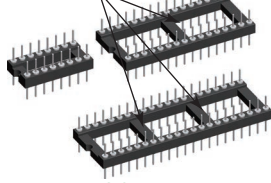
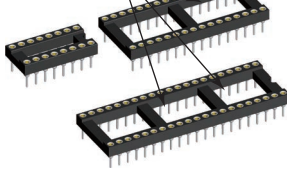
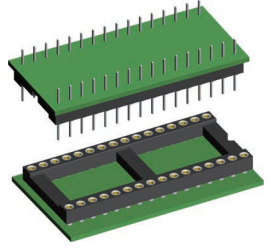
1778P-XXX-XX		1778MC-XX-XX	
			
RoHS Compliant	Mating: 1778MC-XX-XX Series.	RoHS Compliant	Mating: 1778P-XXG-XX Series.

1778P-XXX-XX
 Row to Row Space
 03: 7.62/ 04: 10.16
 06: 15.24/ 075: 19.05mm
 G: Gold/ T: Tin
 No. of Contacts
 Machine Pin Header

1778P Series:
 1.778mm Machine Pin Header.
 Mating Part:
 1778P-XXX-XX Mating
 1778MC Series.

1778MC-XX-XX
 Row to Row Space
 03: 7.62/ 04: 10.16
 06: 15.24/ 075: 19.05mm
 No. of Contacts
 IC Socket Machine Pin

1778MC Series:
 1.778mm IC Socket Machine Pin.
 Mating Part:
 1778MC-XX-XX Mating
 1778P-XXG-XX Series.

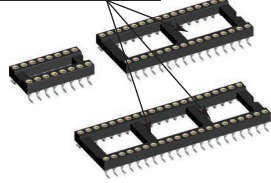
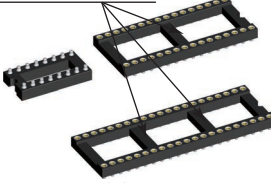
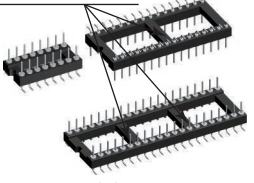
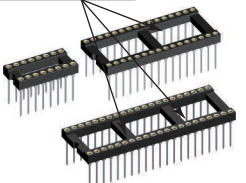
1778MC-XX-XX-114	2227P-XXX-XX	2227MC-XX-XX	
			
RoHS Compliant	RoHS Compliant	RoHS Compliant	Mating: 2227P-XXG-XX Series.

1778MC-XX-XX-114
 SMD Type
 Row to Row Space:
 03: 7.62/ 04: 10.16
 06: 15.24/ 075: 19.05mm
 No. of Contacts
 Machine Pin

2227P-XXX-XX
 Row to Row Space
 03: 7.62/ 06: 15.24mm
 G: Gold/ T: Tin
 No. of Contacts
 Machine Pin Header

2227MC-XX-XX
 Row to Row Space
 03: 7.62/ 06: 15.24mm
 No. of Contacts
 IC Socket Machine Pin

2227MC Series:
 2.54mm IC Socket Machine Pin.
 Mating Part:
 2227MC-XX-XX Mating
 2227P-XXG-XX Series.

2227MC-XX-XX-110	2227MC-XX-XX-114	2227MC-XX-XX-150	2227MC-XXWR-XX
			
RoHS Compliant	RoHS Compliant	RoHS Compliant	RoHS Compliant

2227MC-XX-XX-110
 SMD Type
 Row to Row Space:
 03: 7.62/ 06: 15.24mm
 No. of Contacts
 Machine Pin





2227MC-XX-XX-114
 SMD Type
 Row to Row Space:
 03: 7.62/ 06: 15.24mm
 No. of Contacts
 Machine Pin

2227MC-XX-XX-150
 SMD Type
 Row to Row Space:
 03: 7.62/ 06: 15.24mm
 No. of Contacts
 Machine Pin


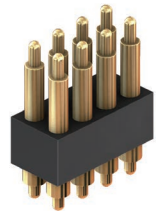
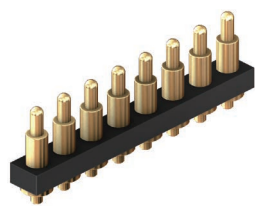
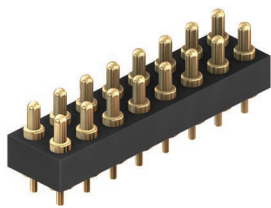
2227MC-XXWR-XX
 Row to Row Space:
 03: 7.62/ 06: 15.24mm
 Wire Wrap
 No. of Contacts
 Machine Pin

Double Springs / Through Hole / SMT / Solder Type

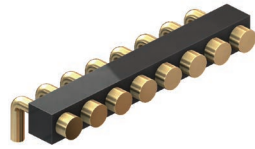
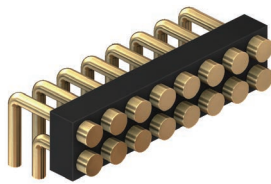
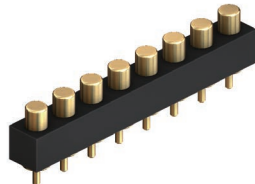
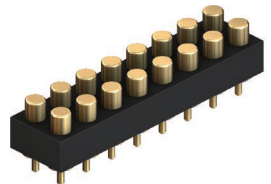
UNIT : mm

6901G-DS-XXXX	6901G-TH-XXXX	6901G-SM-XXXX	6901G-SD-XXXX
			
RoHS Compliant	RoHS Compliant	RoHS Compliant	RoHS Compliant

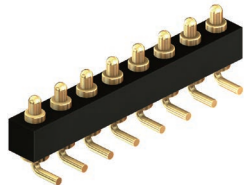
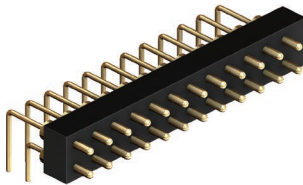
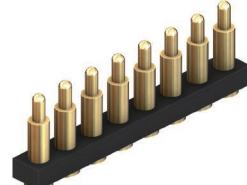
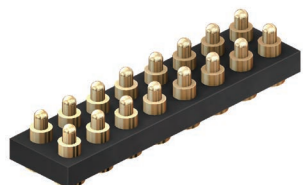
6901G-DS-XXXX	Special OD & Length Double Spring	6901G-TH-XXXX	Special OD & Length Through Hole	6901G-SM-XXXX	Special OD & Length SMT Type	6901G-SD-XXXX	Special OD & Length Solder Type
---------------	--------------------------------------	---------------	-------------------------------------	---------------	---------------------------------	---------------	------------------------------------

6901DS-XXX-XXG-XXXX	6903DS-XXX-XXG-XXXX	6901S-XXX-XXG-XXXX	6903S-XXX-XXG-XXXX
			
RoHS Compliant	RoHS Compliant	RoHS Compliant	RoHS Compliant

6901DS-XXX-XXG-XXXX	Special Length No. of Contacts Pitch Double Spring Plug Single Row	6903DS-XXX-XXG-XXXX	Special Length No. of Contacts Pitch Double Spring Plug Double Rows	6901S-XXX-XXG-XXXX	Special Length No. of Contacts Pitch Straight Type Plug Single Row	6903S-XXX-XXG-XXXX	Special Length No. of Contacts Pitch Straight Type Plug Double Rows
---------------------	---	---------------------	--	--------------------	---	--------------------	--

6902R-XXX-XXG-XXXX	6904R-XXX-XXG-XXXX	6902S-XXX-XXG-XXXX	6904S-XXX-XXG-XXXX
			
RoHS Compliant	RoHS Compliant	RoHS Compliant	RoHS Compliant

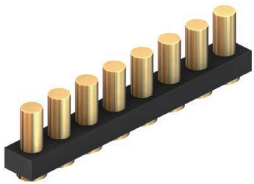
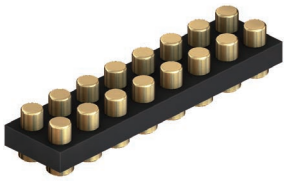

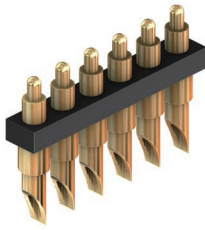
6902R-XXX-XXG-XXXX	Special Length No. of Contacts Pitch R/A Type Socket Single Row	6904R-XXX-XXG-XXXX	Special Length No. of Contacts Pitch R/A Type Socket Double Rows	6902S-XXX-XXG-XXXX	Special Length No. of Contacts Pitch Straight Type Socket Single Row	6904S-XXX-XXG-XXXX	Special Length No. of Contacts Pitch Straight Type Socket Double Rows
--------------------	--	--------------------	---	--------------------	---	--------------------	--

6901R-XXX-XXG-XXXX	6903R-XXX-XXG-XXXX	6901SM-XXX-XXG-XXXX	6903SM-XXX-XXG-XXXX
			
RoHS Compliant	RoHS Compliant	RoHS Compliant	RoHS Compliant

6901R-XXX-XXG-XXXX	Special Length No. of Contacts Pitch R/A Type Plug Single Row	6903R-XXX-XXG-XXXX	Special Length No. of Contacts Pitch R/A Type Plug Double Rows	6901SM-XXX-XXG-XXXX	Special Length No. of Contacts Pitch SMT Type Plug Single Row	6903SM-XXX-XXG-XXXX	Special Length No. of Contacts Pitch SMT Type Plug Double Rows
--------------------	--	--------------------	---	---------------------	--	---------------------	---

SMT / Solder Type

UNIT : mm

6902SM-XXX-XXG-XXXX	6904SM-XXX-XXG-XXXX	6901SMR-XXX-XXG-XXXX	6901SD-XXX-XXG-XXXX
 <p style="text-align: center; color: green;">RoHS Compliant</p>	 <p style="text-align: center; color: green;">RoHS Compliant</p>	 <p style="text-align: center; color: green;">RoHS Compliant</p>	 <p style="text-align: center; color: green;">RoHS Compliant</p>
<p>6902SM-XXX-XXG-XXXX</p> <ul style="list-style-type: none"> Special Length No. of Contacts Pitch SMT Type Socket Single Row 	<p>6904SM-XXX-XXG-XXXX</p> <ul style="list-style-type: none"> Special Length No. of Contacts Pitch SMT Type Socket Double Rows 	<p>6901SMR-XXX-XXG-XXXX</p> <ul style="list-style-type: none"> Special Length No. of Contacts Pitch R/A SMT Type Plug Single Row 	<p>6901SD-XXX-XXG-XXXX</p> <ul style="list-style-type: none"> Special Length No. of Contacts Pitch Solder Type Plug Single Row




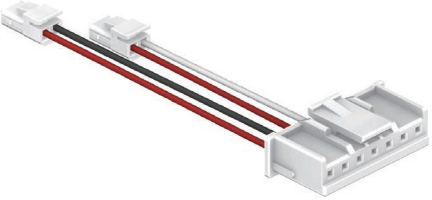


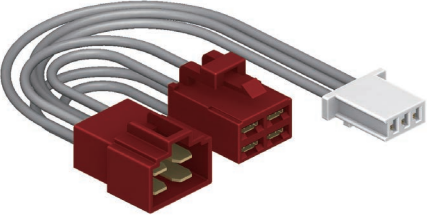

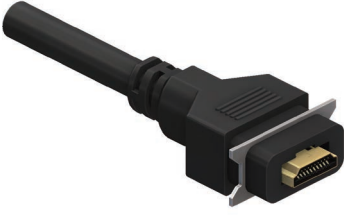
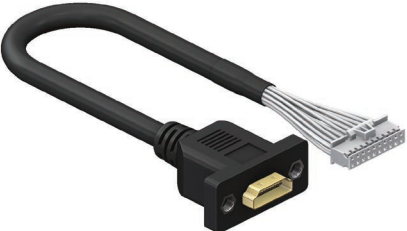




Cable Assembly Series

UNIT : mm

<p>DP-001</p>  <p>RoHS Compliant</p>	<p>DP-002</p>  <p>RoHS Compliant</p>	<p>FCA-001</p>  <p>RoHS Compliant</p>
<p>FCA-002</p>  <p>RoHS Compliant</p>	<p>FCA-003</p>  <p>RoHS Compliant</p>	<p>FCA-004</p>  <p>RoHS Compliant</p>
<p>FCA-005</p>  <p>RoHS Compliant</p>	<p>HCA-001</p>  <p>RoHS Compliant</p>	<p>HCA-002</p>  <p>RoHS Compliant</p>
<p>HCA-003</p>  <p>RoHS Compliant</p>	<p>HCA-004</p>  <p>RoHS Compliant</p>	<p>HCA-005</p>  <p>RoHS Compliant</p>
<p>HCA-006</p>  <p>RoHS Compliant</p>	<p>HCA-007</p>  <p>RoHS Compliant</p>	<p>HCA-008</p>  <p>RoHS Compliant</p>

Cable Assembly Series

UNIT : mm

<p>HCA-009</p>  <p>RoHS Compliant</p>	<p>HCA-010</p>  <p>RoHS Compliant</p>	<p>HCA-011</p>  <p>RoHS Compliant</p>
<p>HCA-012</p>  <p>RoHS Compliant</p>	<p>HCA-013</p>  <p>RoHS Compliant</p>	<p>HCA-014</p>  <p>RoHS Compliant</p>
<p>HCA-015</p>  <p>RoHS Compliant</p>	<p>HDMI-001</p>  <p>RoHS Compliant</p>	<p>HDMI-002</p>  <p>RoHS Compliant</p>
<p>HDMI-003</p>  <p>RoHS Compliant</p>	<p>HDMI-004</p>  <p>RoHS Compliant</p>	<p>HDMI-005</p>  <p>RoHS Compliant</p>
<p>MCM-001</p>  <p>RoHS Compliant</p>	<p>MCM-002</p>  <p>RoHS Compliant</p>	<p>MCM-003</p>  <p>RoHS Compliant</p>

Cable Assembly Series

UNIT : mm

<p>RCM-001</p>  <p>RoHS Compliant</p>	<p>RCM-002</p>  <p>RoHS Compliant</p>	<p>RCM-003</p>  <p>RoHS Compliant</p>
<p>RCM-004</p>  <p>RoHS Compliant</p>	<p>RCM-005</p>  <p>RoHS Compliant</p>	<p>RCM-006</p>  <p>RoHS Compliant</p>
<p>RCM-007</p>  <p>RoHS Compliant</p>	<p>RCM-008</p>  <p>RoHS Compliant</p>	<p>RCM-009</p>  <p>RoHS Compliant</p>
<p>RCM-010</p>  <p>RoHS Compliant</p>	<p>RCM-011</p>  <p>RoHS Compliant</p>	<p>RCM-012</p>  <p>RoHS Compliant</p>
<p>RCM-013</p>  <p>RoHS Compliant</p>	<p>RCM-014</p>  <p>RoHS Compliant</p>	<p>RCM-015</p>  <p>RoHS Compliant</p>

Cable Assembly Series

UNIT : mm

<p>RCM-016</p>  <p>RoHS Compliant</p>	<p>RCM-017</p>  <p>RoHS Compliant</p>	<p>RCM-018</p>  <p>RoHS Compliant</p>
<p>RCM-019</p>  <p>RoHS Compliant</p>	<p>STPM-001</p>  <p>RoHS Compliant</p>	<p>WPM-001</p>  <p>RoHS Compliant</p>
<p>RFCA-001</p>  <p>RoHS Compliant</p>		

Taiwan Head Office

2F., No. 184, Sec. 4, Chengde Rd., Shilin Dist., Taipei City 111, Taiwan

台北市士林區承德路四段184號2樓

Tel : +886-2-28802631 / +886-2-28819094

Fax : +886-2-28802710 / +886-2-28802888

E-mail : sales@neltron.com.tw

Taiwan Factory

No. 198-116, Sec. 2, Zhong'ai Rd., Guanyin Dist., Taoyuan City 328452, Taiwan

桃園市觀音區忠愛路二段198之116號

Tel : +886-3-4988866

Fax : +886-3-4981166

Hong Kong Sales Office

Room 2310, Peninsula Tower, 538 Castle Peak Road, Kowloon, Hong Kong

香港九龍長沙灣青山道538號半島大廈2310室

Tel : +852-2489-9612

Fax : +852-2489-9363

E-mail : sales@neltron.com.hk

China Factory

3/F, Xinaojia Intelligent Park, No. 20 Linchang Road, Pingshan, Tangxia Town,

Dongguan City, China

廣東省東莞市塘廈鎮平山林場路20號 鑫奧佳科園1棟301室

Tel : +86-769-8880-0169

E-mail : sales@neltron.com.hk

